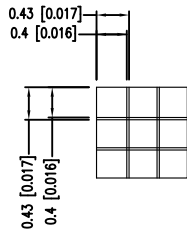
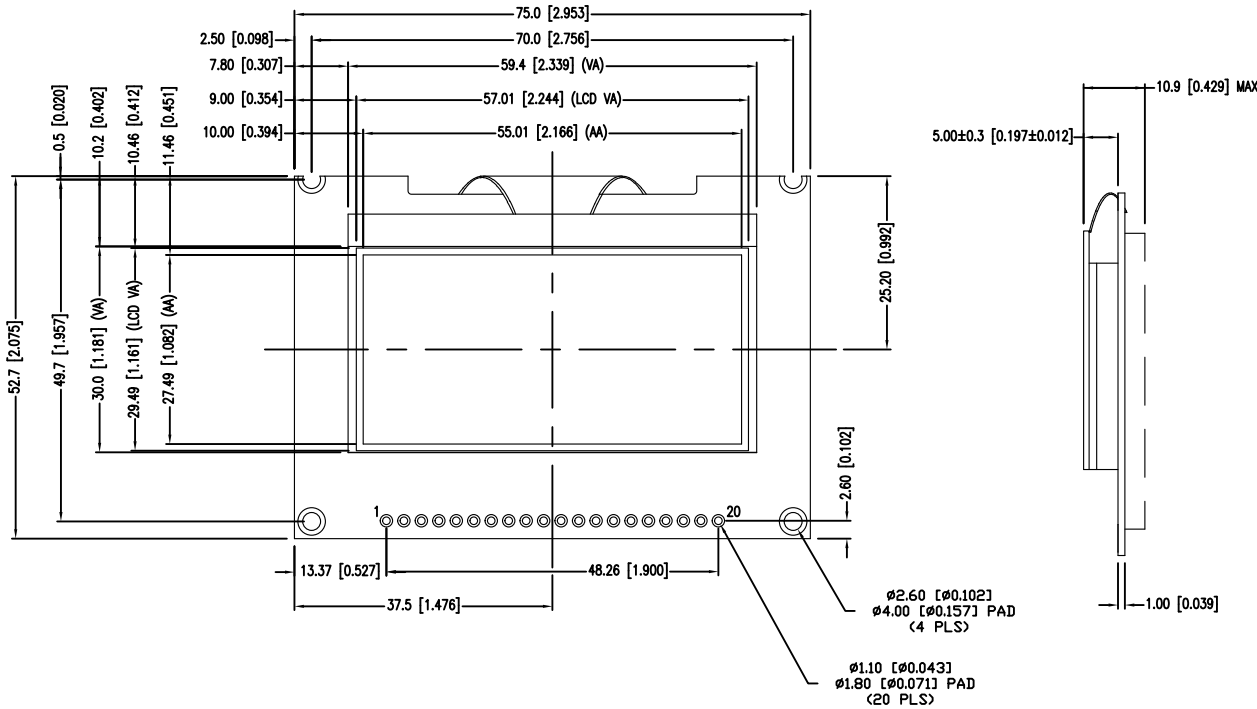
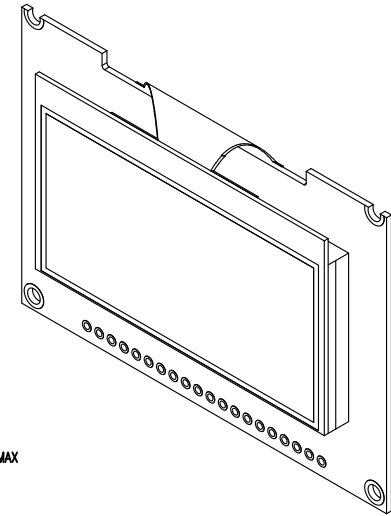


PART NUMBER	LOD-H12864GP-G	REV.	A
REV	DESCRIPTION	DATE	
A	ECN-Lumex201700090	2017.10.18	



CHARACTER DETAIL  
SCALE: 10:1



NOTES:

1. BLACK BACKGROUND.
2. PIXEL COLOR GREEN.
3. MINIMUM VIEWING ANGLE OF 65° FROM 12,3,6,9, 0'CLOCK.
4. US2066 CONTROLLER.
5. RoHS COMPLIANT.

CAUTION: STATIC SENSITIVE DEVICE  
FOLLOW PROPER E.S.D. HANDLING PROCEDURES  
WHEN WORKING WITH THIS PART.

\*UNLESS OTHERWISE SPECIFIED TOLERANCES PER DECIMAL PRECISION ARE: X=±1 (±0.039), X.X=±0.5 (±0.020), X.XX=±0.25 (±0.010), X.XXX=±0.127 (±0.005). LEAD SIZE=±0.05 (±0.002), LEAD LENGTH=±0.75 (±0.030). MIN= +DECIMAL PRECISION -0.00, MAX.= +0.00 -DECIMAL PRECISION



425 N. GARY AVE.  
CAROL STREAM, IL 60188-4900  
PHONE: +1.800.278.5666  
FAX: +1.630.315.2152  
WEB: WWW.ITWCS.COM

128 X 64 GRAPHIC OLED MODULE, 3.OV, GREEN PIXEL COLOR, W/ BLACK BACKGROUND

\*\*THE SPECIFICATIONS MAY CHANGE AT ANY TIME WITHOUT NOTICE DUE TO NEW MATERIALS OR PRODUCT IMPROVEMENT.\*\*

CONFIDENTIAL INFORMATION  
THE INFORMATION CONTAINED IN THIS DOCUMENT IS THE PROPERTY OF LUMEX INC. EXCEPT AS SPECIFICALLY AUTHORIZED IN WRITING BY LUMEX INC., THE HOLDER OF THIS DOCUMENT SHALL KEEP ALL INFORMATION CONTAINED HEREIN CONFIDENTIAL AND SHALL PROTECT SAME IN WHOLE OR IN PART FROM DISCLOSURE AND DISSEMINATION TO ALL THIRD PARTIES.

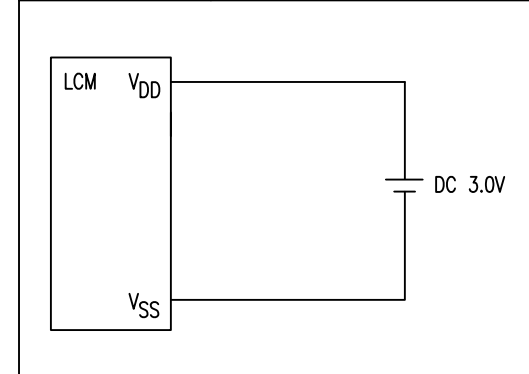
DATE:	10.18.17	DRAWN BY:	C.C.
PAGE:	1 OF 2	CHKD BY:	G.Y.
SCALE:	NTS	APRVD BY:	E.C.
UNIT:	mm [INCH]		



PIN CONFIGURATION

PIN NO.	SYMBOL	LEVEL	DESCRIPTION
1	V <sub>DD</sub>	3.0V	SUPPLY VOLTAGE FOR LOGIC
2	V <sub>SS</sub>	0V	SUPPLY VOLTAGE FOR LOGIC GROUND
3	NC	-	-
4	DB0	H/L	DATA BIT 0
5	DB1	H/L	DATA BIT 1
6	DB2	H/L	DATA BIT 2
7	DB3	H/L	DATA BIT 3
8	DB4	H/L	DATA BIT 4
9	DB5	H/L	DATA BIT 5
10	DB6	H/L	DATA BIT 6
11	DB7	H/L	DATA BIT 7
12	CSI	2-0	CHIP SELECTION PIN
13	NC	-	NO CONNECTION
14	/RST	-	HARDWARE RESET PIN
15	R/W	H/L	H:READ (MPU-->MODULE);L:WRITE(MPU-->MODULE)
16	D/I	H/L	H: DATA, L: COMMAND
17	E	H,H >L	CHIP ENABLE SIGNAL
18	V <sub>CC</sub>	13.0V	SUPPLY VOLTAGE FOR PANEL(POSITIVE VOLTAGE OUTPUT)
19	NC	-	-
20	NC	-	-

BLOCK DIAGRAM 128 X 64, 1/64 DUTY, 1/9 BIAS



ELECTRICAL/OPTO CHARACTERISTICS

V<sub>DD</sub>=2.8V , V<sub>CC</sub>=13.0V, 80cd/m<sup>2</sup>, 50% PIXEL ON

ITEM	SYMBOL	CONDITION	STANDARD VALUE			UNIT
			MIN.	TYP.	MAX.	
SUPPLY VOLTAGE FOR LOGIC	V <sub>DD</sub> -V <sub>SS</sub>	-	2.8	3.0	3.3	V
SUPPLY VOLTAGE FOR PANEL	V <sub>CC</sub> -V <sub>SS</sub>	-	12.5	13.0	13.5	V
INPUT VOLTAGE	HIGH	V <sub>IH</sub>	0.8V <sub>DD</sub>	-	V <sub>DD</sub>	V
	LOW	V <sub>IL</sub>	0	-	0.2V <sub>DD</sub>	V
OUTPUT VOLTAGE	HIGH	V <sub>OH</sub>	0.9V <sub>DD</sub>	-	V <sub>DD</sub>	V
	LOW	V <sub>OL</sub>	0	-	0.1V <sub>DD</sub>	V
OLED DRIVING CURRENT	IDD	-	-	50	-	mA
VIEW ANGLE			160	-	-	deg
DARK ROOM CONTRAST			-	2000:1	-	-
BRIGHTNESS W/POLARIZER			60	80	-	cd/m <sup>2</sup>

ABSOLUTE MAXIMUM RATINGS

ITEM	SYMBOL	TEST CONDITION	STANDARD VALUE		UNIT
			MIN	MAX	
SUPPLY VOLTAGE FOR LOGIC	V <sub>DD</sub>	T <sub>a</sub> =25°C	-0.3	4.0	V
SUPPLY VOLTAGE FOR PANEL	V <sub>CC</sub>	T <sub>a</sub> =25°C	0	15	V
HUMIDITY			-	85	%
OPERATING TEMPERATURE*	Topr	-	-40	70	°C
STORAGE TEMPERATURE**	Tstg	-	-40	85	°C

\*OPERATING LIFE 40,000 HRS  
 END OF LIFE IS SPECIFIED AS 50 %OF INITIAL BRIGHTNESS  
 \*\*LONG TIME STORAGE ENVIRONMENT REQUIRED  
 TEMPERATURE: 23±5°C  
 HUMIDITY: 10±5% RH

\*BRIGHTNESS=80cd/m<sup>2</sup> , T<sub>a</sub>=25°C, 60% RH, V<sub>DD</sub>=5.0V, V<sub>CC</sub>=12.0V, 100% DISPLAY AREA TURN ON.

\*UNLESS OTHERWISE SPECIFIED TOLERANCES PER DECIMAL PRECISION ARE: X=±1 (±0.039), X.X=±0.5 (±0.020), X.XX=±0.25 (±0.010), X.XXX=±0.127 (±0.005). LEAD SIZE=±0.05 (±0.002), LEAD LENGTH=±0.75 (±0.030). MIN.= +DECIMAL PRECISION MAX.= +0.00 -DECIMAL PRECISION



425 N. GARY AVE.  
 CAROL STREAM, IL 60188-4900  
 PHONE: +1.800.278.5666  
 FAX: +1.630.315.2152  
 WEB: WWW.ITWCCS.COM

128 X64 GRAPHIC OLED MODULE, 3.0V, GREEN PIXEL COLOR, W/ BLACK BACKGROUND

\*\*THE SPECIFICATIONS MAY CHANGE AT ANY TIME WITHOUT NOTICE DUE TO NEW MATERIALS OR PRODUCT IMPROVEMENT.\*\*

CONFIDENTIAL INFORMATION  
 THE INFORMATION CONTAINED IN THIS DOCUMENT IS THE PROPERTY OF LUMEX INC. EXCEPT AS SPECIFICALLY AUTHORIZED IN WRITING BY LUMEX INC., THE HOLDER OF THIS DOCUMENT SHALL KEEP ALL INFORMATION CONTAINED HEREIN CONFIDENTIAL AND SHALL PROTECT SAME IN WHOLE OR IN PART FROM DISCLOSURE AND DISSEMINATION TO ALL THIRD PARTIES.

DATE: 10.18.17	DRAWN BY: C.C.
PAGE: 2 OF 2	CHKD BY: G.Y.
SCALE: NTS	APRVD BY: E.C.
UNIT: mm [INCH]	(Pb)