



FEATURES

- ▶ Display hold function standard
- ▶ 3½ digits with 0.56" RED or GREEN LED
- ▶ 10 wire harness included
- ▶ Gasket and clamp provided for NEMA4, NEMA12 & IP66 applications
- ▶ User-selectable decimal points

SPECIFICATIONS

DISPLAY

Digits: 3 ½ (±1999 count)
 Type: 7- segment LED (red or green)
 Digit Height: .56 in (14.2 mm)
 Polarity: automatic "-" for neg input
 Decimal Point: 3 position selectable
 Overrange: three lower order digits blank for inputs >1999 & < -1999

SIGNAL INPUTS

Configuration: bipolar, differential
 Full-Scale Input: ±200 mV, ±2 V, ±20 V
 Input Offset Adjustment: auto zero
 Input Impedance: >100 MΩ (±200 mV), -1 MΩ (other ranges)
 Common Mode Range: ±1 VDC
 Common Mode Rejection: >86 dB
 Protection: ±350 VDC (±100 VDC for 200 mV range)
 Input Bias Current: 1 pA typical, 100 pA max
 Control Inputs: decimal point select, hold, span adjust trimpot

PERFORMANCE

Sampling Rate: 3.3 readings / seconds
 Accuracy: ± (0.1% + 2 counts) typical
 ± (0.2% + 2 counts) max
 Warmup, typical: 10 min
 Temperature Drift, typical: 100 ppm / °C

POWER SUPPLY

Supply Voltage: +5 VDC ±5%
 Supply Current, typical: 200 mA

ENVIRONMENT

Operating Temperature: 0 to 50°C
 Storage Temperature: -10 to 60°C
 Relative Humidity: 0 to 95% non-condensing

PHYSICAL

Package Style: NEMA bezel mount
 Dimensions: 3.09 x 1.5 x .66"
 Panel Cutout: 2.83 x 1.26"
 Weight: 1.0 oz
 Connector: J1C-10 or C10-5 optional

CONNECTION:

10 pin

ORDERING INFO

PART NUMBER	METER COLOR	METER POWER
DK611	GREEN	200mV DC
DK612	GREEN	2VDC
DK613	GREEN	20VDC
DK614	RED	200mV DC
DK615	RED	2V DC
DK616	RED	20V DC

ACCESSORIES

C10-5	5" - 10 Pin Connector / Wire Assembly
J1C10	12" - 10 Pin Connector / Wire Assembly
PW2-5	Regulated 120V AC to 5V DC Power Supply
PW1.0	24V AC to adjustable DC output
CPW1.5B	24V AC to adjustable DC output
CVC	Calibrator

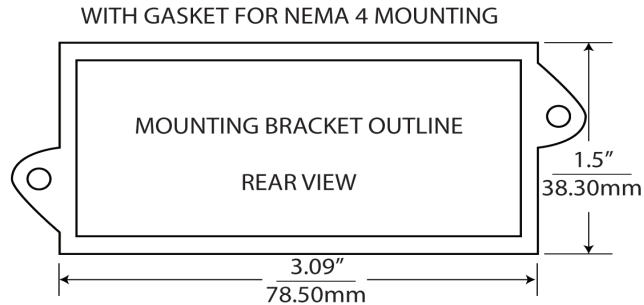
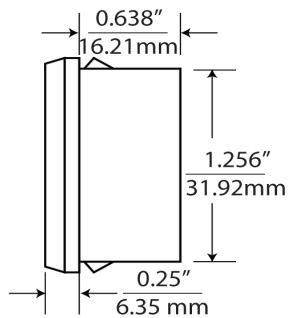
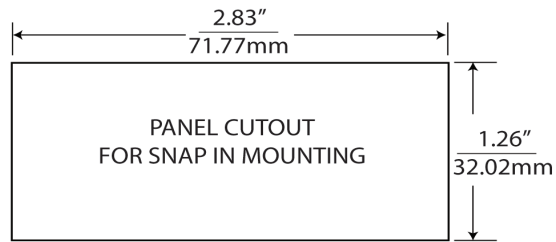
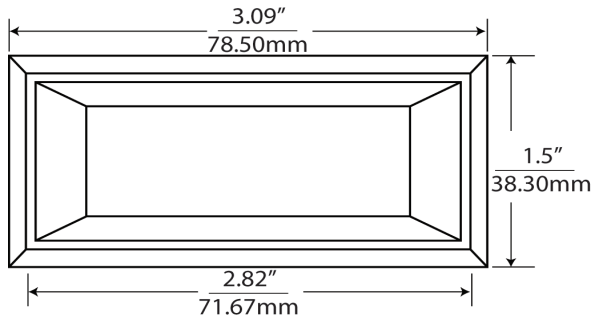


Specifications Installation and Operating Instructions
LED Digital Panel Meters
 3½ Digit LED Display for voltage inputs

DK610



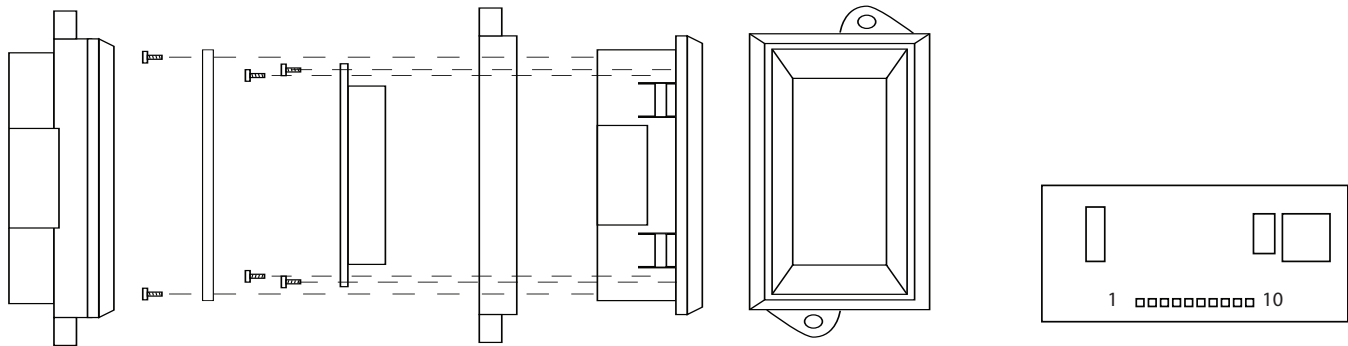
DIMENSIONS



NOTES:

1. Panel thickness is: 0.032"/0.81mm to 0.25"/6.35mm
2. Gasket supplied is: 0.09"/2.25mm thick

inches
mm



WIRING

Pin No.	Pin Name	Description
1	V+	+5V power supply
2	GND	Power supply ground
3	DP COM	Decimal point return
4	DP1	1XX.X (connect to DP COM to turn on)
5	DP2	1X.XX (connect to DP COM to turn on)
6	DP3	1.XXX (connect to DP COM to turn on)
7	INPUT(+)	Positive input signal
8	INPUT(-)	Negative input signal
9	NC	No connection required
10	HOLD	Hold last display

