

# PRODUCT DATASHEET

## NFC Cable Tie Tag

### RFID Tag for Fastening Solutions

Cable Tie Tag can be used to fasten tubes or loose items while providing an ID number to assist asset management, item tracking, and material workflow control. The one-time use design facilitates tamper proof function to enhance its security level. This tag can be read by an NFC-enabled phone.

### Features

- One-time use strap for higher security
- Read on NFC-enabled phone
- Robust and resistant to harsh environments and cleaning processes

### Applications

- Inspection Tag
- Item-tracking
- Asset Management
- Inventory Control

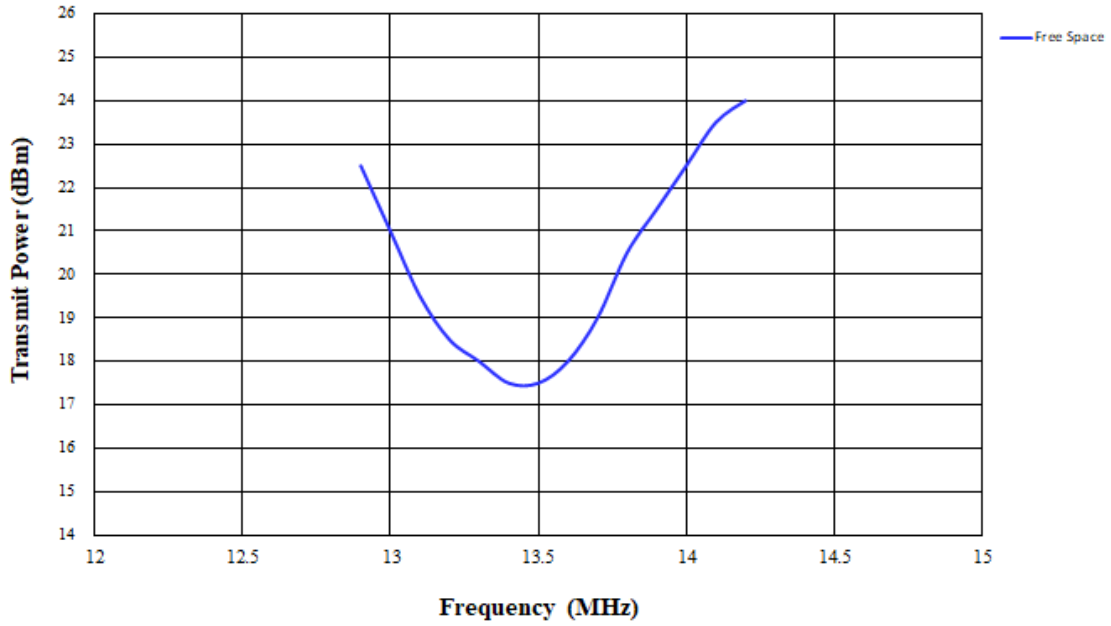


### RF Specification

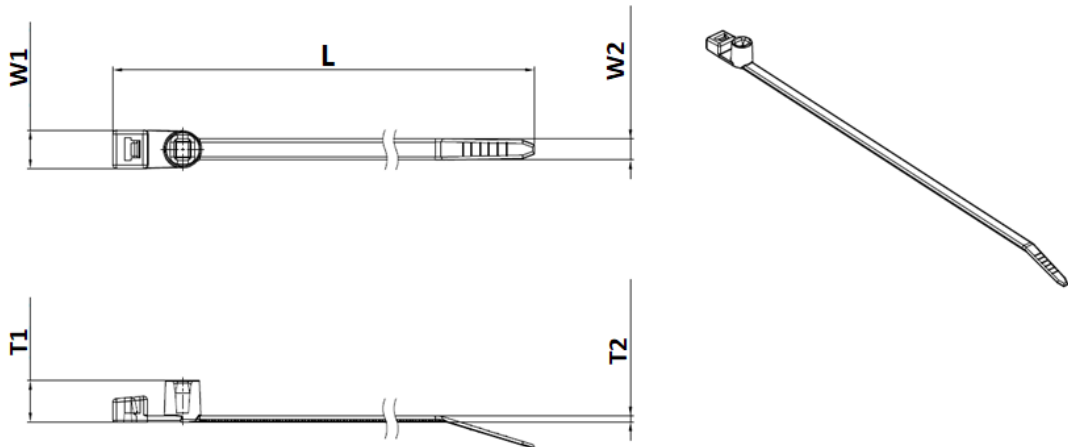
<b>IC Type</b>	STMicroelectronics ST25TV02K
<b>Memory</b>	UID 8 byte User memory 2K bit
<b>RF Interface Protocol</b>	ISO 15693
<b>Operating Frequency</b>	13.56 MHz
<b>Applicable Surface</b>	Non - Metal

### Environmental Resistance

<b>Operating Temperature</b>	-20°C to +85°C
<b>Storage Temperature</b>	-20°C to +85°C
<b>Weight</b>	1.8g
<b>Warranty</b>	One Year



\*HF sensitivity shown in the figure is measured by Voyantic Tagformance HF Loop Antenna C60. Actual sensitivity performance is subject to the environment in practice.



### Physical Specification

<b>Color</b>	Black
<b>Material</b>	Nylon
<b>Size</b>	L 195 mm/ 7.67 in W1 8.3 mm/ 0.32 in T1 9 mm/ 0.35 in W2 4.6 mm/ 0.18 in T2 1.3 mm/ 0.05 in *The exact size is mainly based on metric unit.
<b>IP Rating</b>	IP68

Ref. No: Digi-Key / 420900816-02291

All rights reserved. Product specifications are subject to change without prior notification.

Securitag Assembly Group (SAG) reserves the rights to change product specifications without prior notice. Our products are free from defects in material and workmanship. However, this warranty does not cover accidental damage, wear and tear due to Under no conditions is SAG liable for loss and damage to a device, data or records. We also recommend extra care to minimize ESD improper use, in the surroundings of the application.

