

8

7

6

5

4

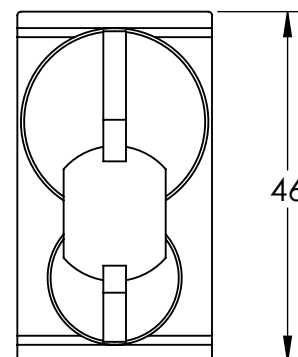
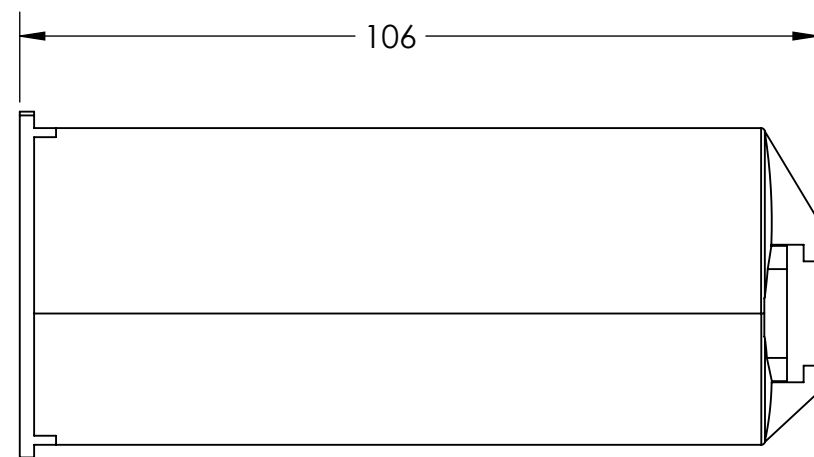
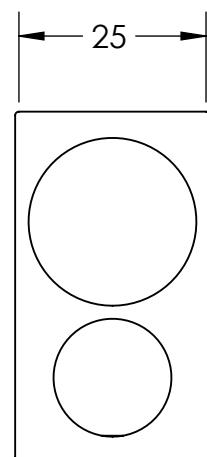
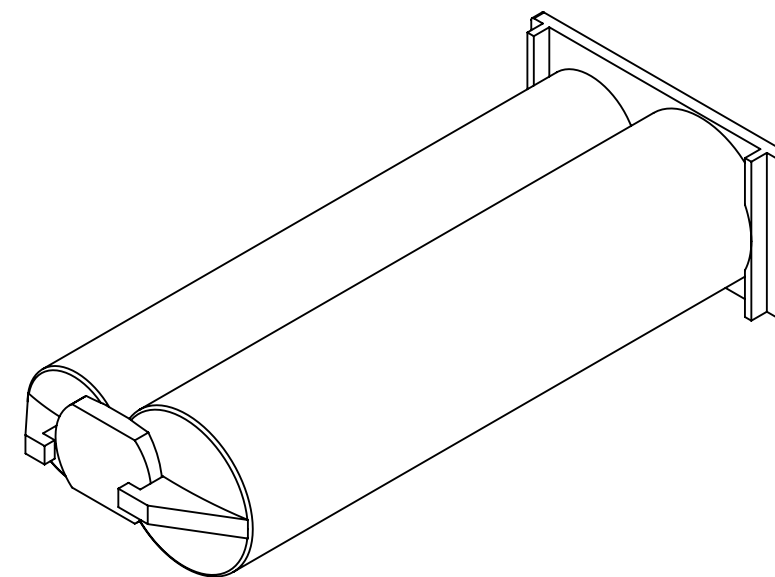
3

2

1

COPYRIGHT 2021 © SUBURBAN MARINE
 THE INFORMATION CONTAINED IN THIS DRAWING IS THE
 SOLE PROPERTY OF SUBURBAN MARINE, INC. ANY
 REPRODUCTION IN PART OR AS A WHOLE WITHOUT THE
 WRITTEN PERMISSION OF SUBURBAN MARINE, INC IS
 PROHIBITED.

REVISIONS			
ZONE	REV.	DESCRIPTION	DATE
	A	INITIAL RELEASE	3/19/2021



UNLESS OTHERWISE SPECIFIED: DIMENSIONS ARE IN mm	DRAWN	NAME	DATE
ANGULAR ± 1°	CHECKED	MM	20210319
X ± 1.0mm	APPROVED		
.X ± 0.4mm	APPROVED		
.XX ± 0.1mm	THIRD ANGLE PROJECTION:		
INTERPRET GEOMETRIC TOLERANCING PER: ISO 2768- mK			
MATERIAL NONE			
FINISH NONE			
WEIGHT:	DO NOT SCALE DRAWING		



TITLE: **BAROMAX EPOXY**

SIZE	DWG. NO.	REV
B	BM-EPOXY-A	A

SCALE: 1:1	SHEET 1 OF 1
------------	--------------

8

7

6

5

4

3

2

1