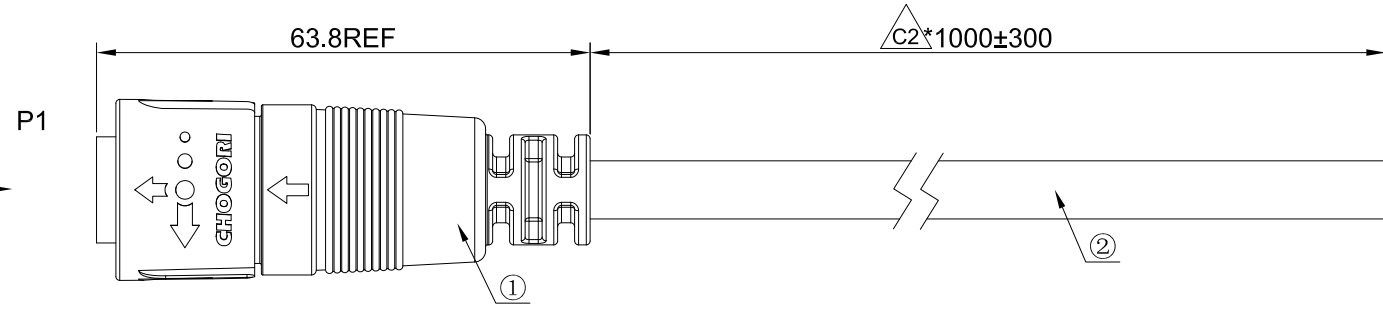
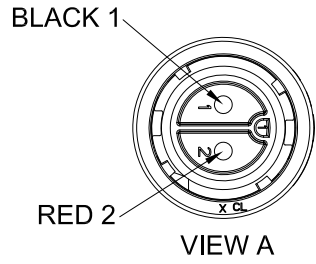


5	6	7	8
REV.	ECN NO.	DATE	SIGN
C1	NA	2022/05/28	XU
C2	NA	2022/06/24	XU
		DESCRIPTION	
		First Version	
		Change The Length To 1000mm	



P/N: 23002133-01-001

SPECIFICATIONS:

- 1.INSULATION RESISTANCE: 10MΩ@500VDC/0.01S.
- 2.VOLTAGE RATING: 300V.
- 3.CURRENT RATING: 20A.
- 4.OPERATION TEMPERATURE: -40℃~+80℃.
- 5.WATERPROOF IPX7(MATED).
- 6.RoHS COMPLIANT.

2	900-00201-00024	A/R	M	UL2464 2C*14AWG PVC -40~80℃ 300V BLACK OD7.5
1	23002133-01-001	1	PC	MIDDIE SERIES 2PIN MALE CONNECTOR WITH MALE PIN(4 LOCKS,MOLDING,-511)
No.	Material No.	Q'ty	Unit	Material Description

Material List

UNIT:mm		TITLE
未注线性和角度尺寸公差 UNSPECIFIED TOLERANCE		MIDDIE SERIES 2PIN MALE CONNECTOR WITH MALE PIN(4 LOCKS,MOLDING,-511) L=1000MM
SCALE	N/A	SHEET
		1 of 1
REV.	C2	SIZE
		A4
GB/T 1804-M		* Inspection Item

CHOGORI[®]
Chogori Technology Co., Ltd

ITEM NO.	11C03622051401	DRAWN BY	XU	DATE	2022/06/24
DWG NO.	11C03622051401	CHECKED BY		DATE	
CUSTOMER NO.		REV.		APPROVED BY	
				DATE	

THIS INFORMATION IS CONFIDENTIAL AND IS DISCLOSED TO YOU ON CONDITION THAT NO FURTHER DISCLOSURE IS MADE BY YOU TO OTHER THAN CHOGORI PERSONNEL WITHOUT AUTHORIZATION FROM CHOGORI CORP.