

PFC-1724-3

Magnet Float

RoHS

REACH

Product image serves as example only.

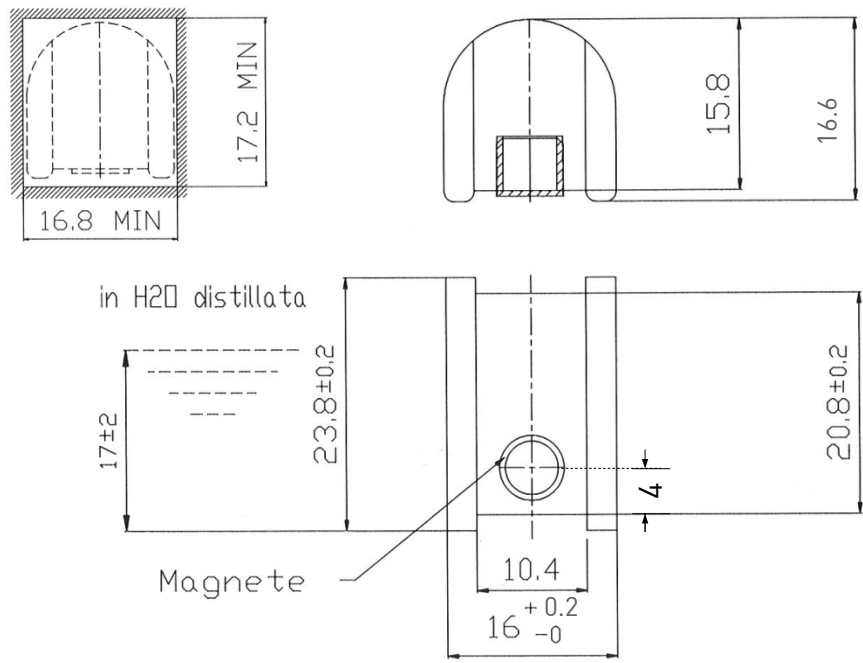
Data

Float housing material	PP6331 foaming (for use in water) FDA required (white / nature)	
Magnet	NdFeB, N30	
Magnet socked housing material	PP6331FDA required (white)	
Magnetical Orientation	axially	

Remanence Br	mT	1105
Coercivity HcB	kA/m	836
Coercivity HcJ	kA/m	955
Energy Product (BH) max.	kJ/m ³	235
Operating Temperature max.	°C	80

Nominal values unless otherwise specified.

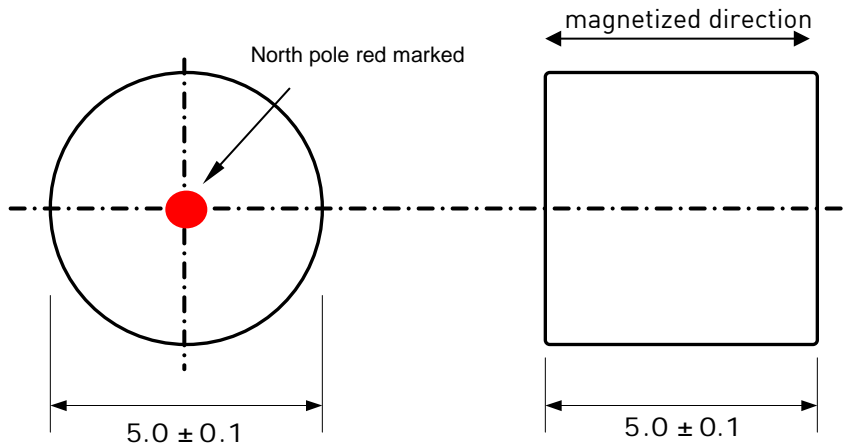
Float dimensions in mm



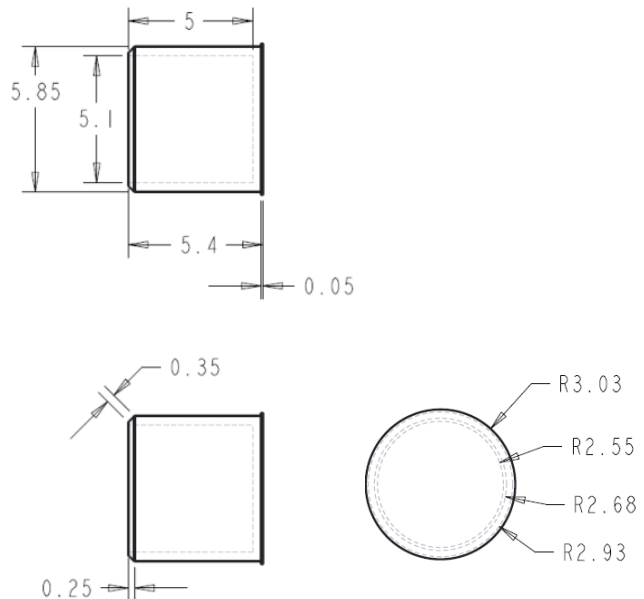


PFC-1724-3 Magnet Float

Magnet dimensions in mm



Magnet socked dimension



Mechanical Characteristics

@ 25°C

Density of float typ. *	g/cm ³	0.7±0.1
Weight per piece	g	3.5±0.5

* In delivery condition