

# SD-70

## RECESSED CONTACTS

.75"(19.05mm) Steel Door Recessed Type



Contact Size: .75"×.84"(19.05mm×21.3mm)

Standard Magnet Size: .75"×.84"(19.05mm×21.3mm)

Standard Gap: 1.1"(28mm)



Colors: White, Brown

12"(305mm) 22 AWG Leads Standard



Longer leads available.

### Specifications

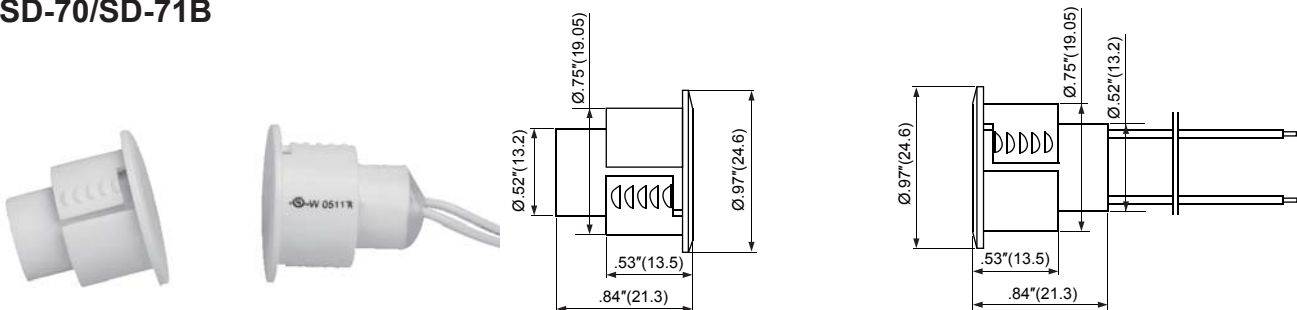
Part Number	Gap Inch(mm)	Loop Open/Closed	Reed Form	Max. Contact Rating (W)	Max. Initial Contact Resistance (mΩ)	Max. Switching Voltage (V)	Max. Switching Current (A)
<b>SD-70</b>	1.1"(28)	CLOSED	Normally Open	10	100	AC110/DC100	0.5
<b>SD-71B</b>	1.1"(28)	OPEN	Normally Closed	3	100	AC30/DC30	0.2
<b>SD-70 WG</b>	1.26"(32)	CLOSED	Normally Open	10	100	AC110/DC100	0.5
<b>SD-72C</b>	1.1"(28)	SPDT	SPDT	3	100	AC30/DC30	0.2
<b>SD-74C</b>	.75"(19)	DPDT	DPDT	3	100	AC30/DC30	0.2

OPERATING TEMPERATURE:-40°C to +60°C

### Outline Dimensions

Unit: inch(mm)

#### SD-70/SD-71B



The Best Guarantee Since 1984 : \$50-1

## TANE ALARM PRODUCTS

906 JERICHO TURNPIKE, NEW HYDE PARK, NY 11040

Tel: 800-852-5050 • 516-328-3351 • Fax: 516-326-9125

www.tanealarm.com • E-MAIL: info@tanealarm.com

# SD-70

# RECESSED CONTACTS

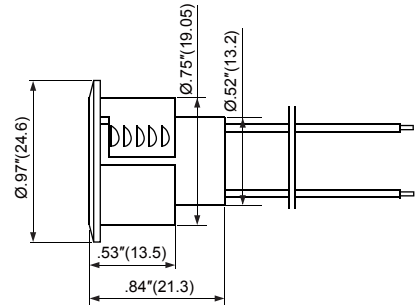
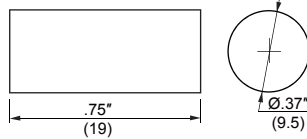
## Outline Dimensions

Unit: inch(mm)

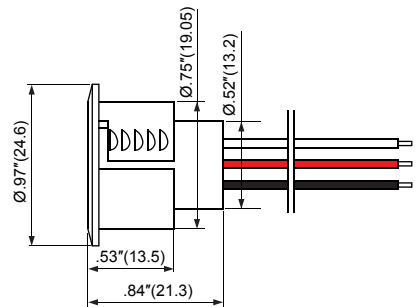
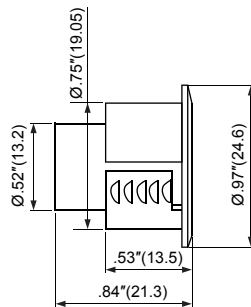
### SD-70 WG



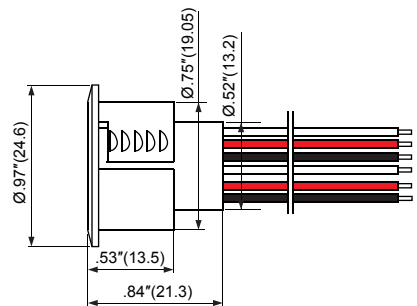
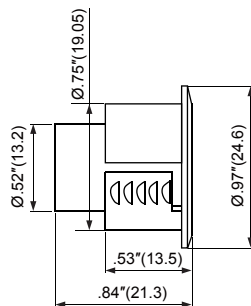
Bare Rare Earth  
(BT 3/8"×3/4")



### SD-72C

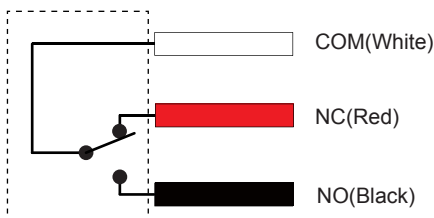


### SD-74C

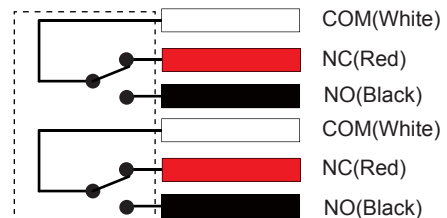


## Wiring Diagram

### SD-72C



### SD-74C



*"We Contact The World"*

The Best Guarantee Since 1984 : \$50-1

**TANE ALARM PRODUCTS**

906 JERICHO TURNPIKE, NEW HYDE PARK, NY 11040

Tel: 800-852-5050 • 516-328-3351 • Fax: 516-326-9125

www.tanealarm.com • E-MAIL: info@tanealarm.com