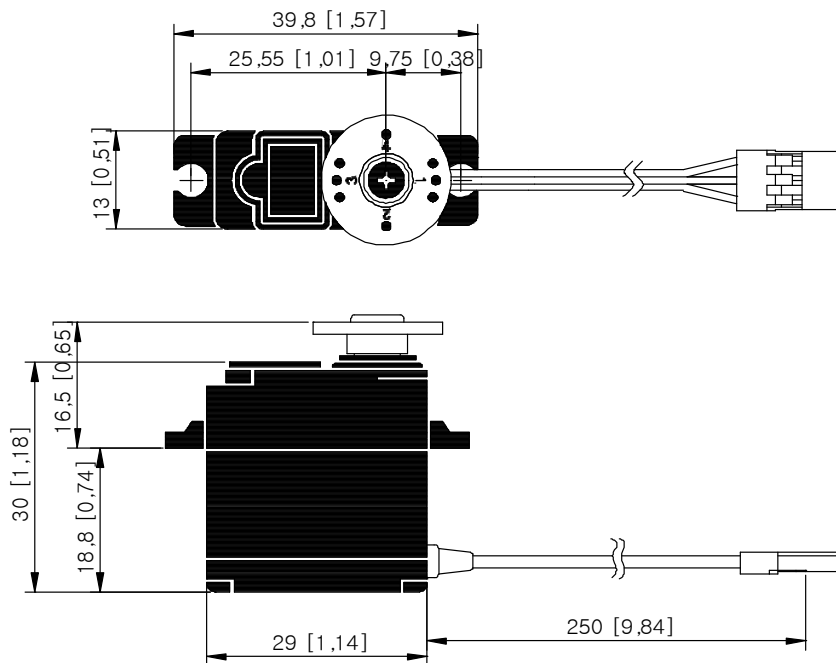


# HS-85MG General Specification.



## METAL GEAR SERVO

Control system	PWM			-	
Position sensor type	Contact Analog Potentiometer			-	
Operating voltage range	4.8 ~ 6.0 V			-	
Motor type	Cored Metal Brush			-	
Voltage	4.8V	6.0V	-	At 25°C, 45% (±10%) measurement environment	
No load speed	0.16sec/60°	0.14sec/60°	-		
Stall torque	3.0 kgf·cm(41.66oz·in)	3.5 kgf·cm(48.61oz·in)	-		
Standing current	8.0mA	8.0mA	-		
No load running current	240mA	240mA	-		
Stall current	-	-	-		
Dead band width	5usec	5usec	-		
Operating travel	40°/One side pulse traveling 400usec				-
Operating temperature range	-20°C ~ +60°C (-4°F ~ +140°F)				-
Vibrations at no load	-				-
Storage temperature range	-30°C ~ +80°C (-31°F ~ +176°F)			-	
Connector wire length	250mm( 9.84inch)				
Connector wire gauge	24AWG				
Dimensions	29.0 mm x 13.0 mm x 30.0 mm ( 1.14inch x 0.51inch x 1.18inch )			-	
Weight	21.9 g( 0.77oz)			-	
Ball bearing	Single Ball Bearing			-	
Case material	Engineering plastic			-	
Gear material	5 Metal			-	
Gear train backlash	Max 0.5°			-	
Horn gear spline	24T(Ø6)			-	
IP rate	-			-	
Servo Amplifier type	Analog Contorller			-	
Features				-	
Applications				-	



1:1 scale (unit : mm)

