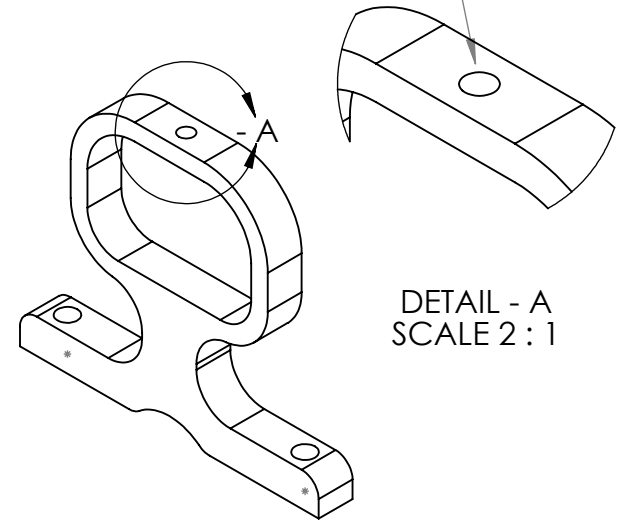


6-32 UNC



**PROPRIETARY INFORMATION**  
 THE INFORMATION CONTAINED IN THIS DRAWING IS THE SOLE PROPERTY OF PARALLAX, INC. ANY REPRODUCTION IN PART OR IN WHOLE WITHOUT THE WRITTEN PERMISSION OF PARALLAX INC. IS PROHIBITED.

**UNLESS OTHERWISE SPECIFIED**  
 DIMENSIONS ARE IN INCHES (mm)  
 LENGTH TOLERANCES:  
 X.XX ±0.010 IN  
 X.XXX ±0.005 IN  
 ANGLE TOLERANCES:  
 X ±5°  
 X.X ±1°

**PARALLAX**  <sup>TM</sup>  
 599 MENLO DRIVE www.PARALLAX.com  
 ROCKLIN, CA 95765 (916) 624-8333

Date: 06/16/2017

Part # 720-28055 Rev A-1

Parent Part # 725-28055

Product Title  
**LW 20 Sensor Stand**

Sheet 1

Drawn by: K Glass

SCALE 1:1 Material: 6061 Alum Alloy