

Series 600 Instrument Grade Transducer

SensComp's Series 600 Instrument Grade Electrostatic Ultrasonic Sensor is specifically intended for operation in air at ultrasonic frequencies. The assembly comes complete with a perforated protective cover.

Features

- 50 kHz Electrostatic Ultrasonic Sensor
- Beam Angle of 15° at -6 dB
- Ranges from 6" to 35'
- Excellent Receive Sensitivity
- Integral Perforated Protective Cover.
- Specifically Intended for Operation in Air at Ultrasonic Frequencies

Part No.

- *PID# 604142 – Series 600 Instrument Grade Ultrasonic Sensor
- *RoHS Compliant

Benefits

- Able to Range from 6" to 35'
- Excellent Receive Sensitivity

Applications

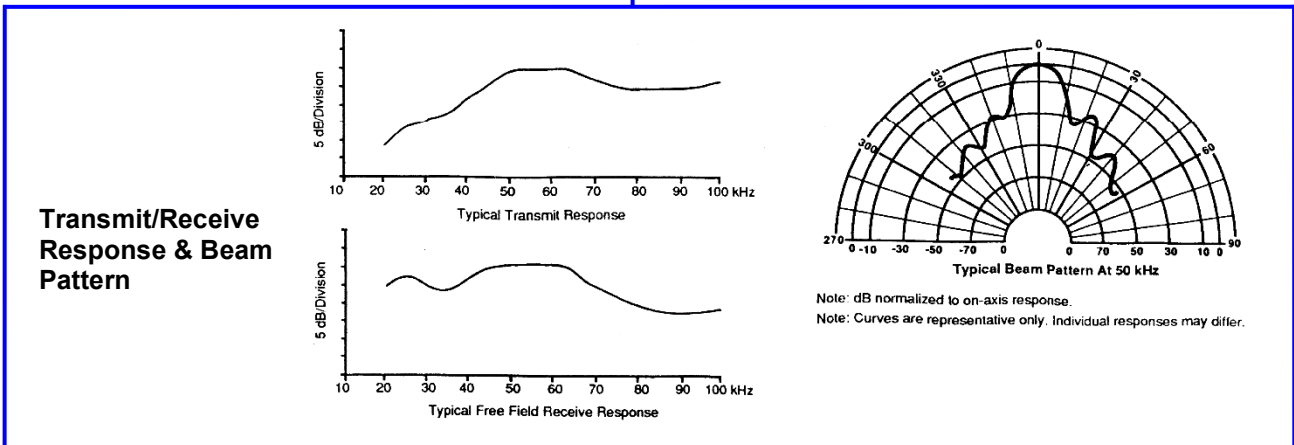
- Level Measurement, Proximity Detection, Presence Detection, Robotics, Educational Products

Specifications



Description

The Series 600 ultra-sensitive ultrasonic sensors feature ranging capability from 2.5 cm to 15.2 m when used with SensComp drive electronics. They are ideally suited for demanding applications where the most sensitivity possible is the highest priority. These ultrasonic sensors are among the best available when detecting soft targets. They have a broad band frequency response.



Series 600 Instrument Grade Specifications

Usable Frequency Range

Transmitting See Graph

Receiving See Graph

Beam Pattern See Graph

Typical: 15° at -6dB

Transmitting Sensitivity 110 dB min
at 50.0 kHz; 0dB re 20 µPa at 1 meter
(300 VAC_{PP}; 150 VDC bias)

Receiving Sensitivity -42 dB min
at 50.0 kHz; 0dB = 1 volt/ Pa
(150 VDC bias)

Distance Range 0.15 to 10.7 M
(0.5 to 35 feet)

Resolution (± 1% over entire range) ± 3mm to 3m
(± 0.12 to 10 ft)

Weight 8.2 gm (0.29 oz)

Suggested DC Bias Voltage 200V

Suggested AC Driving Voltage 200V peak

Combined Voltage 400V max

Capacitance at 1 kHz (typical) 400–500 pf
(at 150 VDC bias)

Operating Temperature -40 to +85° C
(-40 to 185° F)

Relative Humidity (non-condensing) 5% - 95%

Dimension

Thickness 0.46 inch

Diameter 1.69 inch

Standard Finish

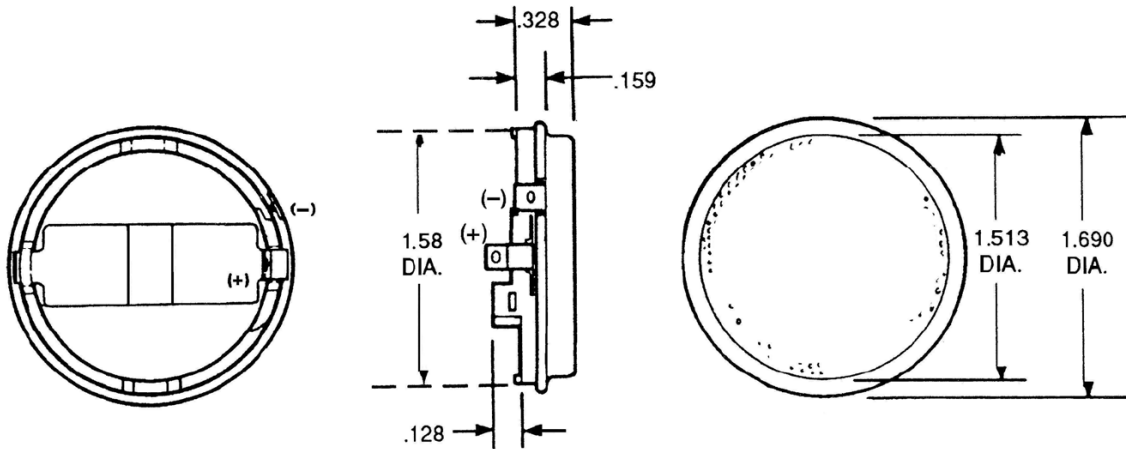
Foil Gold

Housing Satin Black
Painted 304
Stainless Steel

Notes:

[1] Lines which may occasionally appear in foil have no effect on product functionality or performance.

[2] Variations in die depth may result in minor variations of tolerances.



SENSCOMP PRODUCT SPECIFICATION SHEET DISCLAIMER NOTICE

Information provided in this document is proprietary to SensComp, Inc. ("SensComp") and SensComp reserves the right to make corrections, enhancements, improvements and other changes to its products, specification sheets and data, and to discontinue any product at any time, without further notice. Buyer should obtain the latest relevant information before placing an order and should verify that such information is current and complete. All products are sold subject to SensComp's terms and conditions of sale in effect at the time of order acknowledgment.

SensComp disclaims any and all liability for any errors, inaccuracies or incompleteness contained in any specification sheet or in any other disclosure relating to any product. Information contained herein is strictly for reference and subject to change without notice. SensComp is not liable for any damages that the reader or any third person might suffer as a result of the reader ignoring this warning.

SensComp makes no warranty, representation or guarantee regarding the suitability of the products for any particular purpose. SensComp disclaims (i) any and all liability arising out of the application or use of any product, (ii) any and all liability, including without limitation special, consequential, or incidental damages, and (iii) any and all implied warranties, including warranties of fitness for a particular purpose, non-infringement, and merchantability.

Any performance specs are believed to be reliable but are not verified, and buyer must conduct and complete all performances and other testing of the products, alone and together, with, or installed in any end-product. Buyer shall not rely on any data and performance specs or parameters provided by SensComp.

SensComp assumes no liability for applications assistance or the design of Buyer's products. Buyer is responsible to independently determine suitability of any products and to test, verify and validate its products, designs and applications using SensComp's products or components. To minimize the risks associated with Buyer's products and applications, Buyer should provide adequate design and operation safeguards.

The information provided by SensComp here under is provided "as is, where is" and with all faults, and the entire risk associated with such information is entirely with buyer. SensComp does not grant, explicitly or implicitly, to any party any patent rights, licenses, or any other IP rights, whether with regard to such information itself or anything described by such information.

SensComp products have been subject to limited testing and are not authorized for use in aircraft, aviation, nuclear, medical, or safety-critical applications including, but not limited to, life support, and where a failure of the SensComp product would reasonably be expected to cause severe personal injury or death.