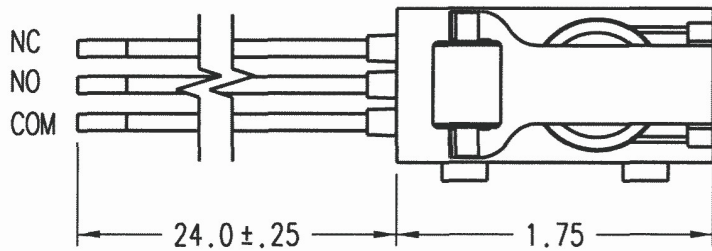


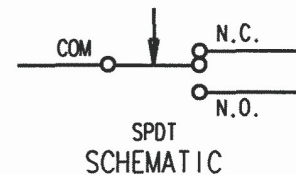
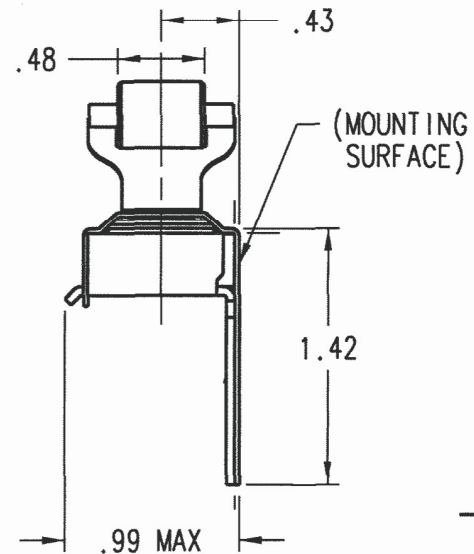
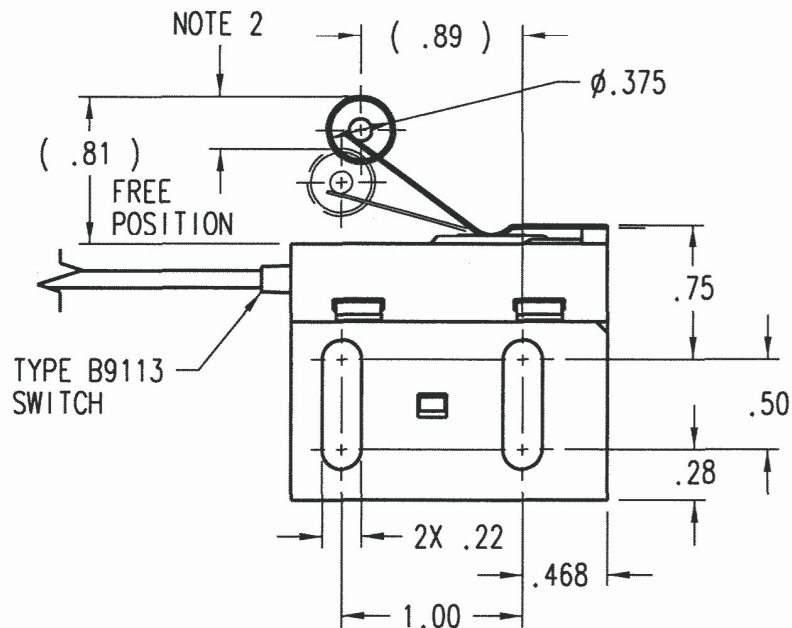
DRAWING NO.

E1117-558



## NOTES:

1. ENTIRE BRACKET ASSEMBLY IS STAINLESS STEEL.
2. MAXIMUM DEFLECTION FOR UNLIMITED ACTUATOR ENDURANCE.
3. SWITCH IS COMPLETELY WATERPROOF.
4. WIRES ARE #18 AWG BLACK TYPE SAE J1128 GXL.
5. WIRE CONNECTIONS MUST BE SEALED TO MAINTAIN THE WATERPROOFNESS OF THE SWITCH.
6. SWITCH ACTION: SPDT.
7. ELECTRICAL RATING (28VDC/120VAC): 5 AMP RESISTIVE, 3 AMP INDUCTIVE.
8. PROPER APPLICATION OF THIS PRODUCT IS THE RESPONSIBILITY OF THE USER.



REV	DESCRIPTION	DATE	BY	APP	UNLESS OTHERWISE SPECIFIED DIMENSIONS ARE IN INCHES			APPROVALS	DATE	CPI CONTROL PRODUCTS, INC. EAST HANOVER, NEW JERSEY WWW.CPI-NJ.COM					
					TOLERANCES ARE:			DRAWN	GHS	7/27/21	TITLE LIMIT SWITCH, SPDT INSTALLATION DRAWING				
					.X ± .1	.XX ± .03	.XXX ± .015	ANG ± 5°	CHECKED						
					MATERIAL			ISSUED	ECN7184	Rob	7/27/21	SIZE	SCALE	DRAWING NO.	SHEET
REVISIONS					FINISH AND HEAT TREAT			DIGI-KEY			A	NONE	E1117-558	1 OF 1	
THE INFORMATION FURNISHED HEREIN IS THE PROPERTY OF CONTROL PRODUCTS, INC. AND SHALL NOT BE USED, DISCLOSED TO OTHERS, OR COPIED WITHOUT THE EXPRESS WRITTEN CONSENT OF CONTROL PRODUCTS, INC.								DO NOT SCALE DRAWING							