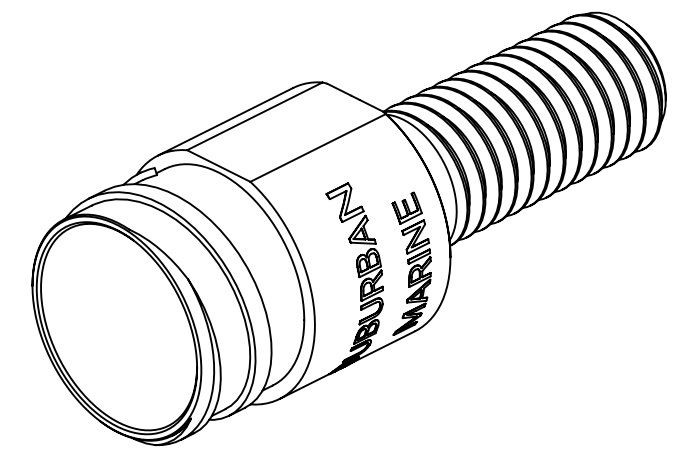
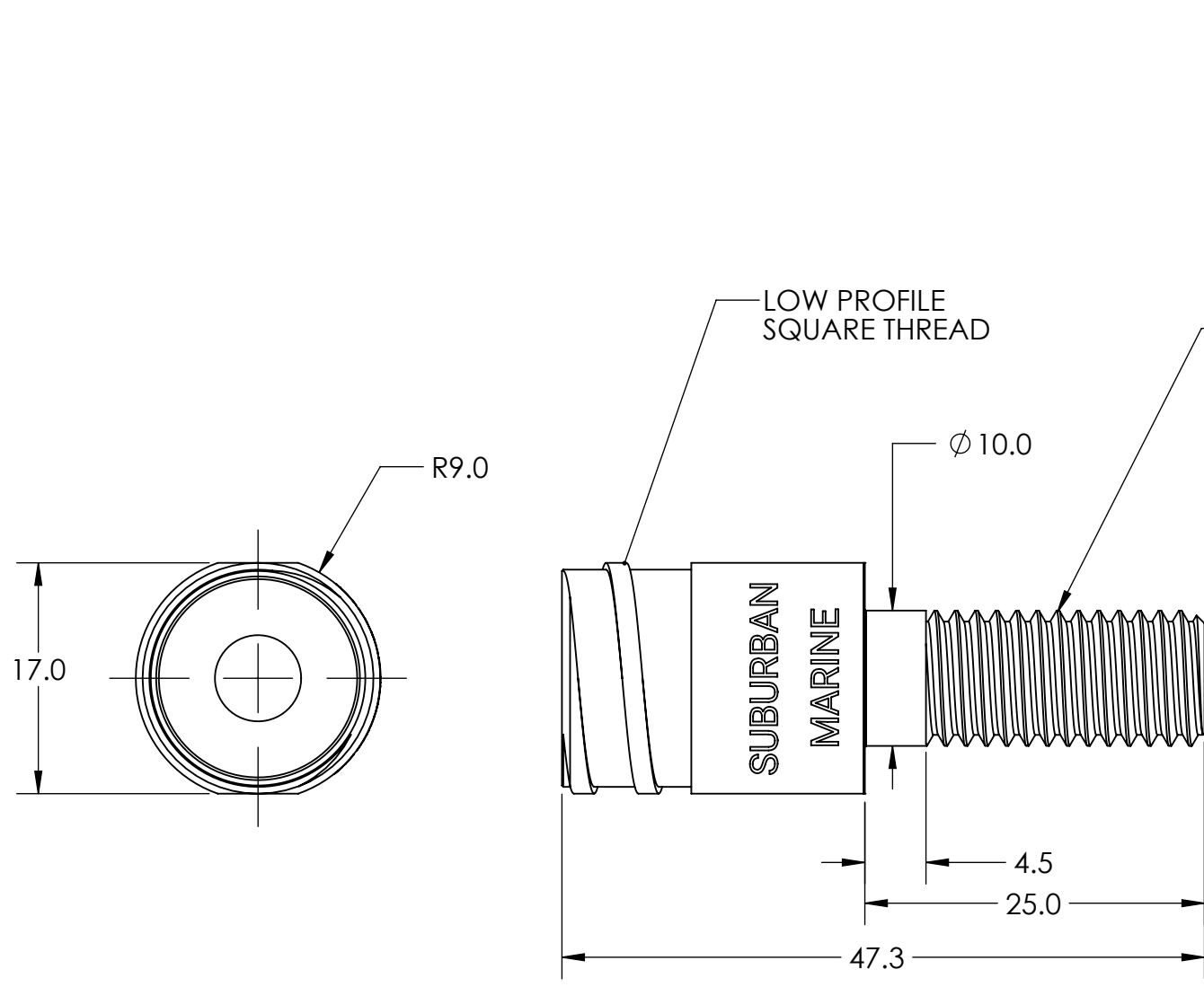

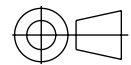


COPYRIGHT 2021 © SUBURBAN MARINE
 THE INFORMATION CONTAINED IN THIS DRAWING IS THE
 SOLE PROPERTY OF SUBURBAN MARINE, INC. ANY
 REPRODUCTION IN PART OR AS A WHOLE WITHOUT THE
 WRITTEN PERMISSION OF SUBURBAN MARINE, INC IS
 PROHIBITED.

REVISIONS			
ZONE	REV.	DESCRIPTION	DATE
	A	INITIAL RELEASE	3/19/2021



UNLESS OTHERWISE SPECIFIED:		NAME	DATE	
DIMENSIONS ARE IN mm		DRAWN	MM 20210319	
ANGULAR $\pm 1^\circ$		CHECKED		
X ± 1.0 mm		APPROVED		
.X ± 0.4 mm		APPROVED		TITLE: BULKHEAD BACKSHELL, M10 THREAD, LOW PROFILE
.XX ± 0.1 mm				
INTERPRET GEOMETRIC TOLERANCING PER: ISO 2768- mK		THIRD ANGLE PROJECTION:		SIZE DWG. NO. REV
MATERIAL NONE				B BM-A-BH-C-X A
FINISH NONE				
WEIGHT:		DO NOT SCALE DRAWING	SCALE: 2:1	SHEET 1 OF 1