



FOCUS LCDs

LCDs MADE SIMPLE®

Ph. 480-503-4295 | NOPP@FocusLCDs.com

TFT | OLED | CHARACTER | GRAPHIC | UWVD | SEGMENT | CUSTOM

TFT Display Module

Part Number

E43GA-RW1000-R

Overview:

- 4.3-inch TFT (105.5x67.2mm)
- 480 x 272 Pixels
- 24-Bit RGB Interface
- Wide Temperature
- Bottom View
- Transmissive
- Resistive Touch Panel
- 1000 NITS
- TFT IC: ST7282-G4
- RoHS Compliant

Description

This is a color active matrix TFT (Thin Film Transistor) LCD (Liquid Crystal Display) that uses amorphous silicon TFT as a switching device. This model is composed of a transmissive TFT-LCD Panel, driver circuit, resistive touch panel and backlight unit. The resolution of the 5.0" TFT-LCD contains 480x272 pixels and can display up to 16.7M colors.

Features

Input Voltage: 3.3V

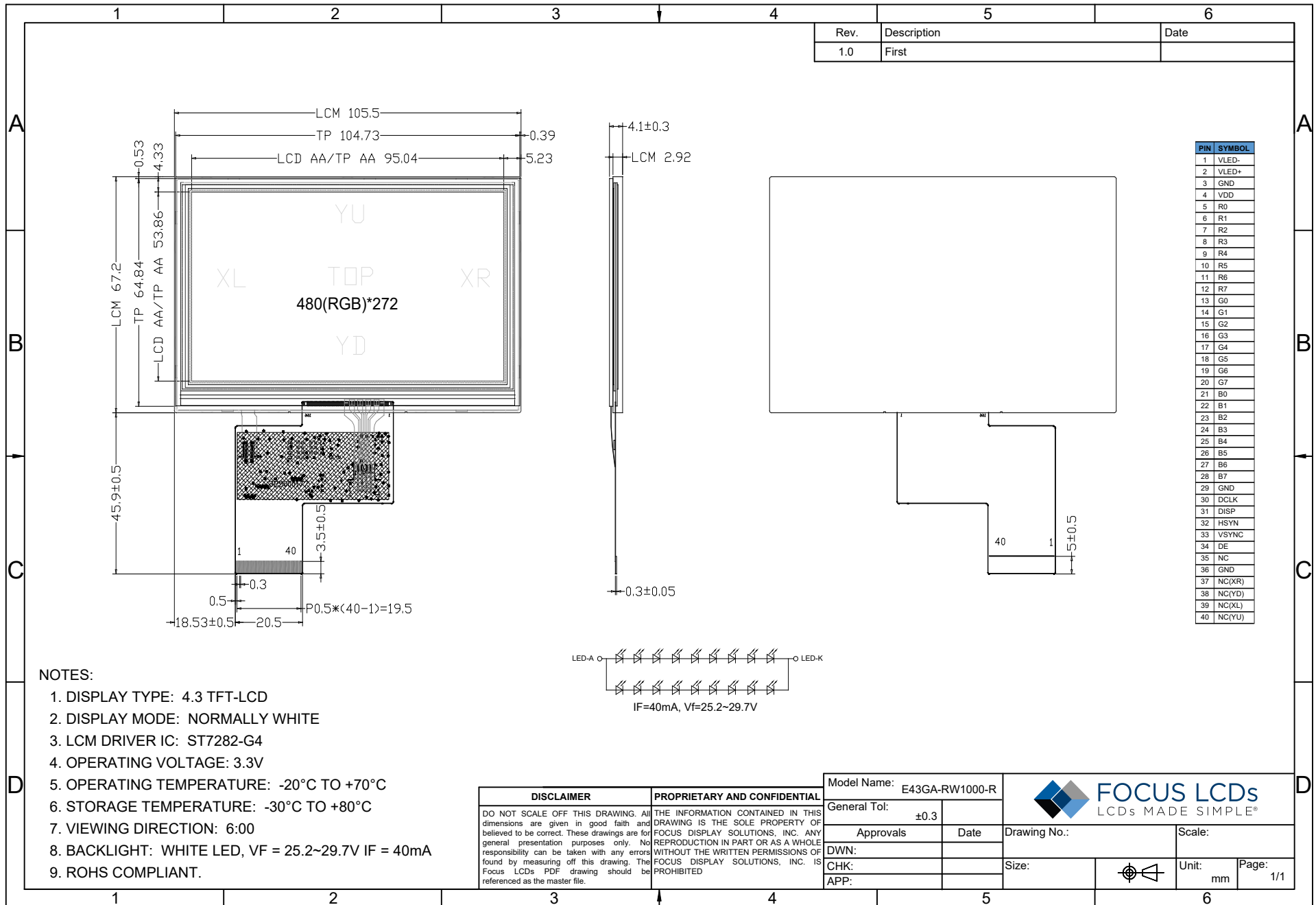
TFT Interface: 24-Bit RGB

General Information Items	Specification	Unit	Note
	Main Panel		
TFT Display Area (AA)	105.5(H) x 67.2(V) (4.3 Inch)	mm	--
Display Colors	16.7M	colors	--
Number of Pixels	480(RGB)x272	dots	--
TFT Pixel Arrangement	RGB Vertical Stripe	--	--
Viewing Angle	6:00	o'clock	--
TFT Controller IC	ST7282-G4	--	--
Display Mode	Transmissive/Normally White	--	--
Operating Temperature	-20 to +70	°C	--
Storage Temperature	-30 to +80	°C	--

Mechanical Information

Item		Min.	Typ.	Max.	Unit	Note
Module Size	Horizontal (H)	--	105.5	--	mm	--
	Vertical (V)	--	67.2	--	mm	--
	Depth (D)	--	4.1	--	mm	--
Weight		--	TBD	--	g	--

1. Outline Dimensions



2. Input Terminal Pin Assignment

2.1 TFT Pin Assignment

Recommended TFT Connector: FH12S-40S-0.5SH(55)

NO.	Symbol	Description	I/O
1	V _{LED-}	Power for LED Backlight Cathode	P
2	V _{LED+}	Power for LED Backlight Anode	P
3	GND	Power Ground	P
4	V _{DD}	Power Voltage	P
5	R0	Red Data (LSB)	I
6	R1	Red Data	I
7	R2	Red Data	I
8	R3	Red Data	I
9	R4	Red Data	I
10	R5	Red Data	I
11	R6	Red Data	I
12	R7	Red Data (MSB)	I
13	G0	Green Data (LSB)	I
14	G1	Green Data	I
15	G2	Green Data	I
16	G3	Green Data	I
17	G4	Green Data	I
18	G5	Green Data	I
19	G6	Green Data	I
20	G7	Green Data (MSB)	I
21	B0	Blue Data (LSB)	I
22	B1	Blue Data	I
23	B2	Blue Data	I
24	B3	Blue Data	I
25	B4	Blue Data	I
26	B5	Blue Data	I
27	B6	Blue Data	I
28	B7	Blue Data	I
29	GND	Power Ground	P
30	CLK	Pixel Clock	I
31	DISP	Display On/Off	I
32	HSYN	Horizontal Sync Signal	I

33	VSYNC	Vertical Sync Signal	I
34	DE	Data Enable	I
35	NC	No Connection	--
36	GND	Power Ground	P
37	XR	Right Electrode	--
38	YD	Bottom Electrode	--
39	XL	Left Electrode	--
40	YU	Top Electrode	--

I: Input, O: Output, P: Power

3. LCD Optical Characteristics

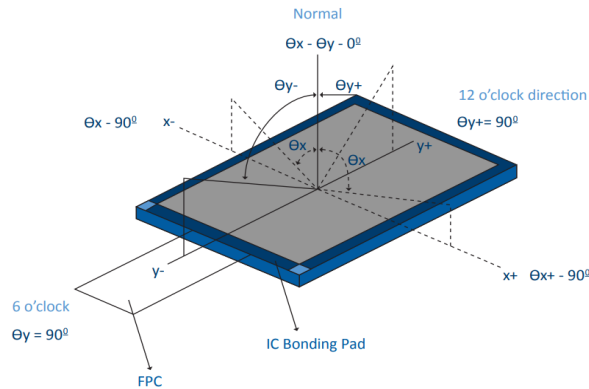
3.1 Optical Specifications

Item	Symbol	Condition	Min	Typ.	Max	Unit	Note	
Contrast Ratio	CR		300	500	--	--	(2)	
Response Time	Rising	T_R	$\theta=0^\circ$	--	7.5	15	ms	(4)
	Falling	T_F		--	17.5	35	ms	
Color Filter Chromaticity	White	W_X	$\theta=0$ Normal Viewing Angle	0.257	0.307	0.357	--	(5)(6)
		W_Y		0.268	0.318	0.368		
Viewing Angle	Hor.	Θ_R	CR \geq 10	65	75	--	degree	(1)(6)
		Θ_L		65	75	--		
	Ver.	Θ_U		50	60	--		
		Θ_D		60	70	--		

Optical Specification Reference Notes:

(1) Definition of Viewing Angle:

The viewing angle is the angle at which the contrast ratio is greater than 10. The viewing angles are determined for the horizontal or 3,9 o'clock direction and the vertical or 6,12 o'clock direction with respect to the optical axis which is normal to the LCD surface.



(2) Definition of Contrast Ratio:

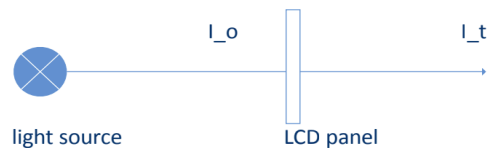
Measured at the center point of panel. The contrast ratio (Cr) measured on a module, is the ratio between the luminance (Lw) in a full white area (R=G=B=1) and the luminance (Ld) in a dark area (R=G=B=0).

$$Cr = \frac{Lw}{Ld}$$

(3) Definition of Transmittance (T%):

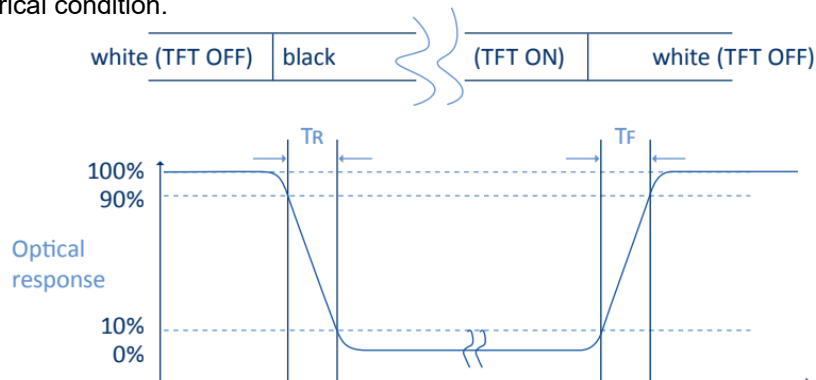
The transmittance of the panel including the polarizers is measured with electrical driving. The equation for transmittance Tr is:

$$Tr = \frac{I_t}{I_o} \times 100\%$$



(4) Definition of Response Time (TR, TF):

The rise time 'Tr' is defined as the time for luminance to change from 90% to 10% as a result of a change of the electrical condition. The fall time 'Tf' is defined as the time for luminance to change from 10% to 90% as a result of a change of the electrical condition.



(5) Definition of Color Gamut:

Measuring machine CFT-01. NTSC's Primaries: R(x,y,Y), G(x,y,Y), B(x,y,Y). FPM520 of Westar Display Technologies, INC., which utilized SR-3 for Chromaticity and BM-7A for other optical characteristics. The color chromaticity shall be calculated from the spectral data measured with all pixels first in red, green, blue and white. Measurements shall be made at the center of the panel.

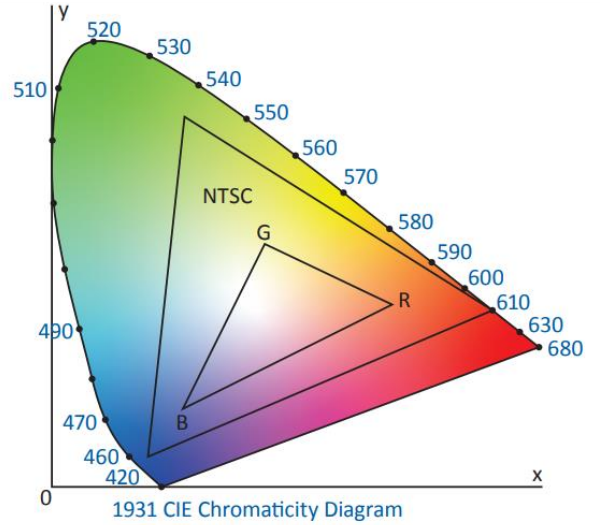
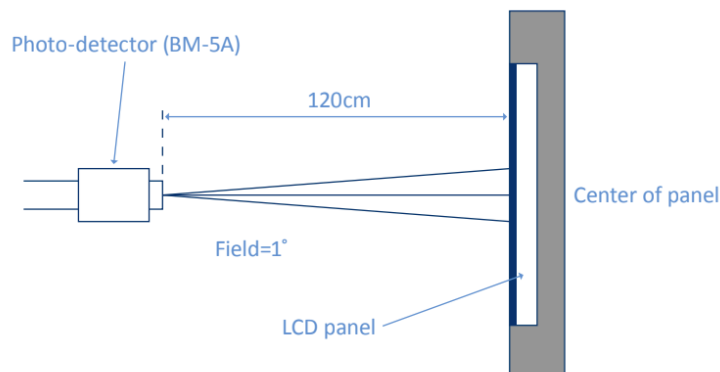
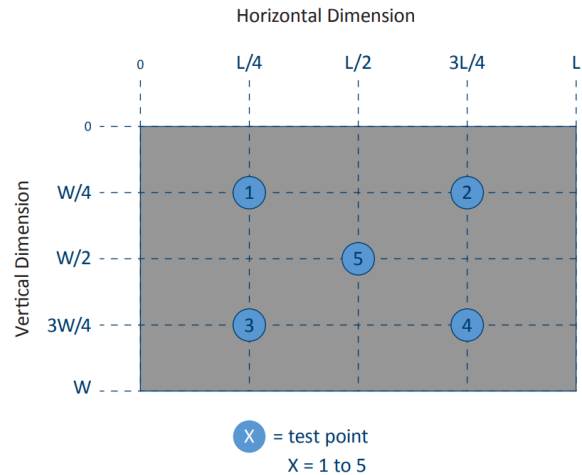
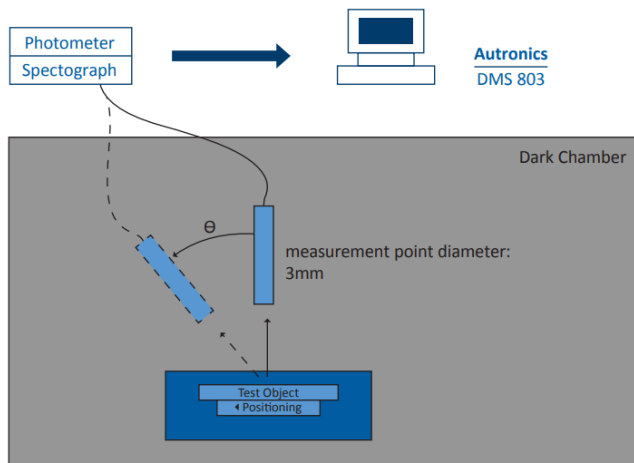


Fig. 1931 CIE chromacity diagram

$$\text{Color gamut: } S = \frac{\text{Area of RGB triangle}}{\text{Area of NTSC triangle}} \times 100\%$$

(6) Definition of Optical Measurement Setup:

The LCD module should be stabilized at a given temperature for 20 minutes to avoid abrupt temperature change during measuring. In order to stabilize the luminance, the measurement should be executed after lighting backlight for 20 minutes.



4. TFT Electrical Characteristics

4.1 Absolute Maximum Rating (Ta=25±2°C, VSS=GND=0V)

Characteristics	Symbol	Min	Max	Unit
Digital Supply Voltage	VDD	VSS-0.3	5.0	V
Operating Temperature	TOP	-20	+70	°C
Storage Temperature	TST	-30	+80	°C

NOTE: If the absolute maximum rating of the above parameters is exceeded, even momentarily, the quality of the product may be degraded. Absolute maximum ratings specify the values which the product may be physically damaged if exceeded. Be sure to use the product within the range of the absolute maximum ratings.

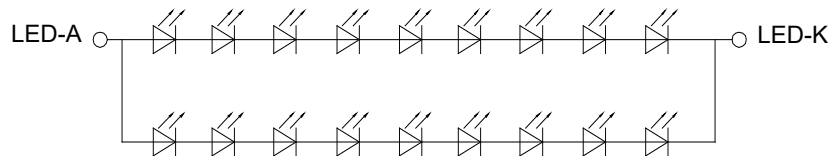
4.3 LED Backlight Characteristics

The backlight system is edge lighting type with 18 LED Chips

Item	Symbol	Min	Typ.	Max	Unit	Note
Forward Current	I_F	--	40	--	mA	--
Forward Voltage	V_F	25.2	--	29.7	V	--
LCM Luminance	L_v	800	1000	--	cd/m ²	(3)
LED Lifetime	Hr	--	--	--	hour	(1)(2)
Uniformity	Avg	70	80	--	%	(3)

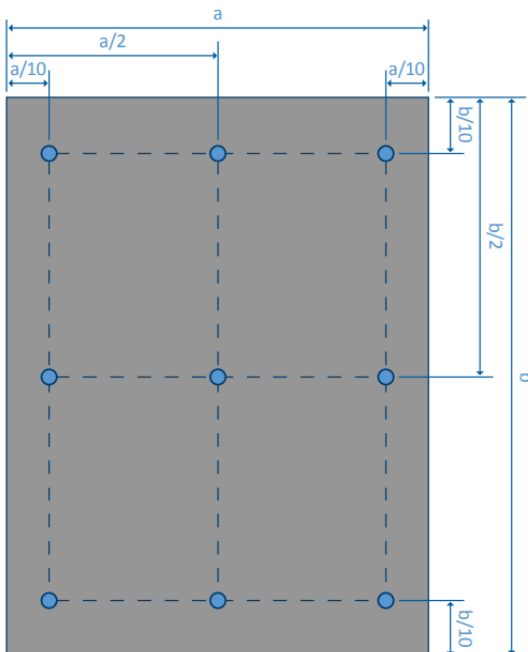
Note 1: LED lifetime (Hr) can be defined as the time in which it continues to operate under the condition: $T_a=25 \pm 2^\circ\text{C}$, typical IL value indicated in the above table until the brightness becomes less than 50%.

Note 2: The "LED lifetime" is defined as the module brightness decrease to 50% original brightness at $T_a=25^\circ\text{C}$ and $I_F = 40\text{mA}$. The LED lifetime could be decreased if operating I_F is larger than 40mA. The constant current driving method is suggested.



BL CIRCUIT DIAGRAM

Note 3: Luminance Uniformity of these 9 points is defined as below:



$$\text{Luminance} = \frac{(\text{Total Luminance of 9 Points})}{9}$$

$$\text{Uniformity} = \frac{\text{Minimum Luminance in 9 Points(1-9)}}{\text{Maximum Luminance in 9 Points(1-9)}}$$

5.0 TFT AC Characteristics

5.1 Interface Timing

For the interface timing diagram, see diagram on page 61 of the data sheet for controller IC ST7282. The data sheet can be found here: <https://focuslcds.com/content/ST7282.pdf>

6.0 Quality Inspection Standards

For TFT quality inspection standards, please see the following link: <https://focuslcds.com/tft-quality-inspection-standards/>

7.0 Cautions and Handling Precautions

7.1 Handling and Operating the Module

1. When the module is assembled, it should be attached to the system firmly. Do not warp or twist the module during assembly work.
2. Protect the module from physical shock or any force. In addition to damage, this may cause improper operation or damage to the module and back-light unit.
3. Note that polarizer is very fragile and could be easily damaged. Do not press or scratch the surface.
4. Do not allow drops of water or chemicals to remain on the display surface. If you have the droplets for a long time, staining and discoloration may occur.
5. If the surface of the polarizer is dirty, clean it using some absorbent cotton or soft cloth.
6. The desirable cleaners are water, IPA (Isopropyl Alcohol) or Hexane. Do not use ketene type materials (ex. Acetone), Ethyl alcohol, Toluene, Ethyl acid or Methyl chloride. It might permanent damage to the polarizer due to chemical reaction.
7. If the liquid crystal material leaks from the panel, it should be kept away from the eyes or mouth. In case of contact with hands, legs, or clothes, it must be washed away thoroughly with soap.
8. Protect the module from static; it may cause damage to the CMOSICs.
9. Use fingerstalls with soft gloves in order to keep display clean during the incoming inspection and assembly process.
10. Do not disassemble the module.
11. Protection film for polarizer on the module shall be slowly peeled off just before use so that the electrostatic charge can be minimized.
12. Pins of I/F connector shall not be touched directly with bare hands.
13. Do not connect, disconnect the module in the "Power ON" condition.
14. Power supply should always be turned on/off by the item Power On Sequence & Power Off Sequence.

7.2 Storage and Transportation

1. Do not leave the panel in high temperature, and high humidity for a long time. It is highly recommended to store the module with temperature from 0 to 35 °C and relative humidity of less than 70%
2. Do not store the TFT-LCD module in direct sunlight.
3. The module shall be stored in a dark place. When storing the modules for a long time, be sure to adopt effective measures for protecting the modules from strong ultraviolet radiation, sunlight, or fluorescent light.
4. It is recommended that the modules should be stored under a condition where no condensation is allowed. Formation of dewdrops may cause an abnormal operation or a failure of the module. In particular, the greatest possible care should be taken to prevent any module from being operated where condensation has occurred inside.
5. This panel has its circuitry FPC on the bottom side and should be handled carefully in order not to be stressed.