

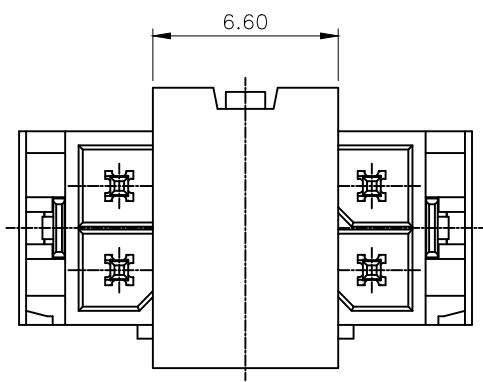
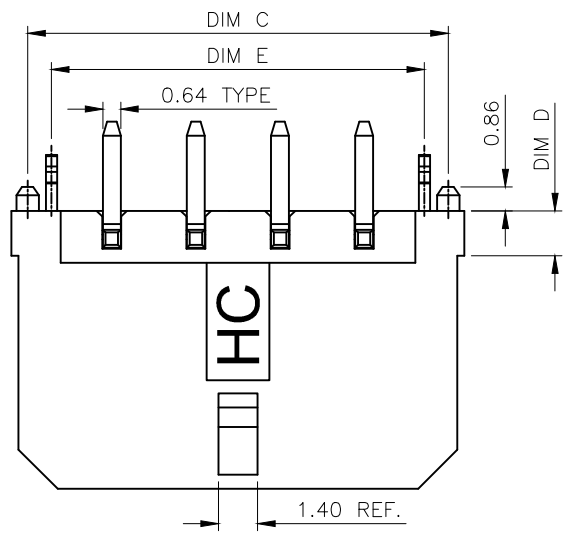
WITH COVER

- NOTES:
- MATERIAL:
 - HOUSING: THERMOPLASTIC, HIGH TEMP., UL94V-0; COLOR:BLACK.
 - CONTACT: HIGH CONDUCTIVITY COPPER ALLOY
 - FINISH:
 - CONTACT: 50u" MIN NICKEL UNDERPLATING OVERALL. N: 60U" MIN MATTE TIN OVERALL.
 - REFLOW SOLDER CAPABLE TO 260°C PER ACES SPEC.
 - SPEC. PLS. REFER TO PS-57980-XXXX-XXX
 - PACKAGE PLS. REFER TO 57959-XXXX-XX-TRP
 - PART NUMBER 56966-XXX X X-XXX

NO OF CKT	XXX	WITH KINK OR WITHOUT KINK	DIM F
	002	WITHOUT KINK	3.18
	004	WITHOUT KINK	2.10

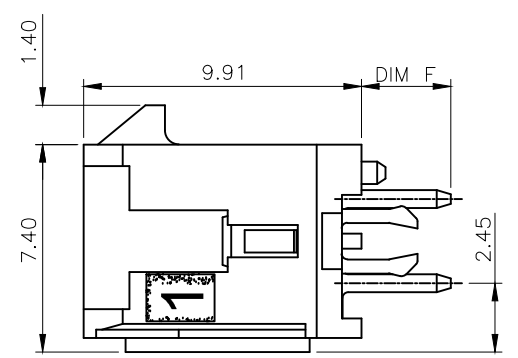
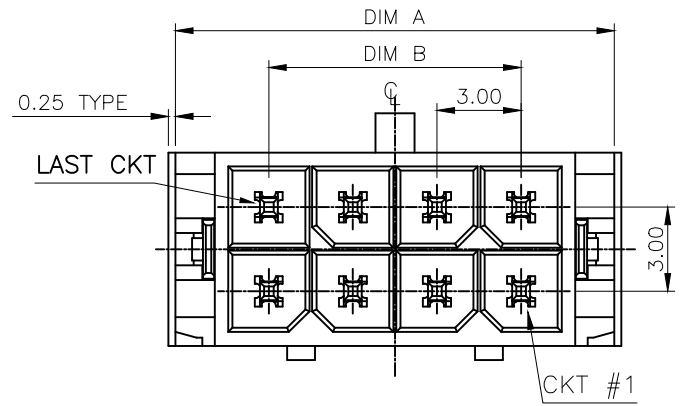
PACKING
 0:TAPE & REEL
 7:TAPE & REEL WITH COVER

PLATING
 N: MATTE TIN



WITH COVER

CKT	DIM A	DIM B	DIM C	DIM D	DIM E
2	6.65	NA	6.00	6.74	4.30
4	9.65	3.00	9.00		7.30
6	12.65	6.00	12.00	1.60	10.30
8	15.65	9.00	15.00		13.30
10	18.65	12.00	18.00		16.30
12	21.65	15.00	21.00		19.30
14	24.65	18.00	24.00		22.30
16	27.65	21.00	27.00		25.30
18	30.65	24.00	30.00	1.60	28.30
20	33.65	27.00	33.00		31.30
22	36.65	30.00	36.00		34.30
24	39.65	33.00	39.00		37.30



QUALITY SYMBOLS MAJOR Ⓜ CRITICAL Ⓢ GENERAL TOLERANCES (UNLESS SPECIFIED) X. ±0.5 .X ±0.36 .XX ±0.25 .XXX ±0.15 ANGLES ±2°	DRAWN BY Tang,En Hui DATE 19/11/04	
	CHECKED BY Lu,Jing Quan DATE 19/11/04	
	APPROVED BY hsieh,fu yu DATE 19/11/04	SIZE A4 RFO NO. N/A
UNITS mm SCALE 4:1	SHEET NO. 2 OF 3	REV C DWG NO. 56966-XXXX-XXX



QUALITY SYMBOLS MAJOR CRITICAL GENERAL TOLERANCES (UNLESS SPECIFIED) X. ±0.5 .X ±0.36 .XX ±0.25 .XXX ±0.15 ANGLES ±2°	DRAWN BY Tang,En Hui	DATE 19/11/04		TITLE 3.0mm PITCH HEADER CONN. T/H D/R S/T TYPE		
	CHECKED BY Lu,Jing Quan	DATE 19/11/04			UNITS mm	SIZE A4
	APPROVED BY hsieh,fu yu	DATE 19/11/04	SCALE 4 : 1	SHEET NO. 3 OF 3	REV C	DWG NO. 56966-XXXX-XXX