



specifications

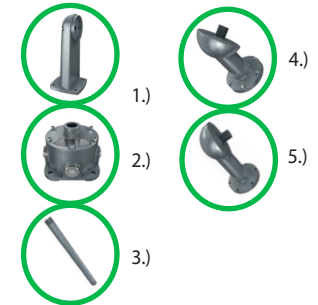
CRI	Voltage	Ambient Temp (F)	Color Temp	Material	IP Rating	Efficacy	Gross Weight	Beam Angle	Dimensions	Warranty	Case QTY
80	100-277 V	-40°- 140°	5000K	copper free aluminum housing	IP 66	140 LM / W	41.89 lbs	120°	16" x 13.46" x 10"	6 years	1 pcs

select your fixture

Part Number	Color Temp	Consumption	Lumen Output
GI-EPC-C400-G4	5000K	100W	14,000

add your accessories*

Accessories Part Number	Description
1.) GI-ACC-EPSMA	Surface Mounting Arm
2.) GI-ACC-EPJB	Junction Box
3.) GI-ACC-EPSSP	Straight Swing Pipe
4.) GI-ACC-EP25S	25° Degree Pole Support
5.) GI-ACC-EP90S	90° Degree Pole Support



optional*

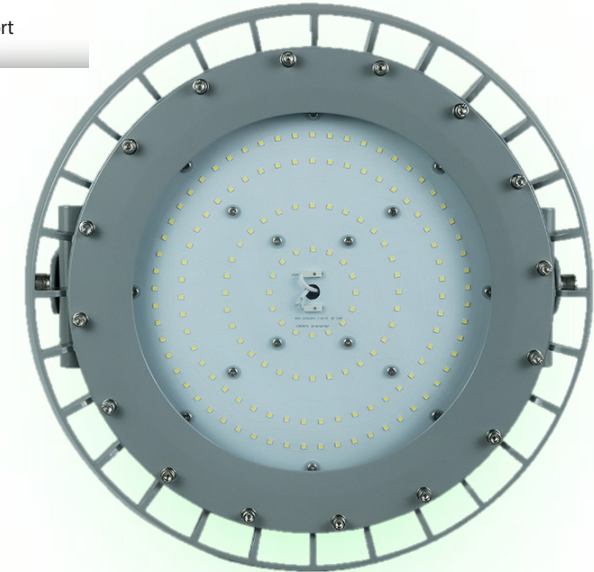
Features

- Rated for high temperatures, humidity, dust and vapor locations
- Built for a variety of purposes such as spot light, tunnel light, and general illumination in hazardous locations
- Light weight design
- Heavy duty and high impact resistance
- Various installation options for particular applications
- Non-dimmable

Distribution Diagram

Center Beam fc	Beam Width	
4ft	683fc	11ft
8ft	170fc	21ft
12ft	73fc	32ft
16ft	39fc	43ft
20ft	26fc	53ft

■ Vert, Spread; 120°
■ Horiz, Spread; 120°



Not all product variations listed on this page may be DLC qualified. Visit www.designlights.org/search to confirm qualification.

