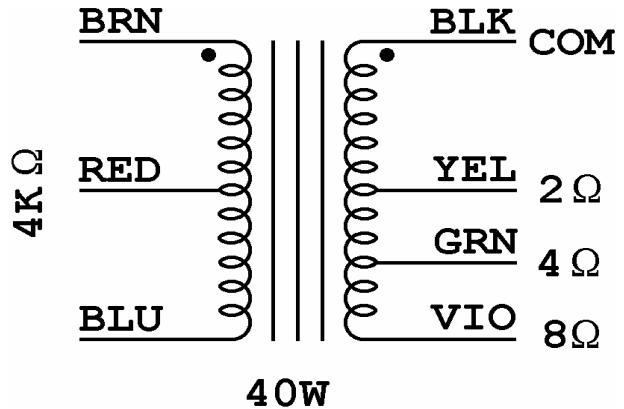
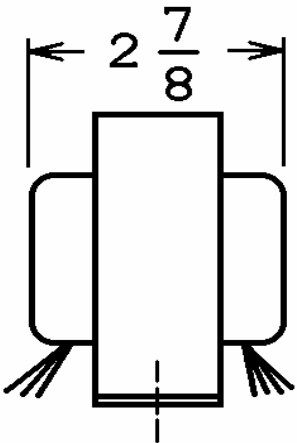
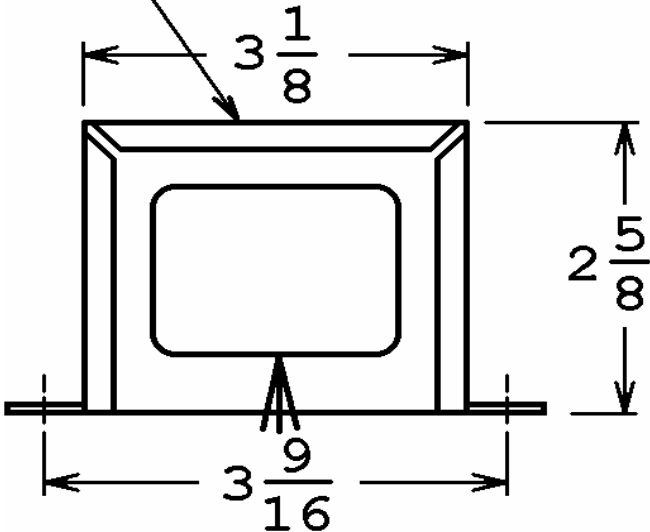


This drawing is the property of Magnetic Components, Inc. and shall not be reproduced, in whole or in part, without the written permission of Magnetic Components, Inc.

REVISIONS			
LTR	DESCRIPTION	DATE	APPROVED

**Classic Tone™**  
 By Magnetic Components, Inc.  
 40-18105  
 166-DATE  
 MADE IN U.S.A.



UNLESS OTHERWISE SPECIFIED		SIGNATURES		DATE		MAGNETIC COMPONENTS, INC.		DIV : LOC : SCHILLER PK		
ALL DIMENSIONS IN INCHES DO NOT SCALE DRAWING		DRAWN : <i>[Signature]</i>		02 JAN 2015		TITLE <b>OUTLINE</b>				
CHECK :		APPR : <i>[Signature]</i>		02 JAN 2015		CAGE	50508	SIZE	PART No.	REV
FRACTIONS +/-						SCALE	NONE	<b>A</b>	<b>40-18105</b>	-
.X = +/-								SHEET :		
.XX = +/-										
.XXX = +/-										
ANGLES = +/-										