

Catalog #:	
Project :	
Type :	Date:
Notes:	

LED Mini-Wall Pack with Photocell

TL-MWP1™ Series

DESCRIPTION

High-Impact (PC) Polycarbonate Lens is UV Stabilized to prevent yellowing. Built-in durable Dusk-to-dawn Photocell for increased energy savings. 100% Mercury Free and 100% Lead Free.

APPLICATIONS

Ideal for outdoor & wet location applications: Entry ways, walkways, restrooms, storage units, stairwell, parking lots, & patios.



QUICK SHIP:

TL-MWP1-20W-50K
TL-MWP1-30W-50K

Specification Features



Controls / Dimming

Suitable for use with sensors and daylight harvesting to achieve deeper energy-savings and code compliance. Sensor accessory available: occupancy sensing with daylight cut-off and photocell

Optical System

Excellent Optic design, greatly improved the light utilization and evenness.

Warranty

5 Years Limited Warranty. See warranty documentation for more information.

Electrical

High efficiency LED Driver, the wide range input voltage AC100-277V for convenient installation. Reduces energy consumption up to 60%

Certification

It complies with UL certification, safe and reliable.

Installation / Mounting

Wall Pack comes standard mounting plate for quick and easy installation

Ordering Information

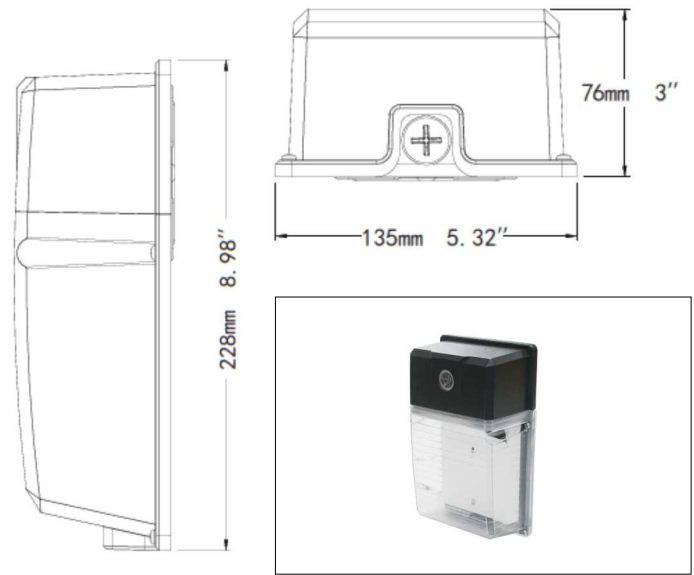
Example: TL-MWP1-20W-H-50K

TL	MWP1	20W	H	50K	[BLANK]	[BLANK]
Brand	Series	Nominal Wattage	Lighting Effect	Color Temp	Input Voltage	Dimming/Hz
TL TechnoLED	MWP1 LED Mini Wall Pack	20W 20 Watt 30W 30 Watt	[Blank] H	50K 5000K	[Blank] AC100-277V	[Blank] 50/60Hz
[BLANK]						
Controls/Options						
[Blank] On/Off Photocell						

Lighting Parameters

Input Voltage	AC100-277V
The color of the lamp shell	Brown
Mounting	Wall Mount
Turn-on Light Level	<30Lux
Turn-off Light Level	>100Lux
CCT	5000K
CRI	Ra>80
Luminous efficacy	110LM/W
PF	>0.90
Beam Angle	90° x 100°
Input Current	0.22A / 0.3A / 0.4A / 0.8A
Working temperature	-4°F~104°F
Storage temperature	-22°F~122°F
Environment Location	Wet Location
Life Span	≥50000H

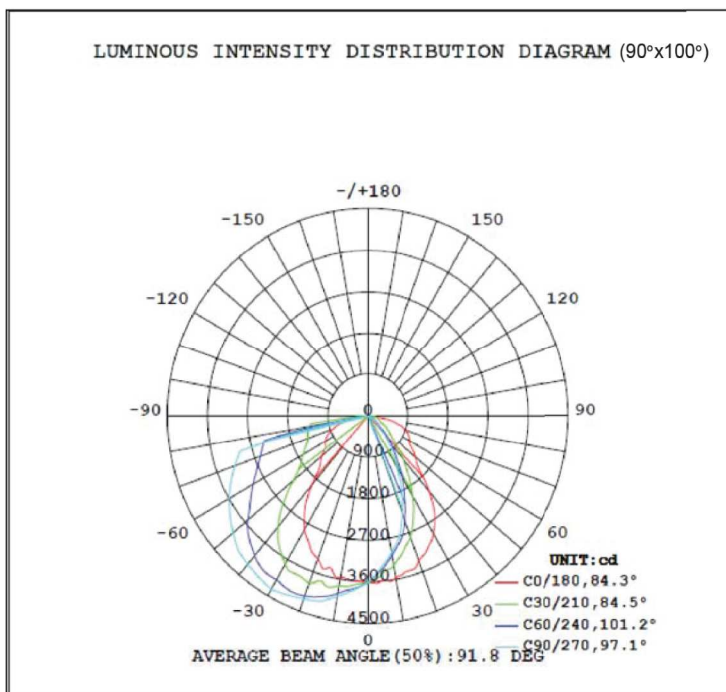
Product Dimension



Application



Photometric data



Safety Information

- Using the standard working voltage: AC100~277V, 50/60Hz, do not exceed.
- Be sure the power supply is turned off before Installation.
- Switch off power of the mains supply or the connection lead respectively before doing any works.
- Please note waterproof, dustproof, electricity prevention and shockproof for the external power wires.
- Directly fix bolts on the installation stem through the hole on the mounting bracket.
- Be sure the connection between the wires is in good condition when install the lamps, beware of leakage.
- Please read the specification carefully before installation.
- The complete installation must be handled by an electrical expert.

Installation Instruction

1. Use screwdriver to rive the screws of lamp cover, and then take down the cover.

2. Use screwdriver to rive the reflector screws , and then remove the reflector.

3. Put the pad on the concave side of the lamp. It aims to avoid the damage of back shell when it struck by hammer. Then hammer the plugs of the cable entry and mounting hole.

4. Pasting the foam to the back shell. Attention: the hole on both should be matched.

5. Pass the input line in the embedded box through the waterproof pad and then pass it through the lamp base.

6. Lock the lamp base with the screw on the embedded terminal box.

7. Connect the lamp input line, then put the connected wires into the embedded terminal box.

8. Screw down the reflector with screws.

9. Use screws to tighten up the lamp, then installation completed.

Packing Information

Power	Inner Carton Size (L×W×H)	Outer Carton Size (L×W×H)	Qty/Carto (pcs.)	N.W./Ctn (lbs.)	G.W./Ctn (lbs.)
14W/20W/26W/30W	9.25**5.6**3.31" (235*142*84mm)	17.52**17.6**10.0" //(445*448*255mm)	15 pcs.	1.9 lbs.	42.3 lbs.

Model	Description	Watt	Lumens	VAC Voltage	THD	PF	Weight	DLC QPL#
TL-MWP1-20W-H-50K	Mini Wallpack	20	2,200	120-277	≤20%	>0.9	2 lbs.	PLU61ZGXRE6L
TL-MWP1-30W-H-50K	Mini Wallpack	30	3,300	120-277	≤20%	>0.9	2 lbs.	PLLDCE28P6X3

