

NOTES: UNLESS OTHERWISE SPECIFIED

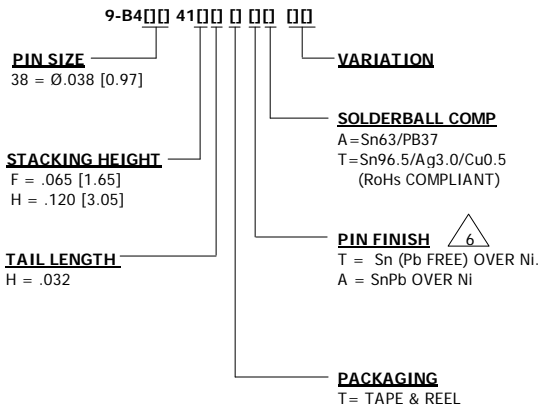
- INTERPRET DRAWING IN ACCORDANCE WITH ASME Y14.5M -1994.
- PARTS TO BE PACKAGED IN TAPE & REEL PER EIA STD-481.
- MATERIALS: PIN= COPPER; INSULATOR= FR-4 GLASS EPOXY; SOLDERBALL MATERIAL= SnPb (BLACK) & Pb FREE (BLUE).
- RECOMMENDED PICK HEIGHT: .022 [0.56] FROM TOP OF POCKET.
- SOLDERABILITY PER IPC/EIA J-STD-002, TEST A, CATEGORY 3.
- PREPROCESSED COPPER PIN TO BE PLATED WITH 300µ"-500µ" [7.60µm-12.7µm] THICK MATTE Sn (Pb FREE) OR SnPb OVER 100µ"-200µ" [2.54µm-5.08µm] Ni, INSPECTED PER AUTOSPlice WORK INSTRUCTION 4.10-14 REV 'A'.

**PART NUMBER LIST**

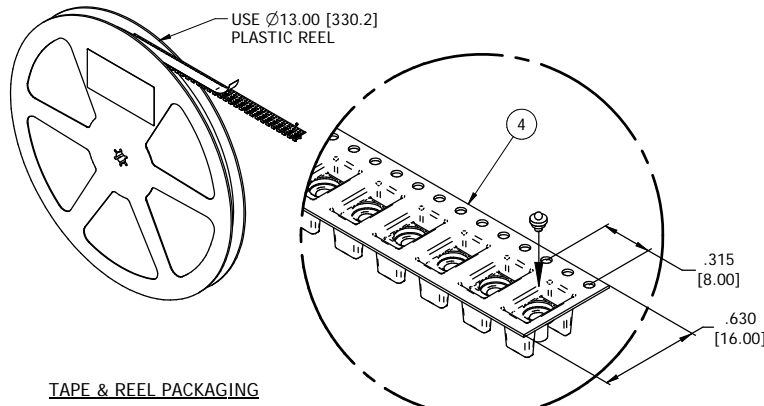
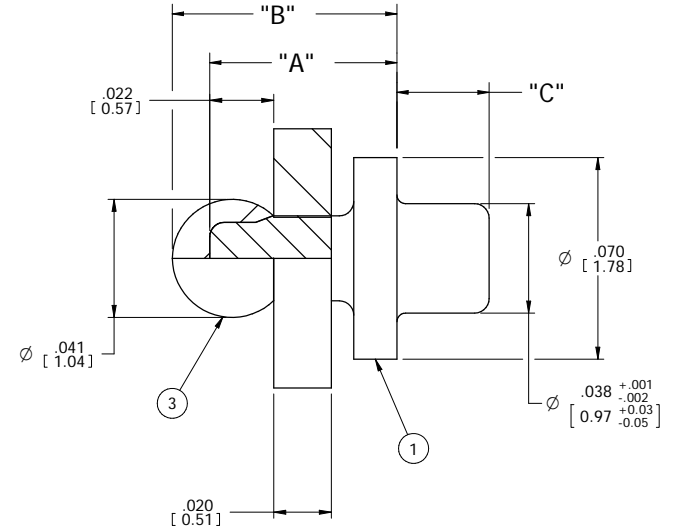
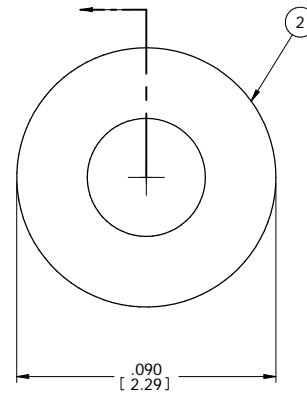
| PART NUMBER    | "A"            | "B"                      | "C"                                   | "Y"            | "Z" MIN        | INSULATOR COLOR | QTY/REEL  |
|----------------|----------------|--------------------------|---------------------------------------|----------------|----------------|-----------------|-----------|
| 9-B43841FHHTTA | .065<br>[1.65] | .078±.004<br>[1.98±0.10] | .032+.000/-0.002<br>[0.81+0.00/-0.05] | .070<br>[1.78] | .042<br>[1.06] | BLACK           | 2,000±15% |
| 9-B43841FHHTT  |                |                          |                                       |                |                | BLUE            |           |
| 9-B43841HHHTTA | .120<br>[3.05] | .133±.004<br>[3.38±0.10] |                                       | .125<br>[3.18] |                | BLACK           | 1,700±15% |
| 9-B43841HHHTT  |                |                          |                                       |                |                | BLUE            |           |
| 9-B43841HHHTAA |                |                          |                                       |                |                | BLACK           |           |

| REV | REVISION RECORD  | ECN    | BY  | APVD | DATE      |
|-----|--|--------|-----|------|-----------|
| A   | INITIAL RELEASE  | 505122 | HR  | PVB  | 09/20/07  |
| B   | CHANGE "HOLE SIZE" TO "PIN SIZE"                                 | 505224 | HR  | PVB  | 12/18/07  |
| C   | ADD P/N PER EWR105675  | 505160 | HR  | PVB  | 01/29/08  |
| D   | CHANGE PLATING NOTE PER EWR106140                                | 505527 | HR  | PVB  | 9/4/2008  |
| E   | CHANGE PLATING NOTE PER EWR106568                                | 505810 | RJB | PVB  | 7/10/2009 |
| F   | ADDED P/N 9-B3841HHHTAA & ADDED "A" TO PIN FINISH PER EWR 107154 | 506197 | KR  | PVB  | 3/7/2011  |
| G   | NOTE 6 ADDED "OR SnPb"   | 506212 | KR  | PVB  | 3/23/2011 |

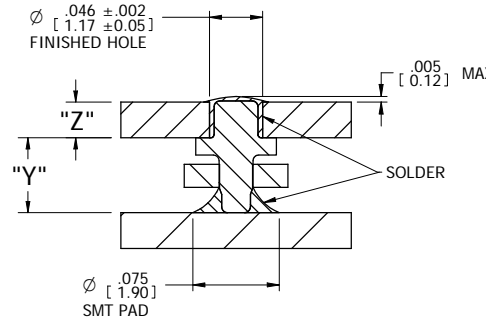
**PART NUMBER BREAKDOWN**



(FOR ALL NEW PART NUMBERS CONSULT THE APPROPRIATE PART NUMBER LOG)



**TAPE & REEL PACKAGING**



**SUGGESTED APPLICATION VIEW**

**MATERIAL:**

- PIN:** COPPER
- INSULATOR:** FR-4 GLASS FILLED EPOXY
- SOLDERBALL:** SnPb (BLACK) & Sn (BLUE) Pb FREE
- PACKAGING TAPE:** ANTI-STATIC, CONDUCTIVE POLYSTYRENE, COLOR: BLACK

**CUSTOMER DRAWING**

|  |                |                         |                           |   |             |
|--|----------------|-------------------------|---------------------------|---|-------------|
| TOLERANCES UNLESS OTHERWISE SPECIFIED DIMENSIONS IN INCHES (mm)        |                | <b>autosplICE</b>       |                           | AutosplICE, Inc.<br>10121 Barnes Canyon Rd.<br>San Diego, CA 92121-2725<br>858.535.0077 |             |
| DECIMAL: .XX = ±.01<br>[XX] = ±[0.3]<br>XXX = ±.005<br>[XXX] = ±[0.13] | ANGULAR: ±5°   | DATE: 12/01/01          | ENGINEERED BY: H REYNOLDS | DATE: 12/01/06  | REVISION: G |
| TITLE: <b>STD SOLDERBALL PIN ASSEMBLY</b>                              |                |                         |                           |   |             |
| SIZE: C  | FORM NO: OAE89 | ORDER NUMBER: C9-B43841 | REV: 1                    | DATE: 2011  | REV: 1      |

The drawing and the information set forth hereon are the property of AutosplICE, Inc. and are to be held in trust and confidence. Publication, disclosure, or use for any purpose not expressly authorizing in writing by AutosplICE, Inc. is prohibited.