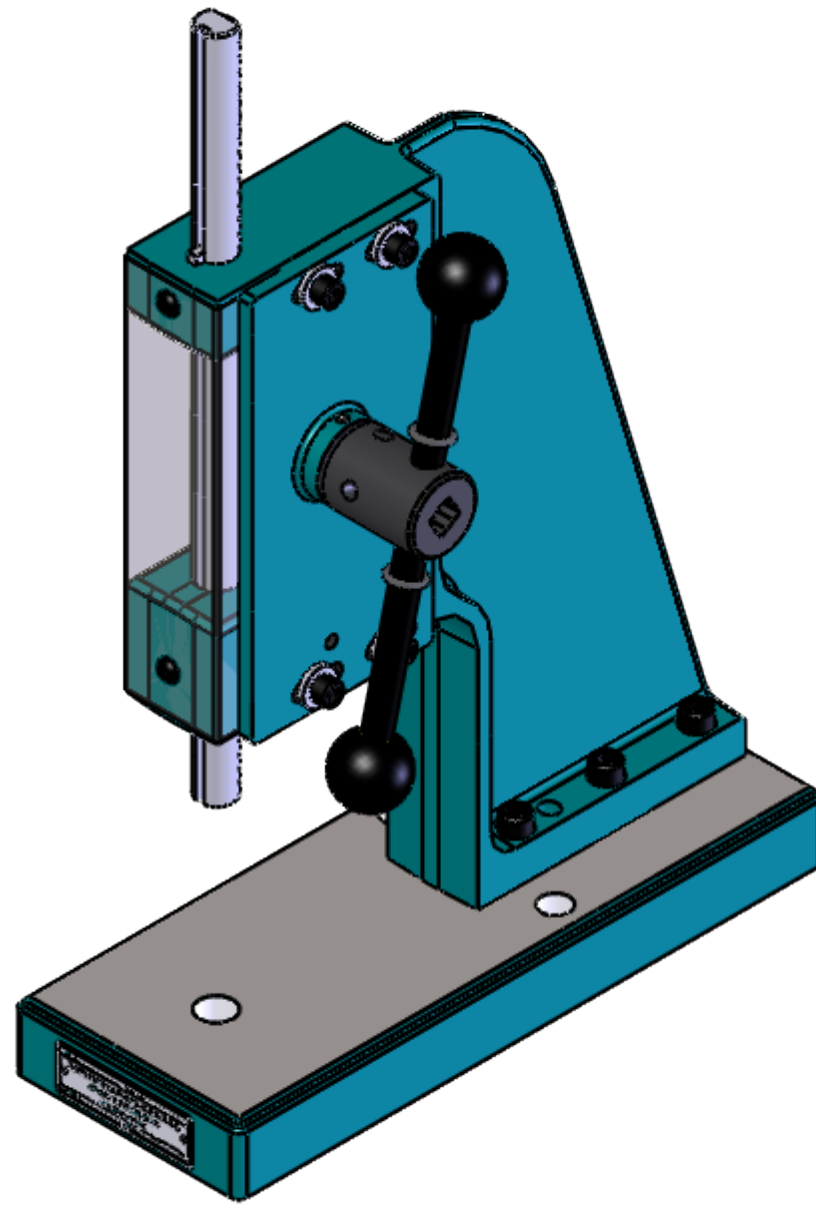
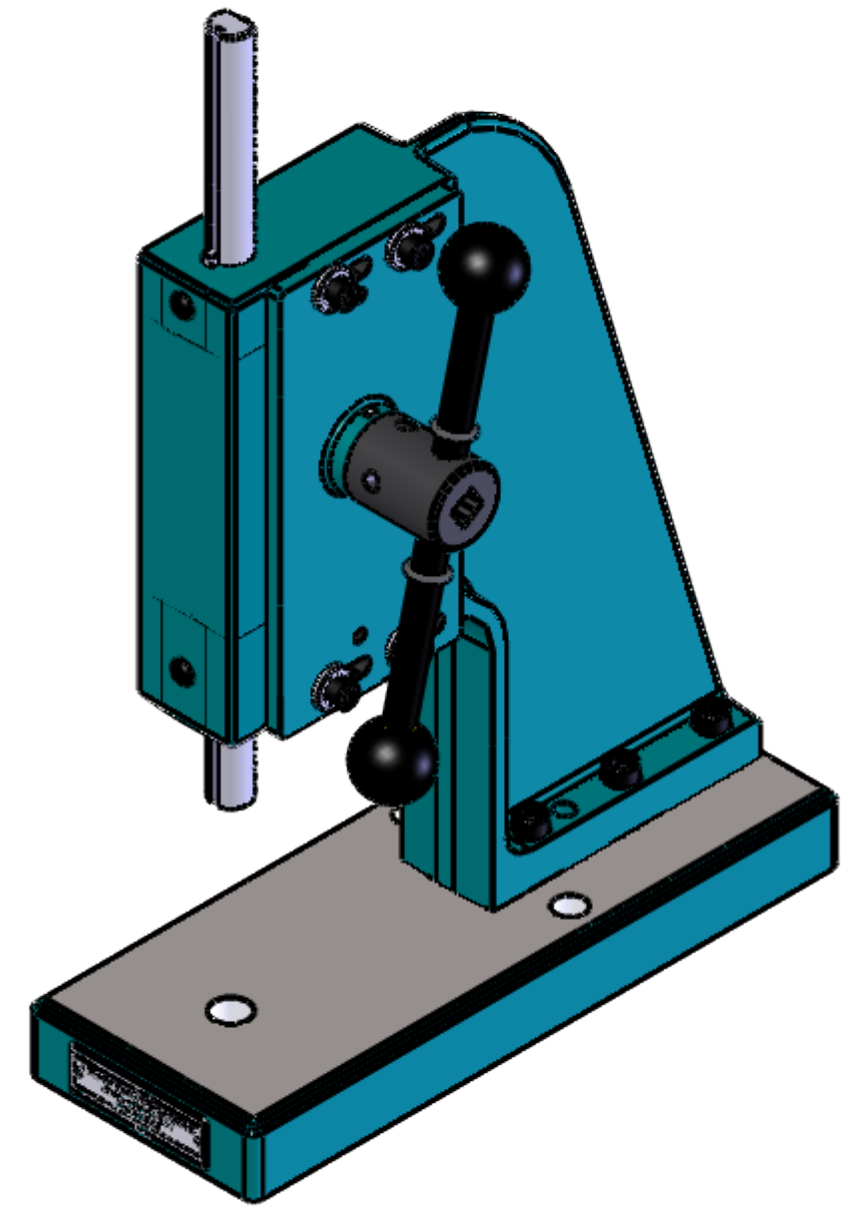


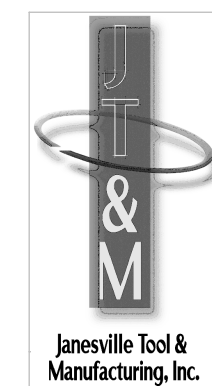
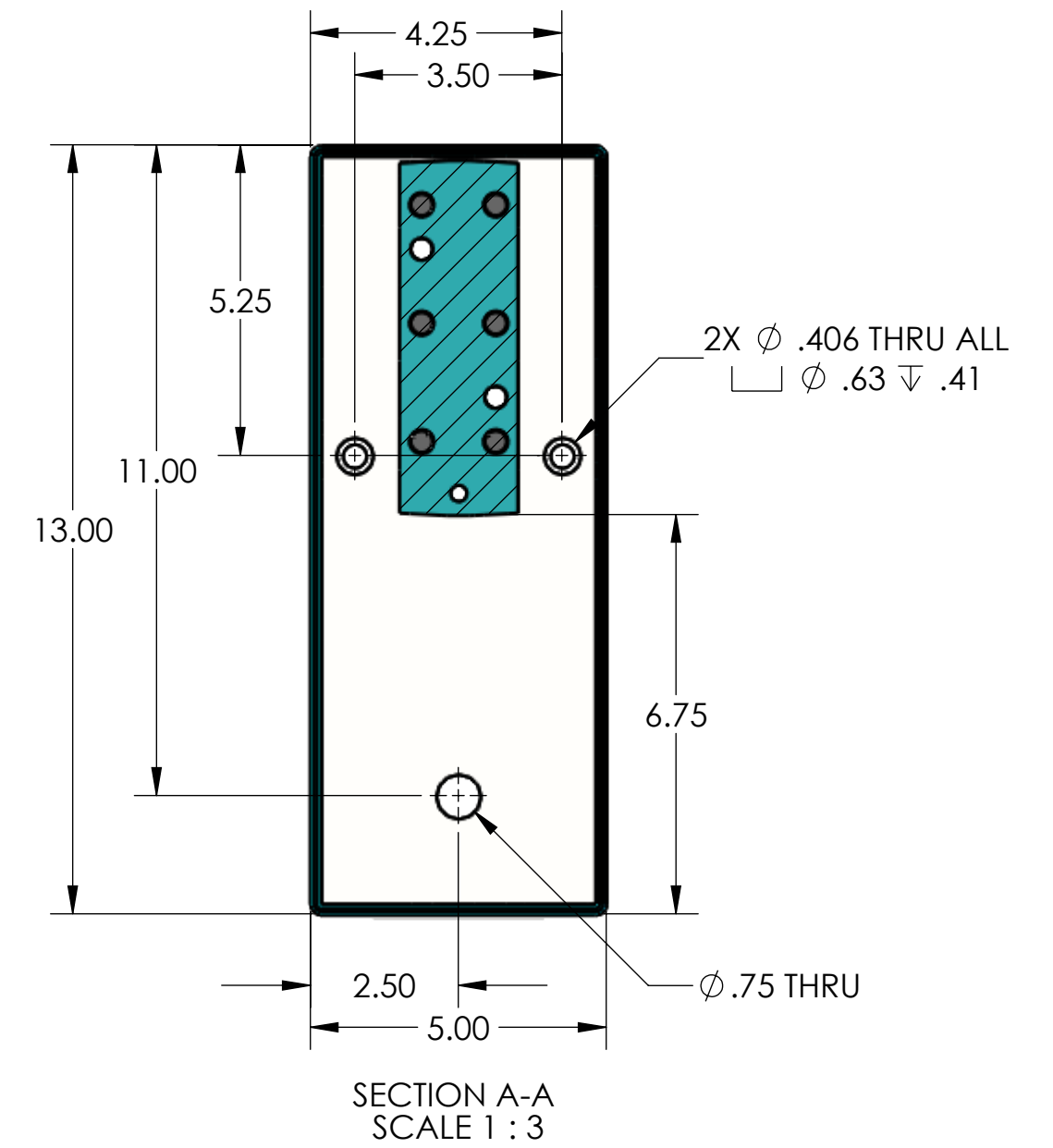
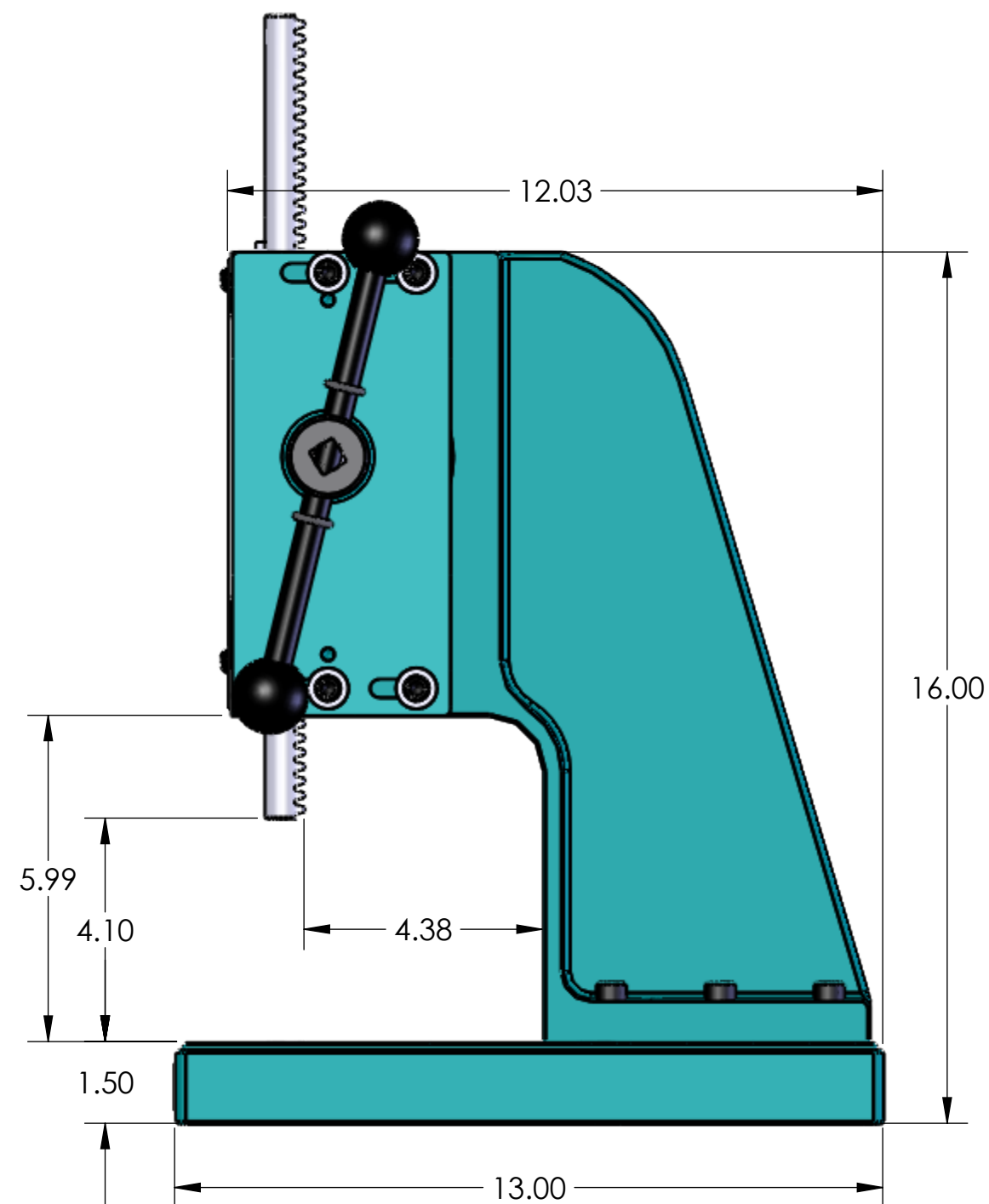
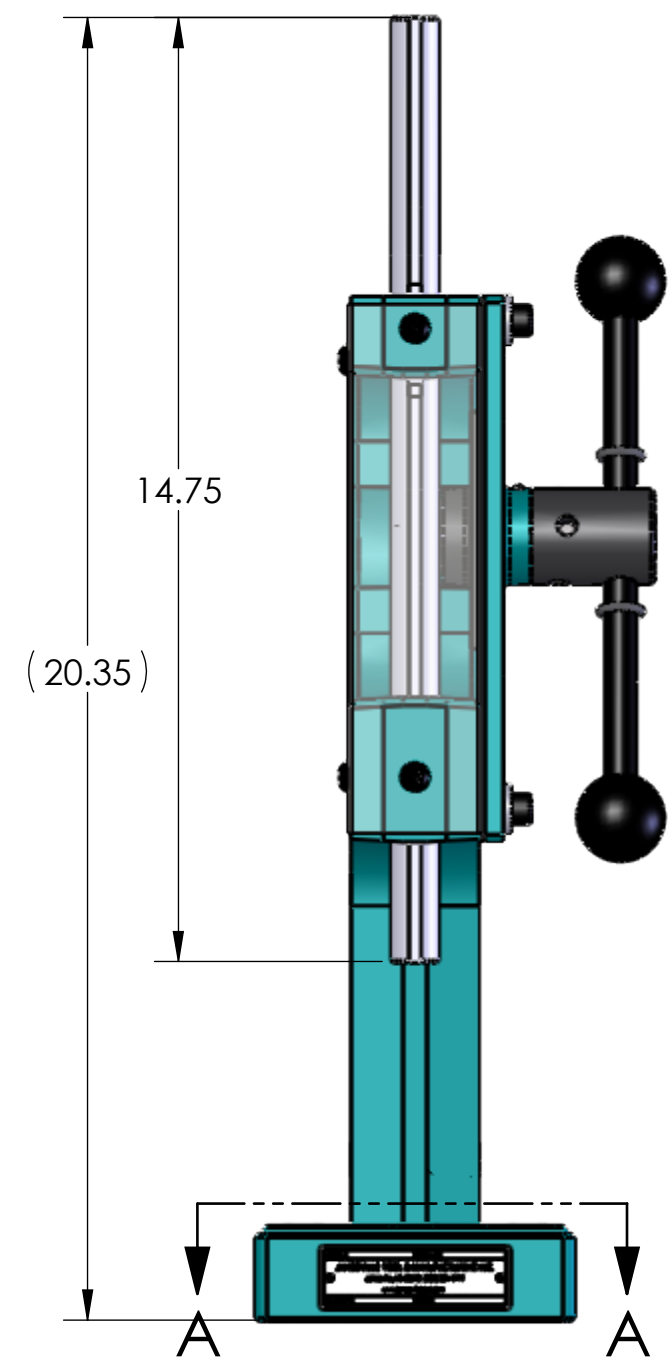
T-963



T-965



T-967



**Janesville Tool & Manufacturing Inc.**  
 3930 Enterprise Drive  
 Janesville, WI 53546  
 Phone: 608-314-1620, Fax 608-314-1625

TITLE:  
**GEAR DRIVE PRESS**

SIZE	DWG. NO.	REV
<b>C</b>	T-963/T-965/T-967	

SCALE: 1:8 WEIGHT: 55.17 SHEET 1 OF 1