

Project Name:	
Type:	

DA-010V

DALI to 0-10V Converter

PRODUCT FEATURE

The DA-010 is a non-isolated signal converter translating the DALI command into 0-10V dimming signal for LED driver with 0-10V dimming control. This design complies to IEC 62386-101, 102, 207 DALI standard protocol. It is a perfect solution to convert standard fixture to be controlled in DALI control environment.

WARRANTY

- See [Limited Warranty Policy](#) for more additional information



ELECTRICAL CHARACTERISTIC

MODEL: DA-010		SPECIFICATIONS
OUTPUT	Output Voltage	0-10Vdc
	Output 0-10 SINK Current	$\leq 2\text{mA}$
	Voltage Tolerance	$\pm 5\%$
INPUT	Input Voltage	12-22.5Vdc
	Input Current	$\leq 2\text{mA}$ (0-10Vdc no load)
	DALI Input Current	$< 2.5\text{mA}$
ENVIRONMENT DESCRIPTION	Working Temperature	-25°C - +60°C
	Working Humidity	20 - 90RH (No Condensation)
	Storage Temperature & Humidity	-30°C - + 60°C (Six months under class I environment); 10 - 90%RH (No Condensation)
SAFETY AND ELECTROMAGNETIC COMPATIBILITY	Certification	CE Compliant
	Electromagnetic Emission	Conform to EN55015
OTHER	IP Rating	IP20
	RoHS	Fully Compliant
	Warranty	2 Years
	Implementation Standard of DALI	IEC 62386-101, 102, 207 (DT6 LED)

DA-010V

DALI to 0-10V Converter

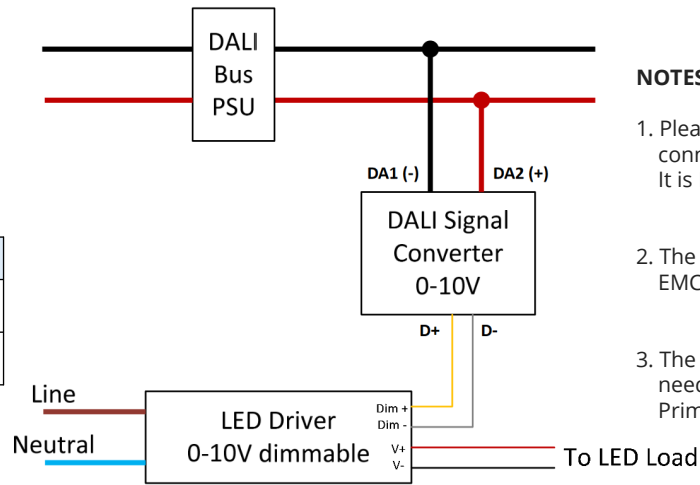
DIMMING INSTRUCTION

Description of Terminals

INPUT	
DA1 (-)	DA1 Signal
DA2 (+)	DA2 Signal

OUTPUT	
D+	0-10V signal output terminal +
D-	RTN wire

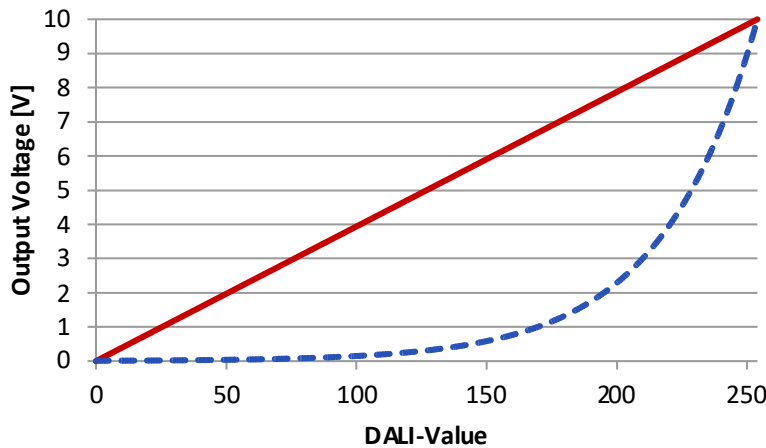
WIRING DIAGRAM



NOTES:

1. Please keep attention on the connection to the DALI line: It is Polarized.
2. The LED driver needs to be EMC compliant.
3. The LED driver dimming wires need to be isolated from Primary leads.

0-10V DIMMING CURVE CHART

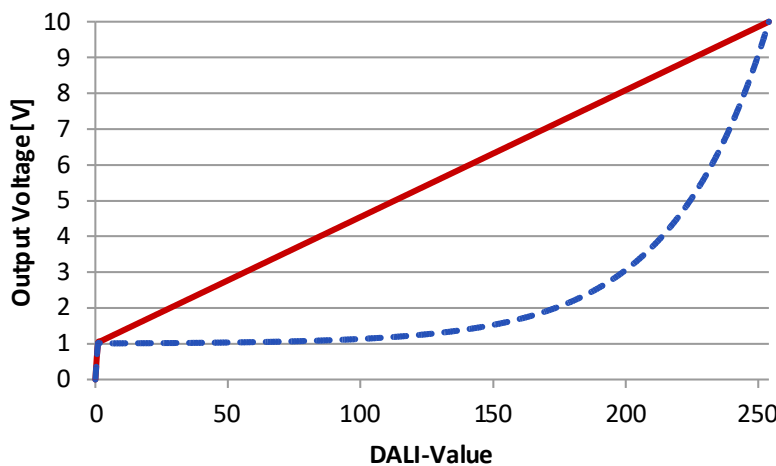


Output range 0 - 10V:

control characteristic:

DALI 0-254 is transformed to 0-100% output voltage

- linear, 0-10V
- - - logarithmic, 0-10V



Output range 1 - 10V:

control characteristic:

DALI 0 correlates with a voltage below 0.4V with clear gap to < 5%.

DALI 1-254 is transformed to 10%-100% output voltage

- linear, 1-10V
- - - logarithmic, 1-10V


Project Name:	
Type:	

DA-010V

DALI to 0-10V Converter

MECHANICAL DIMENSIONS AND OUTPUT PIN ASSIGNMENT (RECOMMENDATION)

ARTWORK

		DALI to 0-10V Converter	
Model: DA-010	P/N: 22-1020	Rev: A	
CE SELV	Ta: -25°C ~ +60°C	Tc: 75°C	
IP20 DALI	IEC62386-101 102 207		
INPUT	OUTPUT		
Signal: DALI	Signal: 0-10V		
Current: ≤2.5mA	Current: ≤2mA		
DC: 12-22.5V	Made in china		
DA1(-) DA2(+)	D+	D-	

