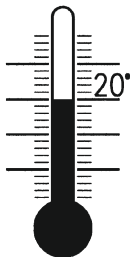
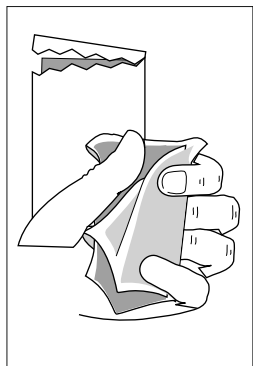


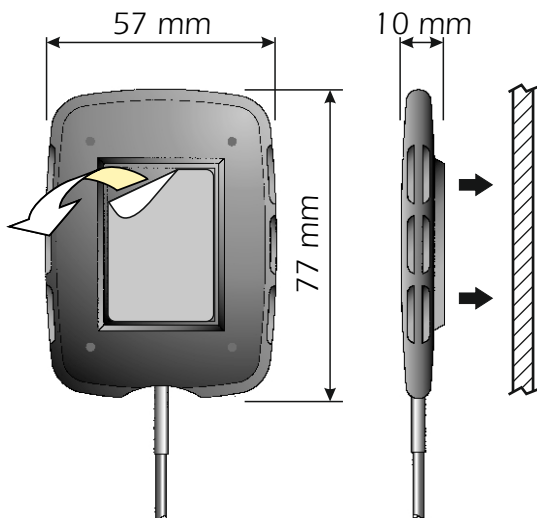
MOUNTING INSTRUCTIONS

1: Choose the best mounting position **far away from any metallic parts**

2: Moreover, we suggest to clean carefully the surface and to proceed with the installation at a temperature of 20°C or higher.



3: Remove the protective film avoiding to touch the adhesive tape with your hands. Proceed by sticking the antenna on the window and pressing uniformly on its whole surface to get a perfect adhesion.



INGLASS LOW PROFILE MULTI BAND

ISM 868 MHz, GSM dual, UMTS bands

MAIN FEATURES

- Very low profile multi band antenna
- Installation: adhesive mount for glass, plastic box, wall, wood surfaces (NOT SUITABLE FOR METALLIC SURFACES)
- 3M adhesive tape for permanent fitting



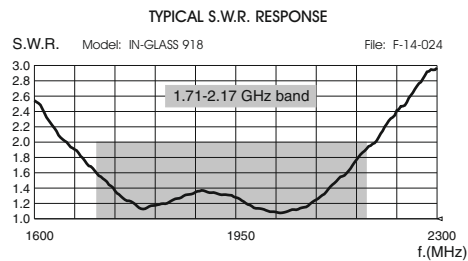
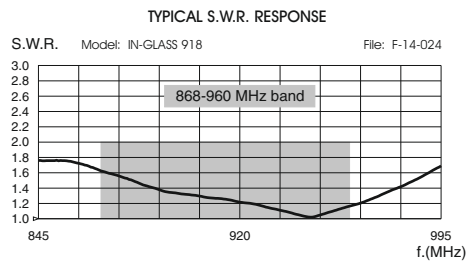
SPECIFICATIONS

Electrical Data

Type:	Indoor Adhesive Antenna
Frequency Range	868 - 960 MHz @ SWR ≤ 2 (ISM 868, GSM 900) 1.71 - 2.17 GHz @ SWR ≤ 2 (GSM 1800, UMTS)
Impedance:	50 Ω Unbalanced
Radiation:	Omnidirectional
Polarization:	Vertical
Gain:	0 dBd, 2.14 dBi all bands
Max Power:	10 Watts
Connector type:	FME-female or SMA-male
Cable Type / Length:	RG 174 AVU / 3 m (other length on request)

Mechanical Data

Materials:	PCB, Thermoplastic, Copper
Dimensions (approx.):	57 x 77 x 10 mm
Weight (approx.):	70 gr
Mounting:	Adhesive tape. Suitable for «not metallic» surfaces



SWR test effected with 10cm cable



HI-QUALITY ANTENNAS MADE IN ITALY

SUITABLE INSTALLATIONS

