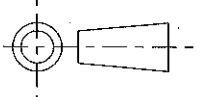


ISS.	DATE	E.C.N.	DESCRIPTION
1	26-Apr-07		FIRST ISSUE
1A	26-Jan-11	10/09/1254	DIM. TOLLERANCES CHANGED + NOTE ADDED

© 2010 CTP-COIL
ALL DIMENSIONS IN mm



CUSTOMER DRAWING



CARCLO TECHNICAL PLASTICS (SLOUGH)
111 BUCKINGHAM AVE, SLOUGH
SL1 4PF, ENGLAND
TEL: +44 1753 575011 FAX: +44 1753 811359
e-mail: design@carclo-optics.com}

GENERAL TOLERANCES (UNLESS STATED)

LINEAR	ANGULAR
X +/- 0.25	X +/- 1°
X.X +/- 0.1	X.X +/- 0.5°
X.XX +/- 0.05	X.XX +/- 0.1°

CUSTOMER

CARCLO

TITLE

SOFT WIDE BEAM 1.4MM OFFSET
FOCUS 20 MM DIA OPTIC

DRAWN AJD DATE 26-Apr-07

CHK'D DATE

APP'D DATE

SCALE

2:1

CARCLO PART No.

10202

SIZE

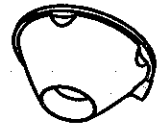
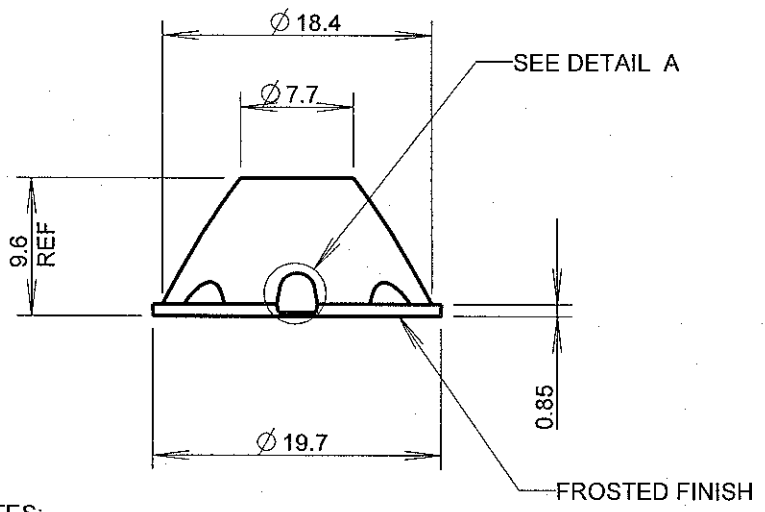
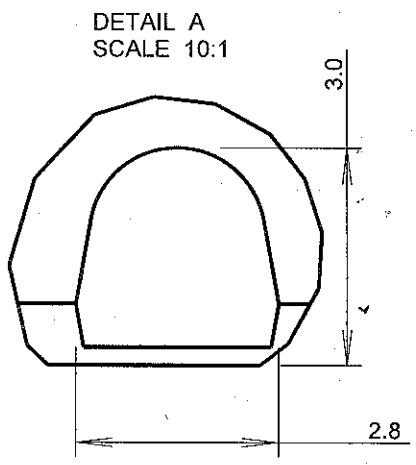
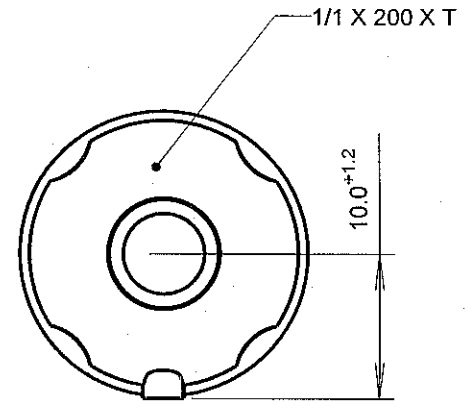
A4

CARCLO DRG. No.

60462

SHEET

2 OF 2



3D VIEW
SCALE 1:1

- NOTES:
1. MATERIAL - UV STABILISED POLYCARBONATE
2. INCLUSIONS SPECIFIED TO BS4301