

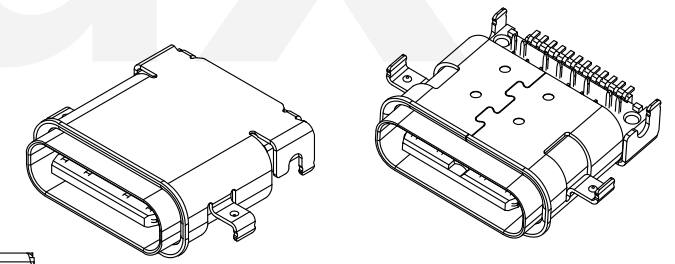
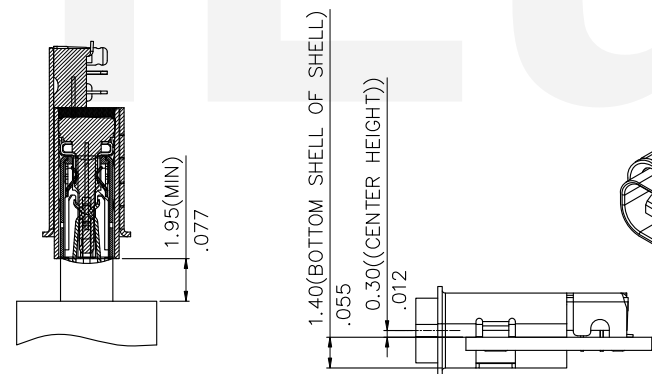
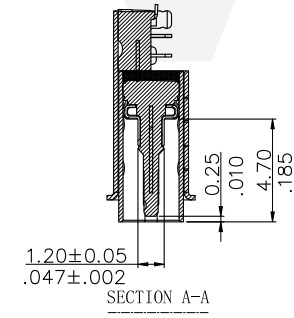
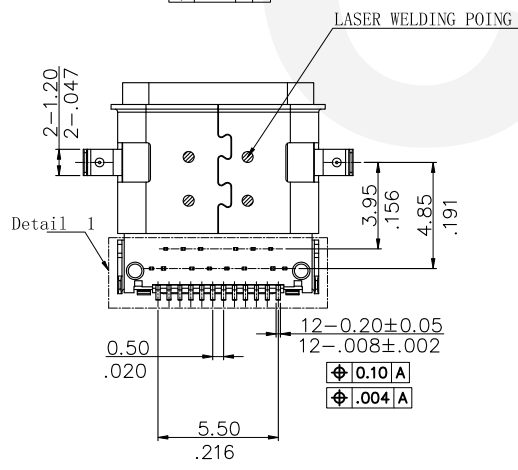
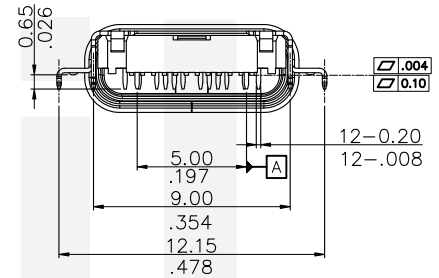
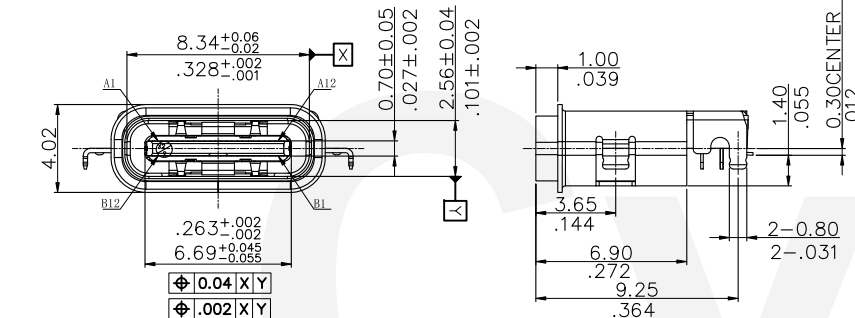
MATERIAL:
 1.HOUSING: PA46, BK
 2.CONTACT: COPPER ALLOY
 3.GUARD PLATE: STAINLESS STEEL
 4.MID PLATE: STAINLESS STEEL
 5.SHELL: STAINLESS STEEL
 6.WATERPROOF RING :LIQUID SILICA GEL

FINISH:
 CONTACT: SEE ORDER INFORMATION
 SHELL: NICKEL PLATING

Ordering Code:

CU39 24 S * S F D R 003 -LF
 ① ② ③ ④ ⑤ ⑥ ⑦ ⑧ ⑨ ⑩

- ① Series No.
- ② No. of Circuits
- ③ S= Socket
- ④ Plating option:
F= Selevtive 15u” Gold plated on contact ared and, Gold Flash plated on the other parts,Both of them areover 50u” Nickel
- ⑤ Shell Material & Plating :S= Stainless steel
- ⑥ Contact Material: F= Copper Alloy
- ⑦ Insulator Material & Color option:
D= High Temp Black
- ⑧ Packing Option: R= Tape & Reel
- ⑨ 003=Waterproof Type (IP67)
- ⑩ -LF= For Lead Free IR Reflow Process



Lead Free Process RoHS compliant

④					DATE	UNIT: mm / inch	TITLE:
③						TOLERANCE	CU39 TYPE C/F 24PIN H1.4mm
②						UNLESS OTHERWISE SPECIFIED	BOARD SMT TYPE WATERPROOF
①						.X ± 0.25/010	MATERIAL:
						.XX ± 0.20/008	.X' ± 4'
						.XXX ± 0.10/004	.X' ± 2'
							FINISH:

CVILUX
 2020.08.06
 ISSUED

DRAWN BY: Kevin
 ENGINEER: Kevin
 CHECKED BY: Keny
 APPROVED BY: Keny

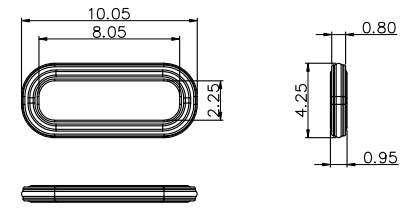
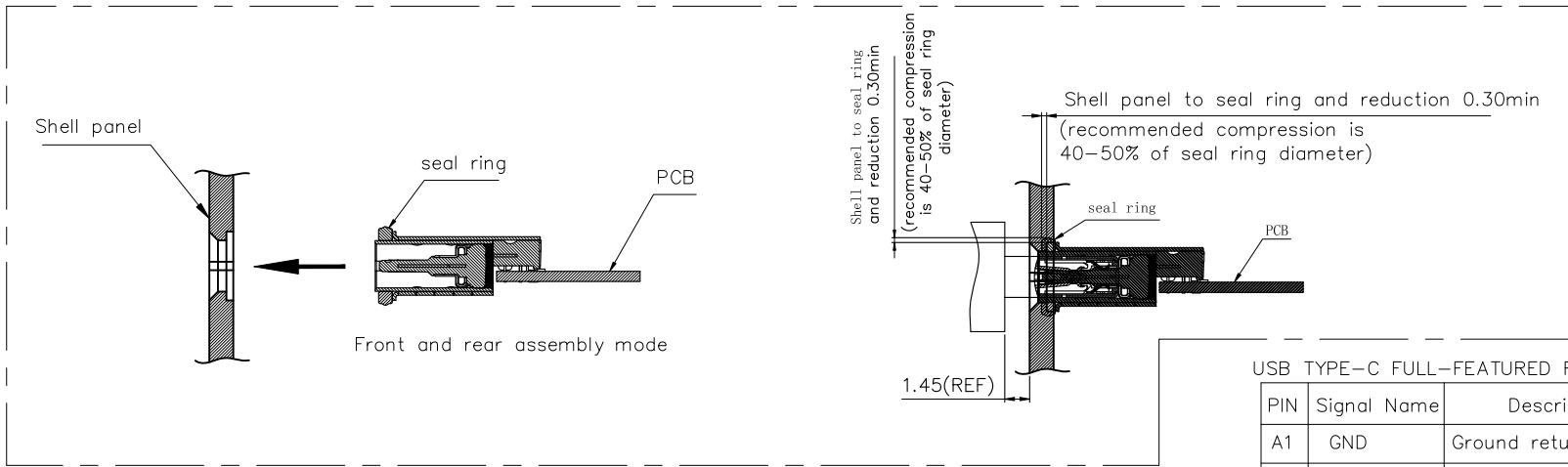
5/26-20'
 5/26-20'
 5/26-20'
 5/26-20'

MATERIAL:
 FINISH:

瀚荃股份有限公司
 CviLux Corporation

DRAWING NO. CU39S03SA PART NO. CU3924S*SFDR003-LF

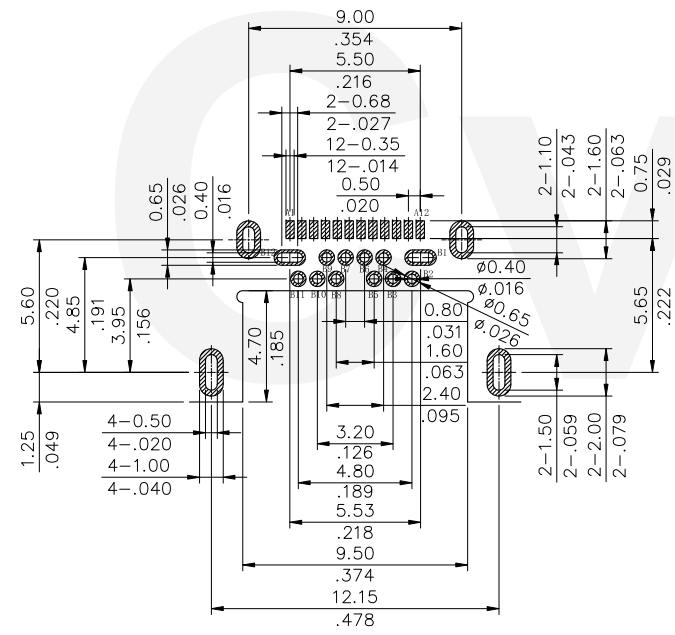
SCALE 1/1 SHEET 1 OF 3



Recommended specification of waterproof ring (material: silicone rubber)

USB TYPE-C FULL-FEATURED RECEPTACLE INTERFACE PIN ASSIGNMENTS

PIN	Signal Name	Description	PIN	Signal Name	Description
A1	GND	Ground return	B12	GND	Ground return
A2	SSTXp1	Positive half of first SuperSpeed TX differential pair	B11	SSRXp1	Positive half of first SuperSpeed RX differential pair
A3	SSTXn1	Negative half of first SuperSpeed TX differential pair	B10	SSRXn1	Negative half of first SuperSpeed RX differential pair
A4	VBUS	Bus Power	B9	VBUS	Bus Power
A5	CC1	Configuration Channel	B8	SBU2	Sideband Use(SBU)
A6	Dp1	Positive half of the USB 2.0 differential pair-Position 1	B7	Dn2	Positive half of the USB 2.0 differential pair-Position 2
A7	Dn1	Negative half of the USB 2.0 differential pair-Position 1	B6	Dp2	Negative half of the USB 2.0 differential pair-Position 2
A8	SBU1	Sideband Use(SBU)	B5	CC2	Configuration Channel
A9	VBUS	Bus Power	B4	VBUS	Bus Power
A10	SSRXn2	Negative half of second SuperSpeed RX differential pair	B3	SSTXn2	Negative half of second SuperSpeed TX differential pair
A11	SSRXp2	Positive half of second SuperSpeed RX differential pair	B2	SSTXp2	Positive half of second SuperSpeed TX differential pair
A12	GND	Ground return	B1	GND	Ground return

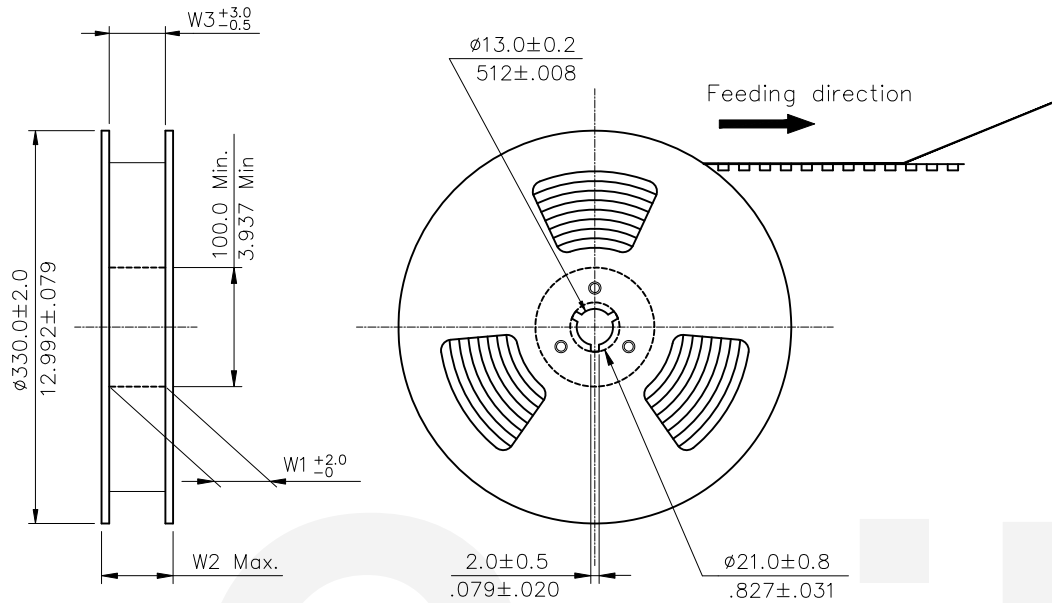


RECOMMENDED P.C.B LAYOUT(Both sides are sample)
Tolerance: ±0.05, Thickness=0.60mm

Lead Free Process RoHS compliant

4					DATE	UNIT: mm / inch	TITLE:	 瀚荃股份有限公司 CviLux Corporation	
3				DRAWN BY: Kevin	5/26-20'	TOLERANCE UNLESS OTHERWISE SPECIFIED	CU39 TYPE C/F 24PIN H1.4mm BOARD SMT TYPE WATERPROOF		
2				ENGINEER: Kevin	5/26-20'	.X ± 0.25/.010 .X' ± 4'	MATERIAL:		
1				CHECKED BY: Keny	5/26-20'	.XX ± 0.20/.008 .X' ± 2'	FINISH:		
SYM	NAME	DATE	REVISIONS	APPROVED BY: Keny	5/26-20'	.XXX ± 0.10/.004 .XX' ±	DRAWING NO. CU39S03SA PART NO. CU3924S*SFDR003-LF		
								SCALE 1 / 1	SHEET 2 OF 3

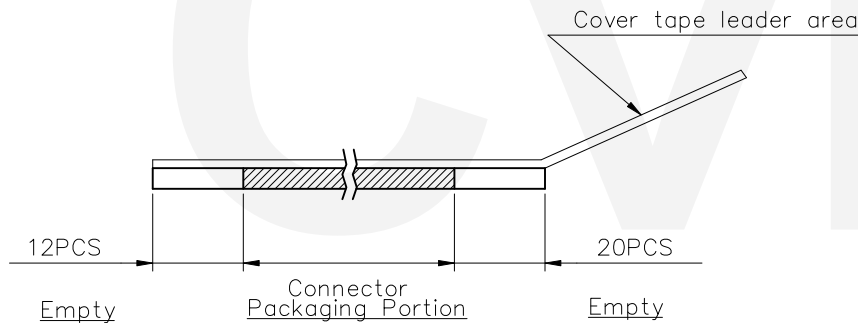
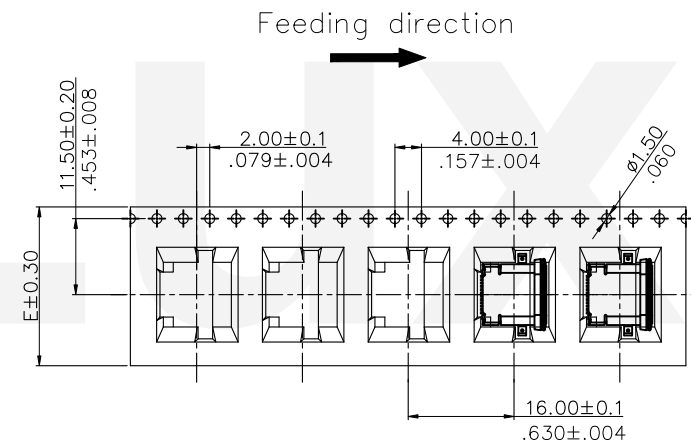
CIVILUX
 2020.08.06
 ISSUED



NOTE :

- * Reel Material : HIPS
- * Carrier Material : Clear, Conductive Polystyrene Alloy
- * Cover Tape Material : Polyester
- * Cover Tape Peel Strength : 0.1N – 1.3N
- * Carrier camber is within 1mm in 250mm
- * All dimensions meet EIA-481-B requirements.
- * Quantity : 700 PCS/Reel

Dimension				Packing (Reel/Carton)
E	W1	W2	W3	
24.0(.945)	24.5(.965)	30.5(1.201)	24.5(.965)	10



WATERPROOF RING



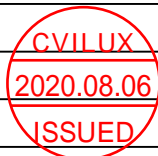
5000PCS/BAG

WATERPROOF RING Packing

BAG	(BAG/Carton)
5000 PCS	6

Lead Free Process

RoHS Compliant



4				DATE	UNIT: mm / inch	TITLE:
3					TOLERANCE	CU39 TYPE C/F 24PIN H1.4mm
2					UNLESS OTHERWISE SPECIFIED	BOARD SMT TYPE WATERPROOF
1					.X ±	.X' ± 1'
					.XX ±	.X' ±
					.XXX ±	.XX' ±
SYM	NAME	DATE	REVISIONS	APPROVED BY:		FINISH:



瀚荃股份有限公司
CviLux Corporation

DRAWING NO.	CU39S03SA	PART NO.	CU3924S*SFDR003-LF
SCALE		SHEET	3 OF 3