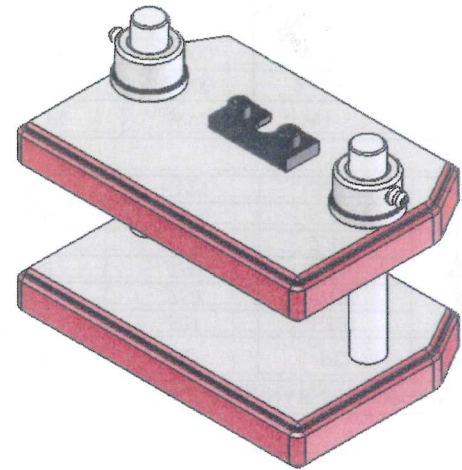
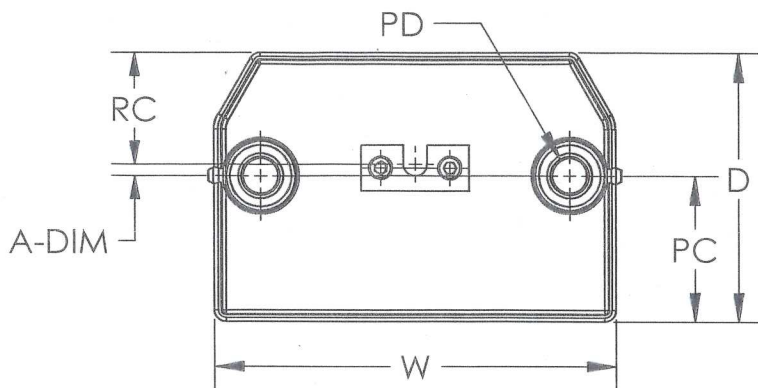


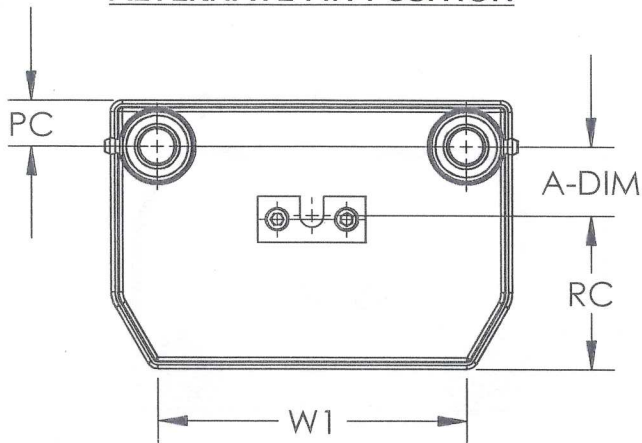
Janesville Tool & Manufacturing INC.

A36 Steel Die Set Chart

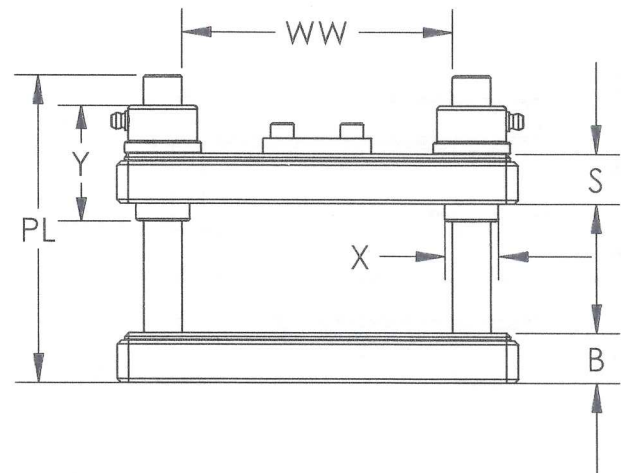
STANDARD POSITION



ALTERNATE PIN POSITION







FRONT VIEW



NOTES:

1. OPTIONAL (-A) ATTACHMENT PLATE.
500-18 FOR #1MDS, USES 2X 10-32 X .50 LG SHCS.
500-19 FOR #2-7MDS, USES 2X 1/4-20 X .5 LG SHCS.
2. 1/4-20 UNC HOLE IN LOWER DIE PLATE IS ON RAM CENTER LINE AT.

A36 STEEL DIE SETS

PART NUMBER	STANDARD POSITION DIMENSIONS				ALTERNATE PIN POSITION DIMENSIONS			
	A-DIM	PC	RC	BUSHING	A-DIM	PC	RC	BUSHING
1MDS	.063	1.063	1.125		-.063	.438	1.219	
2MDS	.125	1.438	1.313		.813	.531	1.531	
3MDS	.188	2.000	1.563		.875	.750	2.125	
4MDS	.188	2.375	1.813		1.125	.750	2.500	
5MDS	.063	2.750	2.188		1.563	1.125	2.313	
6MDS	.063	3.250	2.688		2.125	1.125	2.750	
7MDS	.063	3.500	3.438		2.313	1.125	3.563	

GENERAL DIMENSIONS

PART NUMBER	D	W	B	S	PD	PL	WW	W1	X	Y
1MDS	2.250	2.625	.625	.500	.313	3.000	1.563	2.125	.500	.750
2MDS	2.875	3.500	.750	.563	.375	3.500	2.125	2.625	.625	1.000
3MDS	3.750	5.000	.813	.625	.500	5.000	3.250	4.125	.750	1.375
4MDS	4.375	6.500	.813	.813	.625	5.000	4.375	5.375	.875	1.250
5MDS	5.000	8.500	1.000	1.000	.750	6.750	5.625	7.625	1.375	2.500
6MDS	6.000	9.500	1.000	1.000	.750	6.750	6.625	8.500	1.375	2.500
7MDS	7.000	10.375	1.000	1.000	.750	6.750	7.000	9.125	1.375	2.500