



PYXIS R  
7" SMART DISPLAY MODULE

DATASHEET

## CONTENTS

<b>Description</b>	<b>3</b>
Applications	3
<b>Specification</b>	<b>4</b>
Screen	4
Computer hardware	4
Interfaces	5
Power	5
Environment	5
Physical dimensions	5
<b>Mechanical drawings</b>	<b>6</b>
<b>Renderings</b>	<b>7</b>
Front	7
Back	7
Side	8
<b>Notice</b>	<b>9</b>

## DESCRIPTION

Pyxis R is a highly integrated display module for embedded systems allowing rapid development of graphical user interfaces, dashboards, and control panels. The module consists of a high-quality IPS display with multi-point capacitive touch input and computer hardware for interface rendering. The module contains a preinstalled operating system and web engine software, allowing applications to be developed with HTML, CSS, and JavaScript. JavaScript APIs are provided for easy integration of the module with other system components.

## Applications

- Building automation, HVAC, security, conference room control
- Vending and payment machines
- Training equipment
- Kitchen appliances
- Industrial automation

## SPECIFICATION

### Screen

<b>Size</b>	<b>7.02 inch</b>
<b>Resolution</b>	<b>1200 × 1920</b>
<b>Touch input</b>	<b>5 point, capacitive</b>
<b>Brightness</b>	<b>200 cd/m<sup>2</sup> (typ)</b>
<b>Contrast ratio</b>	<b>1200</b>
<b>Surface</b>	<b>hardened glass</b>

### Computer hardware

<b>SoC</b>	<b>Broadcom BCM2837B0 Cortex-A53 64-bit SoC (1.2GHz)</b>
<b>GPU</b>	<b>VideoCore IV @ 400 MHz</b>
<b>RAM</b>	<b>1Gb LPDDR2</b>
<b>eMMC Flash</b>	<b>8Gb</b>
<b>Multimedia</b>	<b>H.264, MPEG-4 decode (1080p30); H.264 encode (1080p30); OpenGL ES 1.1, 2.0 graphics</b>
<b>Other</b>	<b>Real Time Clock with CR2032 battery backup Watchdog timer</b>

## Interfaces

Raspberry Pi compatible 40-pin GPIO header

Speaker output: 1 channel, 3.2W into 4 Ohm at 5V

USB 2.0 host port

USB 2.0 device port for system recovery

## Power

<b>Connector</b>	<b>1.35 x 3.5 barrel jack</b>
<b>Voltage</b>	<b>5V +/- 5%</b>
<b>Current</b>	<b>3A max</b>

## Environment

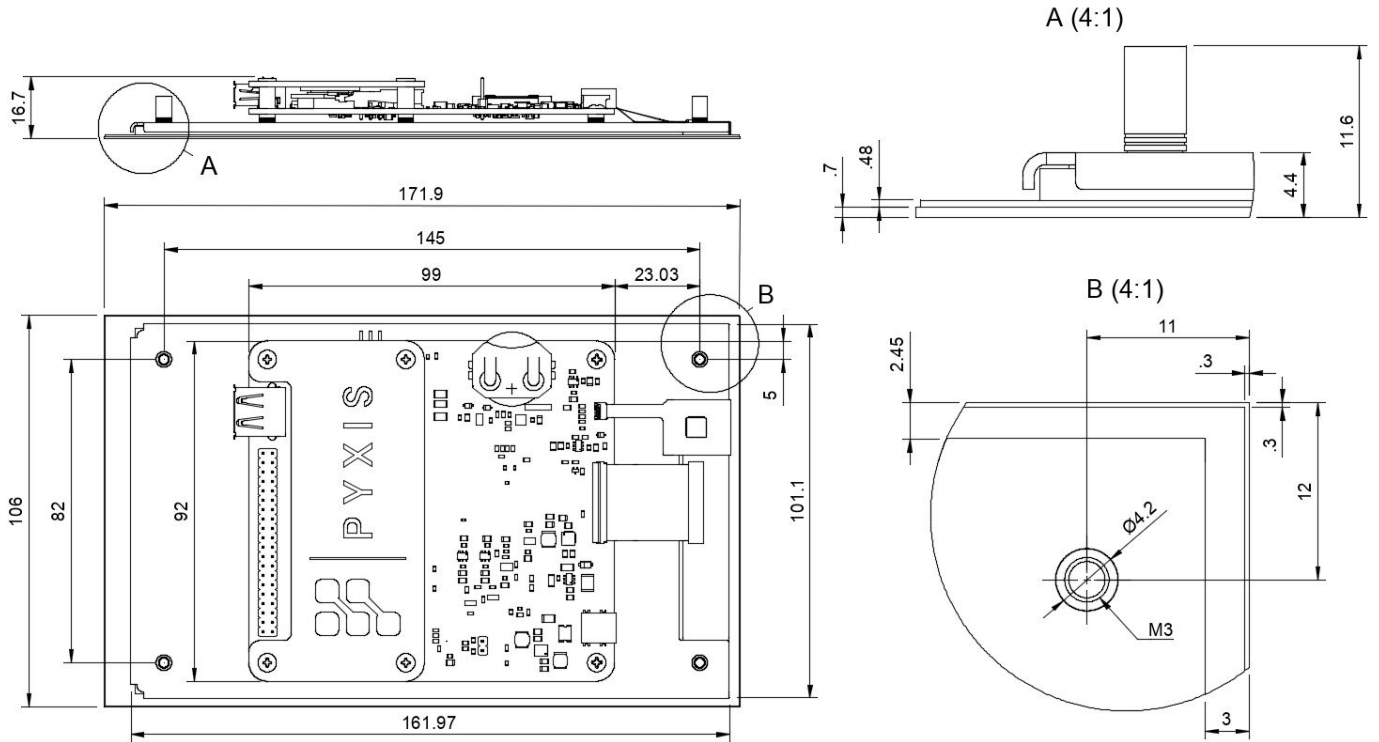
<b>Operating temperature</b>	<b>-10..60 °C</b>
<b>Storage temperature</b>	<b>-30..70 °C</b>

## Physical dimensions

Open frame design (module only, no enclosure)

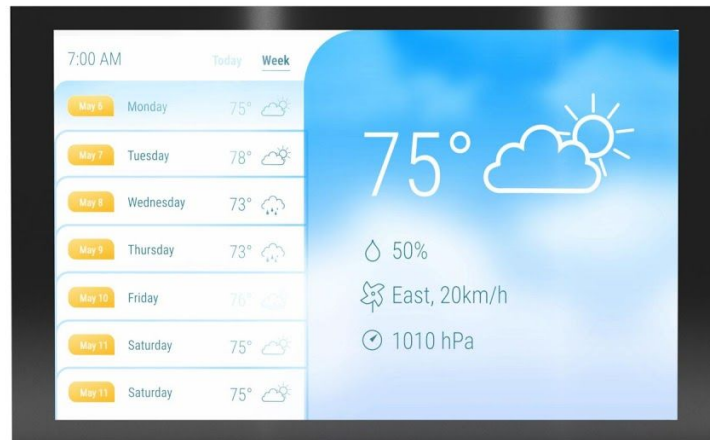
<b>H x W x D</b>	<b>173.18 x 106.00 x 16.8 mm</b>
<b>Mounting</b>	<b>4 x M3 threaded standoffs</b>

# MECHANICAL DRAWINGS

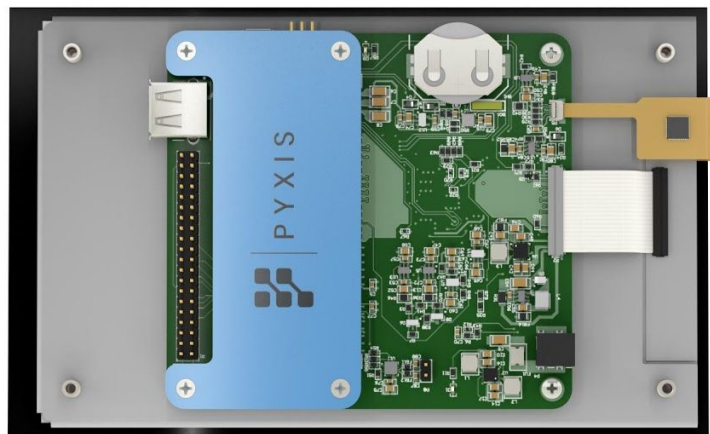


## RENDERINGS

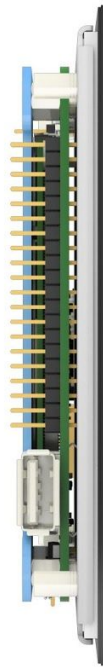
### Front



### Back



## Side





## NOTICE

Renetec, Inc. reserves the right to make changes to this document and the related product without notice.

Renetec, Inc. does not assume any liability arising out of the use of this document or the product described herein.