

Flat suction cup (round)

PFYN 80 NBR-55 G1/4-IG

Part no...:10.01.01.00093

<https://www.schmalz.com/10.01.01.00093>

Home > Vacuum Technology for Automation > Vacuum Components > Vacuum Suction Cups > Flat Suction Cups (Round) > Flat Suction Cups PFYN > PFYN 80 NBR-55 G1/4-IG

Flat suction cup (round) for smooth or slightly rough surfaces



Size: 80

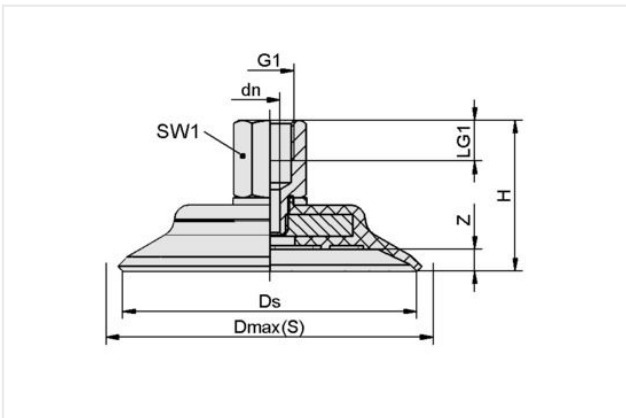
Suction cup material: Nitrile rubber NBR

Material hardness [Shore A]: 55 Shore A

Nipple material: Aluminum

Vacuum connection: G1/4"-F

Design Data



Attribute	Value
dn	5.50 mm
Dmax(S)	86 mm
Ds	80 mm
G1	G1/4"-F
H	41.50 mm
LG1	11 mm
SW1	17 mm
Z (Stroke)	6 mm

Note: Acceptable dimensional tolerances for elastomer parts concerning to DIN ISO 3302-1 M3

Technical Data

Attribute	Value
Suction force (-600mbar)	260 N
Volume	25 cm ³
Curve radius (min) (convex)	150 mm
Hose diameter (empf.) d	6 mm
Size	80
Suction cup material	Nitrile rubber NBR
Material hardness [Shore A]	55 Shore A

Contact Schmalz

Schmalz Inc. | 5850 Oak Forest Drive, Raleigh, NC 27616, United States | +1 (919) 713-0880 | schmalz.us@schmalz.com

Flat suction cup (round)

PFYN 80 NBR-55 G1/4-IG

Part no...:10.01.01.00093

<https://www.schmalz.com/10.01.01.00093>

Weight	65.20 g
Product family	PFYN

Note: Suction force: The specified suction forces are theoretical values at a vacuum of -0.6 bar and with a dry, smooth and flat workpiece surface - they do not include a safety factor
Hose diameter: The recommended hose diameter refers to a hose length of approx. 2 m

Accessories



SU 80

Part no...:10.01.01.12839

Size: 80
Clamping range: 80.0 ... 100.0 mm
Temperature resistance: 80 °C

Spare parts



SA-NIP N009 G1/4-IG

Part no...:10.01.01.10096

Thread G1: G1/4"-F
Length L1: 33 mm
Material: Aluminum

Flat suction cup (round)

PFYN 80 NBR-55 G1/4-IG

Part no...:10.01.01.00093

<https://www.schmalz.com/10.01.01.00093>



PFG 80 NBR-55 N009 M10x1.25-IG

Part no...:10.01.01.00019

Size: 80

Suction cup material: Nitrile rubber NBR

Material hardness [Shore A]: 55 Shore A