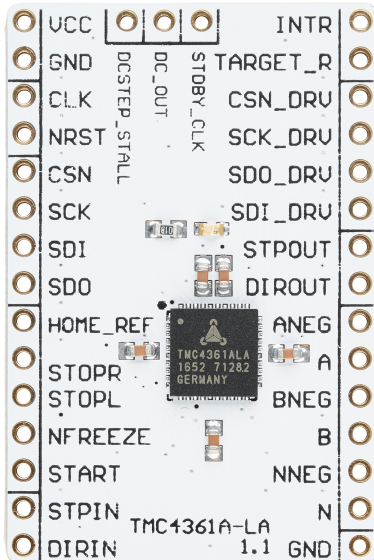


TMC4361A-LA BOB Description

Document Revision V1.00 • 2017-Oct-19

Module Top View



Features and additional Resources

- TMC4361A-LA stepper motor servo controller with S-shaped ramps
- Supply voltage 3.3V or 5V
- Configuration and control via SPI and Step/Direction
- SPI or Step and Direction output
- Reference switch and synchronization signal inputs
- Encoder interface for closed loop control
- Board width 1.0", board height 1.5"
- 2x15 pin 0.1" header rows for pins/connectors
- Link to [additional information and IC Datasheet](#)
- Link to [Evaluation Kit](#)

Pin List

Left	Signal	Right	Signal
1	VCC	16	INTR
2	GND	17	TARGET_R
3	CLK	18	CSN_DRV
4	NRST	19	SCK_DRV
5	CSN	20	SDO_DRV
6	SCK	21	SDI_DRV
7	SDI	22	STPOUT
8	SDO	23	DIROUT
9	HOME_REF	24	ANEG
10	STOPR	25	A
11	STOPL	26	BNEG
12	NFREEZE	27	B
13	START	28	NNEG
14	STPIN	29	N
15	DIRIN	30	GND

Bill of Materials

Pcs.	MPN	Value	Footprint	Description
5	MC0603B104K160CT	100nF/16V/10%	0603	Cap, Multicomp
1	LTST-C191TBKT-5A	20mA,2.8V,465nm	0603	LED, Lite-On
1	TMC4361A-LA	TMC4361A-LA	QFN40,6x6,0.5	Controller, TRINAMIC
1	MC0063W060311K	1k	0603	Res, Multicomp



BOB Schematics

