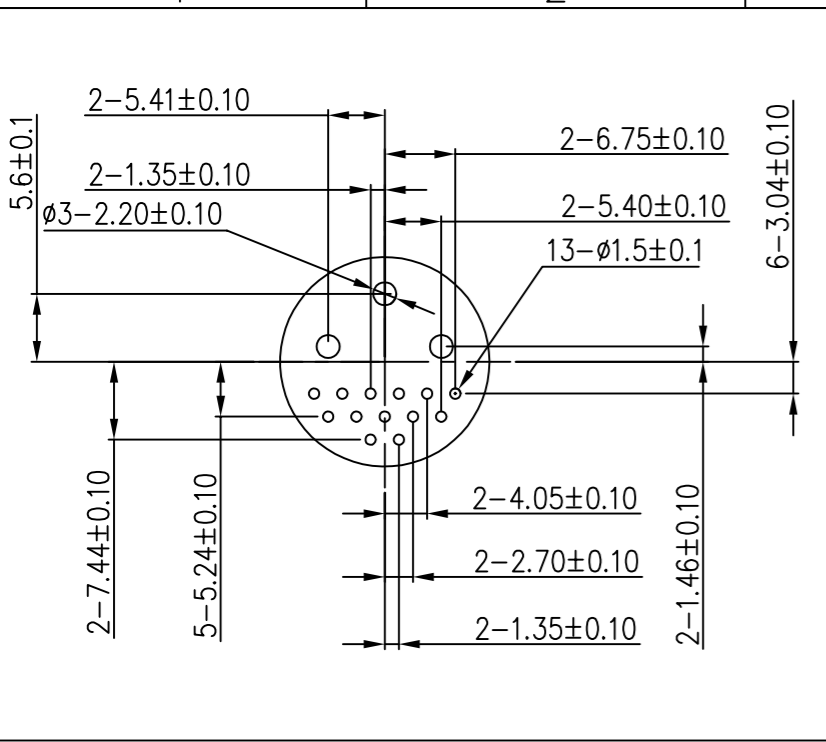
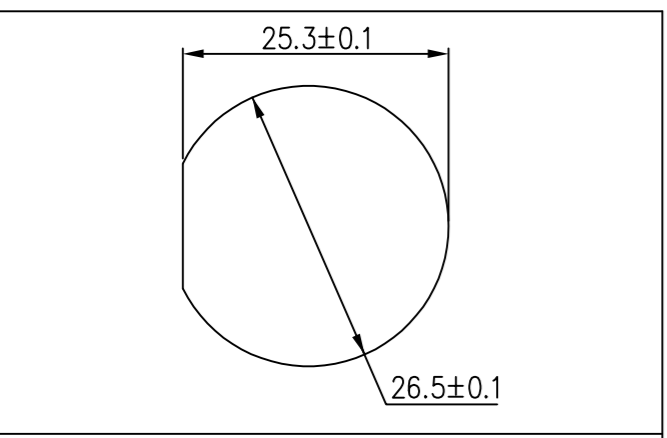


THIS INFORMATION IS CONFIDENTIAL AND IS DISCLOSED TO YOU ON CONDITION THAT NO FURTHER DISCLOSURE IS MADE BY YOU TO OTHER THAN CHOGORI PERSONNEL WITHOUT AUTHORIZATION FROM CHOGORI CORP.

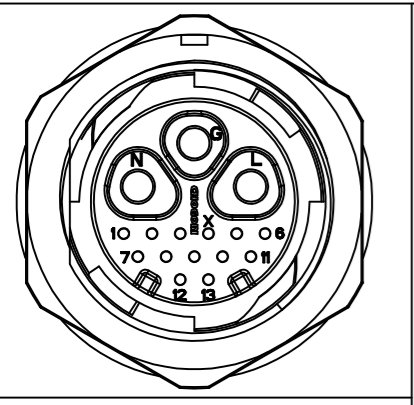
REV.	ECN NO.	DESCRIPTION	SIGN	DATE
C1	N/A	INITIAL DRAWING	Victory	2022/03/22



PCB Layout



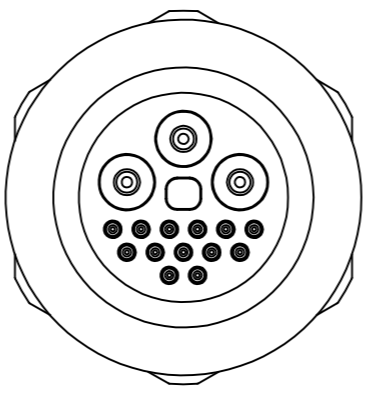
Recommended Panel Cut-Out



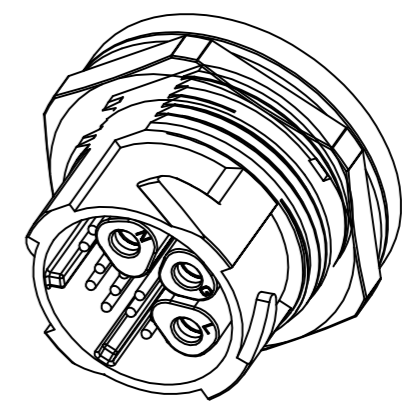
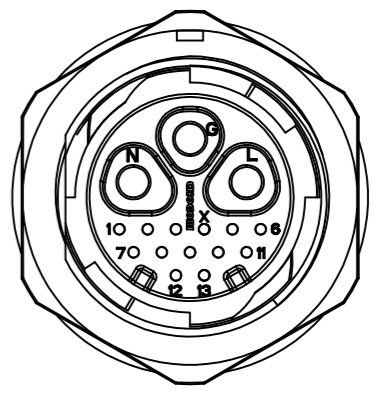
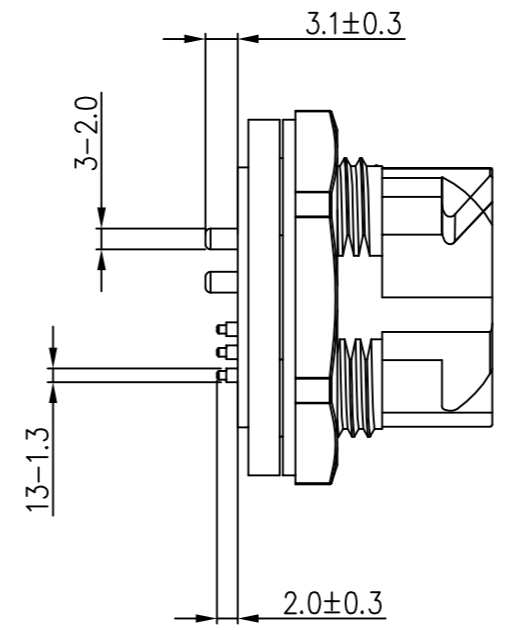
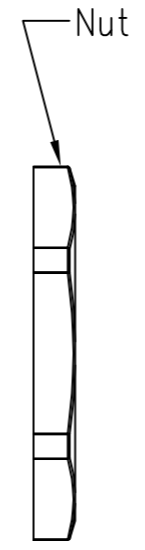
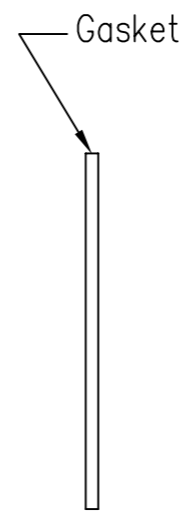
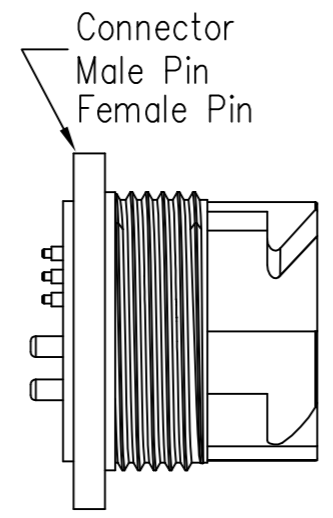
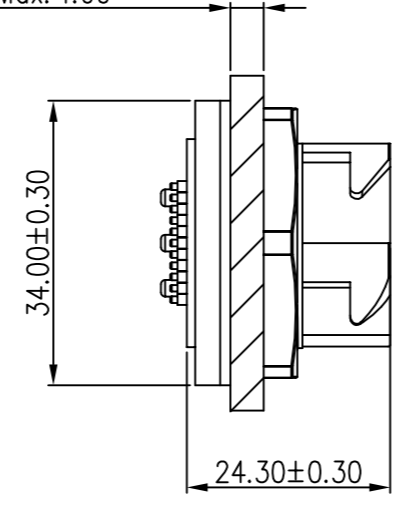
Pin Assignments Front View

UNIT: mm	
TOLERANCE	
.X	±0.25
.XX	±0.15
.XXX	±0.05
ANGLES	±1°

DESCRIPTION: Large Series 3+13 Pin Push Lock Front Mount With Male Pin(4 Key)		
SCALE. 1:1	SHEET. 2 OF 3	
REV. C1	SIZE: A4	ASME Y14.5-2009



Panel T Max: 4.00



- Specification:
- 1.Operation Temperature: -40°C~105°C.
 - 2.Insulation Resistance: 100MΩ at DC 500V.
 - 3.Contact Resistance: <10mΩ.
 - 4.Withstand Voltage: 1200V AC
 - 5.Operating Current: 20+5A
 - 6.Operating Voltage: AC 60V
 - 7.Waterproof Rate: IP67 (Mated)
 - 8.Housing: Nylon, Black
 - 9.Male Pin: Copper Alloy, Silver Plated
 - 10.Female Pin: Copper Alloy, Silver Plated
 - 11.Gasket: Silicon Gray
 - 12.Panel Nut: Nylon,Black
 - 13.RoHS Compliant.

CHOGORI

PART NO. 24313635-01-501	DRAWN Victory	DATE 2022/03/22
MATERIAL	CHECKED Ivan	DATE 2022/03/22
MOLD NO.	APPROVED Panson	DATE 2022/03/22