

High Frequency Ceramic Solutions

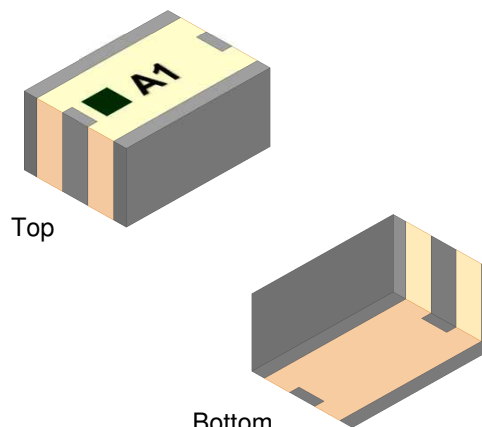
6.6GHz Extended WiFi Band Pass Filter, 4.5x3.2x2.2mm

P/N 6613BP44A1025

Detail Specification: 1/25/2022

Page 1 of 4

General Specifications	
Part Number	6613BP44A1025
Frequency Range (MHz)	6100 - 7125
Insertion loss (dB)	2.8 max.
Ripple (dB)	2.2 max.
Return Loss (dB)	9.5 min.
Attenuation (dB)	35 min. @ 30 - 1700 MHz 35 min. @ 1980 - 2370 MHz 35 min. @ 2400 - 2500 MHz 33 min. @ 3960 - 4740 MHz 35 min. @ 4740 - 5150 MHz 50 min. @ 5170 - 5815 MHz 45 min. @ 5815 - 5825 MHz 30 min. @ 5825 - 5850 MHz 15 min. @ 5900 - 5925 MHz 3 min. @ 7925 - 8250 MHz 6 min. @ 8250 - 9440 MHz 30 min. @ 11890 - 14210 MHz 10 min. @ 17385 - 21315 MHz



Power Capacity (W)	3 max. (CW)
Operating Temperature	-40 to +85°C
Reel Quantity (pcs./reel)	1,000
Recommended Storage Conditions and Period for unused Product on T&R	+5 to +35°C Humidity 45 - 75% RH 18 months max.

You can download measured s-parameters of this component at: <https://www.johansontechnology.com/band-pass-filters>

Part Number Explanation				
P/N Suffix	Packaging Style	Bulk (loose pcs.)	Suffix = S	E.g. 6613BP44A1025S
		T & R	Suffix = E	E.g. 6613BP44A1025E
	Evaluation Board	50Ω SMA	Suffix = EB1SMA	E.g. 6613BP44A1025-EB1SMA

Mechanical Dimensions		
L	0.177 ± 0.008	4.50 ± 0.20
W	0.126 ± 0.008	3.20 ± 0.20
T	0.087 max.	2.20 max.
a	0.016 ± 0.008	0.40 ± 0.20
b	0.031 ± 0.008	0.80 ± 0.20
c	0.012 ± 0.006	0.30 ± 0.15

Note: Special Marking added on component
 P/N. 5500BP44A0700 - "A0"
 P/N. 6613BP44A1025 - "A1"
 to distinguish the devices from each other when both are placed on the same board.

Terminal Configuration	
No.	Function
1	GND
2	INPUT / OUTPUT
3	GND
4	INPUT / OUTPUT

Johanson Technology, Inc. reserves the right to make design changes without notice.

All sales are subject to Johanson Technology, Inc. terms and conditions.



Ver. 1.1

<https://www.johansontechnology.com>

4001 Calle Tecate • Camarillo, CA 93012, USA • TEL +1.805.389.1166

2022 Johanson Technology, Inc. All Rights Reserved

High Frequency Ceramic Solutions

6.6GHz Extended WiFi Band Pass Filter, 4.5x3.2x2.2mm

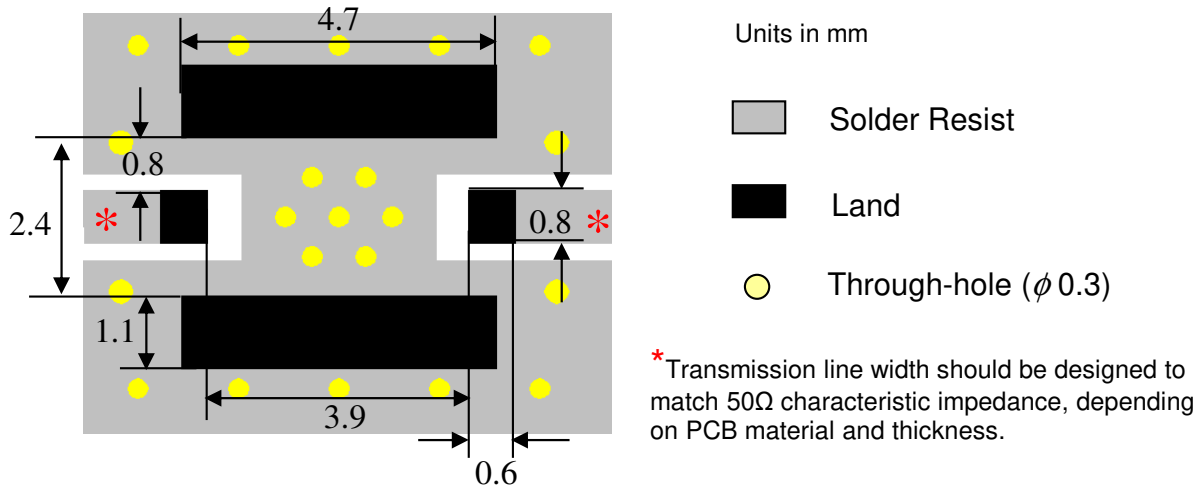
P/N 6613BP44A1025

Detail Specification: 1/25/2022

Page 2 of 4

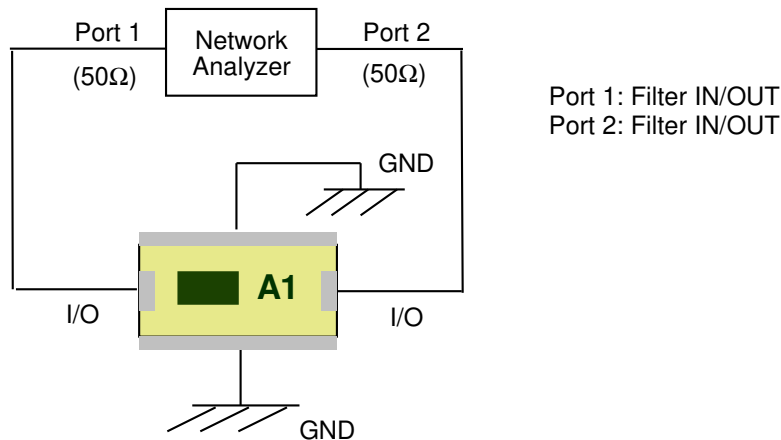
Mounting Considerations

Mount these devices with green mark facing up.



Would you like the layout? Send us a message at: <https://www.johansontechnology.com/ask-a-question>

Measuring Diagram



Johanson Technology, Inc. reserves the right to make design changes without notice.

All sales are subject to Johanson Technology, Inc. terms and conditions.



Ver. 1.1

<https://www.johansontechnology.com>

4001 Calle Tecate • Camarillo, CA 93012, USA • TEL +1.805.389.1166

2022 Johanson Technology, Inc. All Rights Reserved

High Frequency Ceramic Solutions

6.6GHz Extended WiFi Band Pass Filter, 4.5x3.2x2.2mm

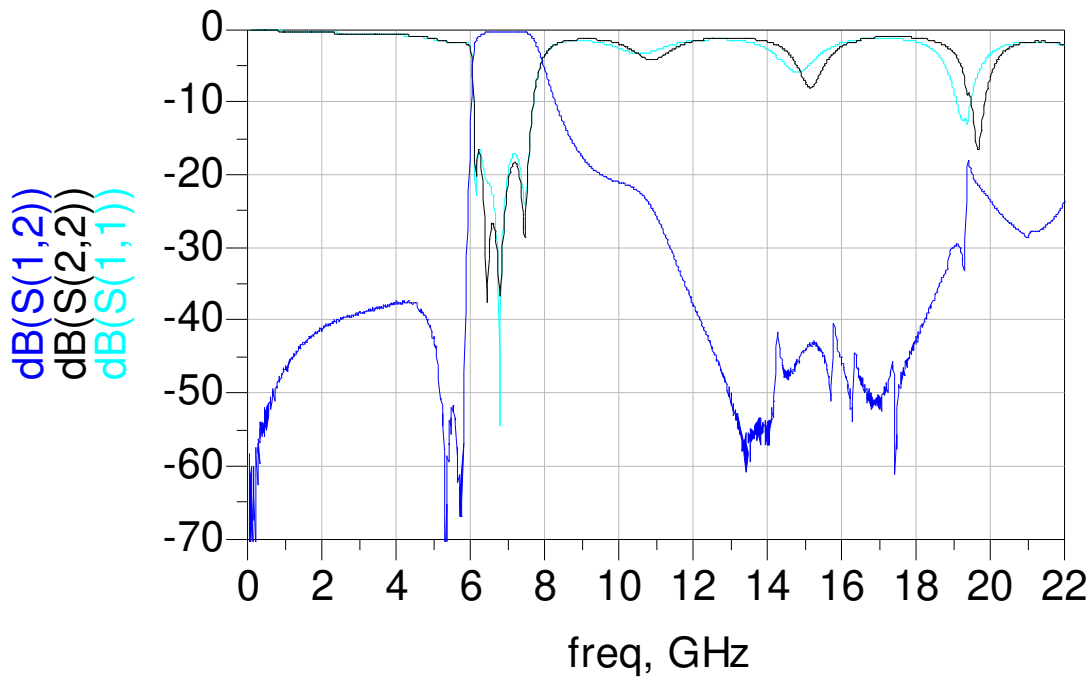
P/N 6613BP44A1025

Detail Specification: 1/25/2022

Page 3 of 4

Typical Electrical Characteristics (T=25°C)

Insertion Loss & Return loss



Do you need the S-parameter file of the above? Send us a message at:
<https://www.johansontechnology.com/ask-a-question>

Johanson Technology, Inc. reserves the right to make design changes without notice.

All sales are subject to Johanson Technology, Inc. terms and conditions.



Ver. 1.1

<https://www.johansontechnology.com>

4001 Calle Tecate • Camarillo, CA 93012, USA • TEL +1.805.389.1166

2022 Johanson Technology, Inc. All Rights Reserved

High Frequency Ceramic Solutions

6.6GHz Extended WiFi Band Pass Filter, 4.5x3.2x2.2mm

P/N 6613BP44A1025

Detail Specification: 1/25/2022

Page 4 of 4

Application Notes, Layout Files, and more

<https://www.johansontechnology.com/band-pass-filters>

Packaging information

<https://www.johansontechnology.com/tape-reel-packaging>

Soldering Information

<https://www.johansontechnology.com/ipcsoldering-profile>

MSL Info

<https://www.johansontechnology.com/msl-rating>

Recommended Storage Condition and Max Shelf Life

<https://www.johansontechnology.com/recommended-storage-conditions>

RoHS Compliance

<https://www.johansontechnology.com/rohs-compliance>

Antenna layout and tuning techniques

<https://www.johansontechnology.com/tuning>

Antenna layout review, tuning, and characterization services

<https://www.johansontechnology.com/ipc-antenna-services>

Johanson Technology, Inc. reserves the right to make design changes without notice.

All sales are subject to Johanson Technology, Inc. terms and conditions.



Ver. 1.1

<https://www.johansontechnology.com>

4001 Calle Tecate • Camarillo, CA 93012, USA • TEL +1.805.389.1166

2022 Johanson Technology, Inc. All Rights Reserved