



PFM-PP-Q-001

Magnet Float

RoHS

REACH

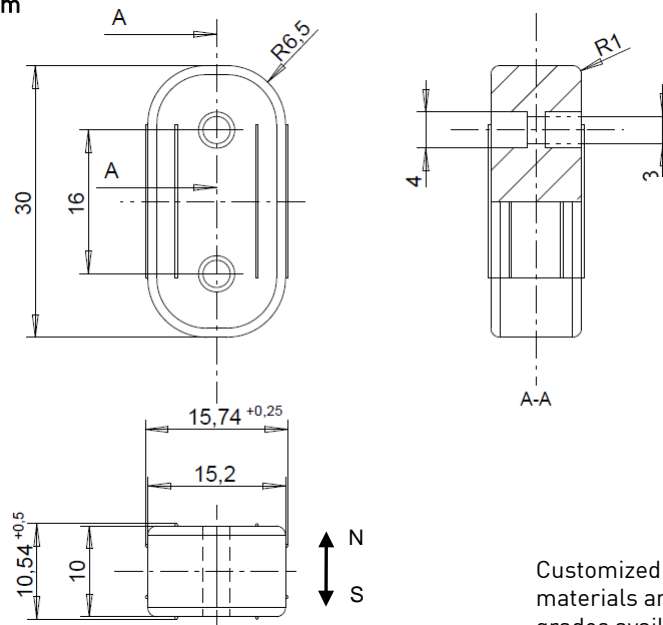
Data

Float housing	PP Foam (for use in water and diluted acids)
Magnet	NdFeB, N35
Magnetical Orientation	axially

Remanence Br	mT	1185
Coercivity HcB	kA/m	828
Coercivity HcJ	kA/m	955
Energy Product (BH) max.	kJ/m ³	275
Magnetic Moment M	x10 ⁻⁵ Vs cm	1.6
Operating Temperature max.	°C	80

Nominal values unless otherwise specified.

Dimensions in mm



Customized types, other magnet materials and high temperature grades available

Mechanical Characteristics

@ 25°C

Density of float typ. *	g/cm ³	0.88
Weight per piece	g	3.5

* In delivery condition