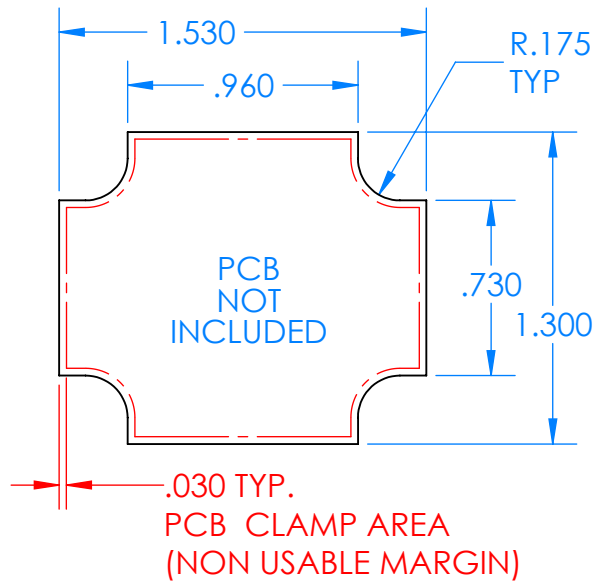
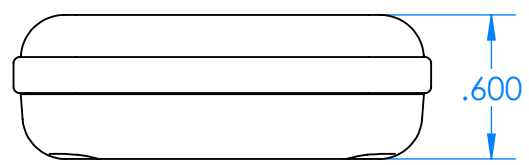
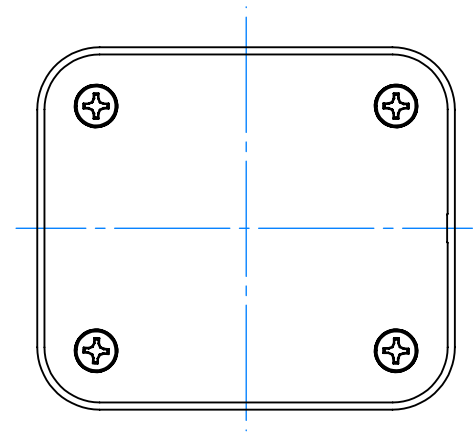
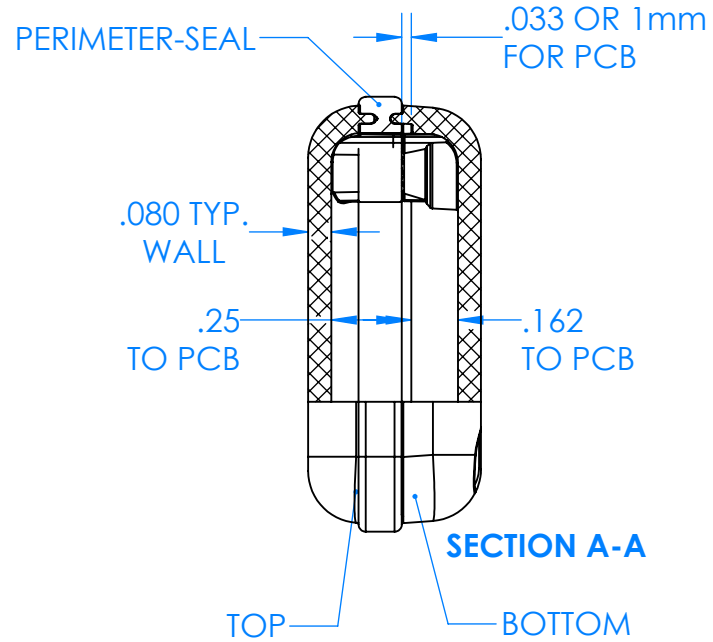
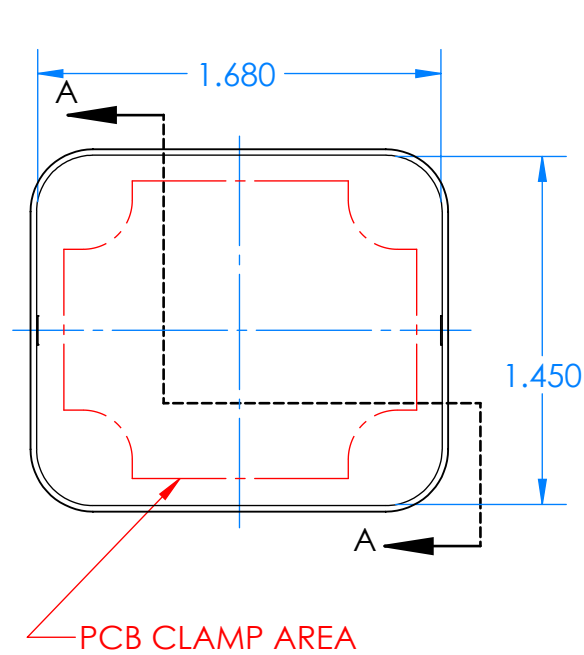


# SERPAC CX23A-YY-A-ZZ

Electronic Enclosures



**Enclosure color (YY)**  
 Top-Bottom combinations available  
 BK=black  
 CL=clear  
 TRGY=translucent gray  
 TRRD=translucent red

**Seal color (ZZ)**  
 BK=black  
 BL=blue  
 GM=gunmetal  
 NG=neon green  
 NO=neon orange  
 OR=orange  
 YL=yellow  
 WH=white

| PN       | Description                                     |
|----------|---|
| 5510A.YY | (1) BW 2A Top,YY                                |
| 5513A.YY | (1) BW 2B Bottom,YY                             |
| 5521A.ZZ | (1) CX2 Perimeter Seal, ZZ                      |
| 6002     | (4) #2 X 3/8" PH HD screw<br>TORQUE 35-60 in-oz |

Watertight enclosure meets or exceeds:  
 IP67  
 NEMA 4X, 12, 13