

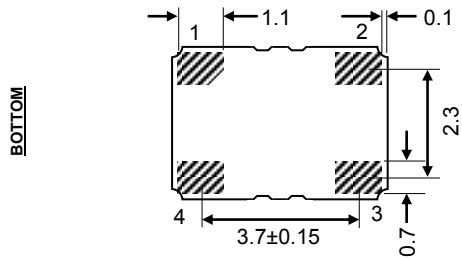
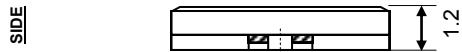
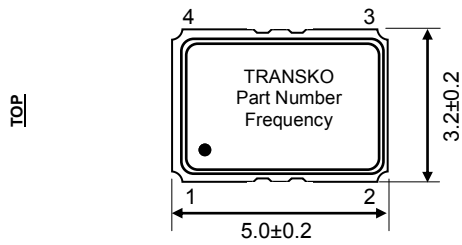
TCXO/VCTCXO ULTRA MINIATURE SMD (5.0 x 3.2 x 1.2mm)
FEATURES:

- HIGH STABILITY UP TO $\pm 0.1\text{ppm}$
- LOW PHASE NOISE
- USED FOR **FEMTOCELL** APPLICATION


■ SPECIFICATION

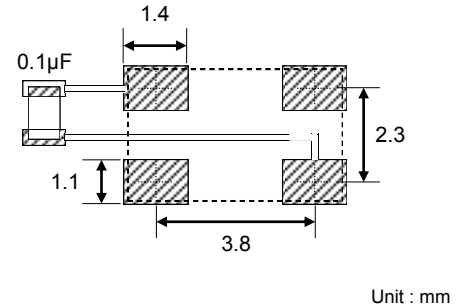
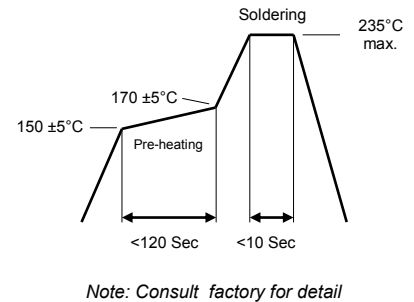
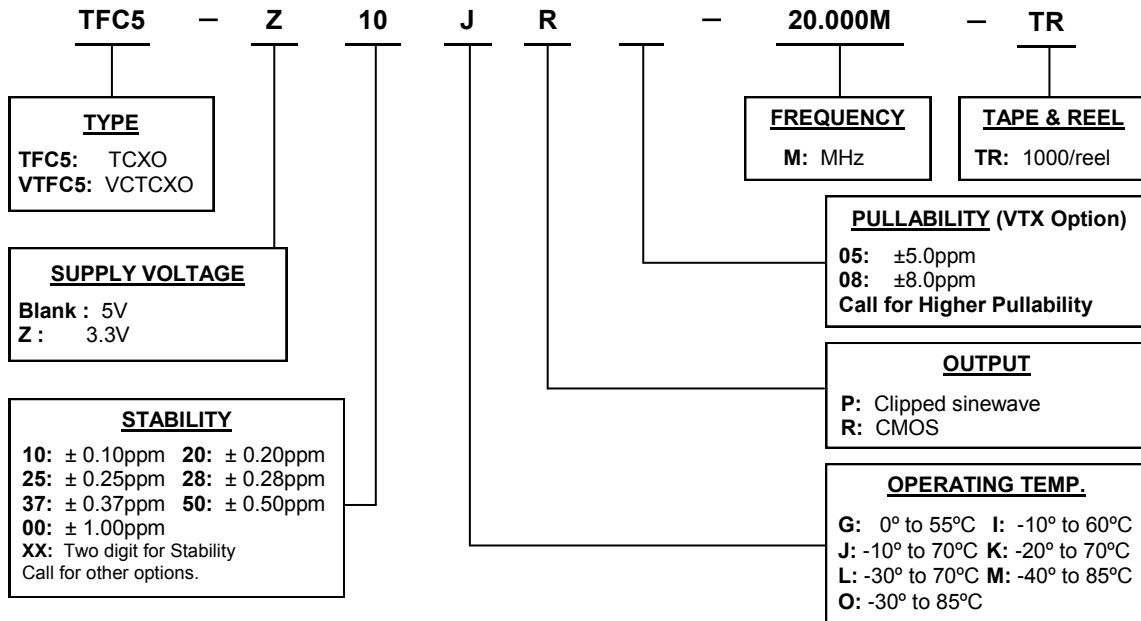
PARAMETER		MIN.	TYP.	MAX.	UNIT	NOTE	
FREQUENCY RANGE	3.3V	10		40	MHz	CMOS & CSW	
	5.0V	10		26	MHz	CSW only	
STANDARD FREQUENCIES		13M, 14.4M, 16.368M, 16.369M, 16.8M, 19.2M, 19.68M, 20M, 24.5535M, 26M					
FREQUENCY TOLERANCE				± 2.0	ppm		
FREQUENCY STABILITY	vs. TEMPERATURE RANGE		± 0.1	± 1.0	ppm	See P/N guide for other options	
	vs. LOAD $\pm 10\%$			± 0.2	ppm		
	vs. SUPPLY VOLTAGE $\pm 5\%$	CMOS		± 0.4	ppm		
		CSW		± 0.2	ppm		
vs. AGING				± 1.0	ppm/year		
OPERATING TEMPERATURE RANGE		-40		+85	$^{\circ}\text{C}$	See P/N guide for other options	
STORAGE TEMPERATURE RANGE		-55		-125	$^{\circ}\text{C}$		
SUPPLY VOLTAGE $\pm 5\%$		3.3		5.0	V		
SUPPLY CURRENT	CMOS	1MHz $\leq f \leq$ 40MHz		6.0	mA		
	CSW	1MHz $\leq f <$ 15MHz		1.5	mA		
		15MHz $\leq f <$ 26MHz		2.0	mA		
		26MHz $\leq f \leq$ 40MHz		2.5	mA		
OUTPUT	LOAD	CMOS		15pF			
		CSW		10k Ω //10pF			
	LEVEL	CMOS (V _{OH})		0.9 x V _{DD}		V	
		CMOS (V _{OL})			0.1 x V _{DD}	V	
		CSW		0.8		V _{P-P}	
	SYMMETRY (DUTY CYCLE)		45		55	%	For CMOS
	RISE AND FALL TIME (Tr/Tf)				10	nS	
	START-UP TIME				2.0	mS	
FREQUENCY DEVIATION		± 5.0			ppm	See P/N guide for other options	
CONTROL VOLTAGE		0.5		2.5	V		
V _c INPUT IMPEDANCE		100			k Ω		
PHASE NOISE	100Hz			-115	dBc/Hz	@ 13MHz	
	1kHz			-135	dBc/Hz		
	10kHz			-148	dBc/Hz		

Transko Electronics, Inc reserves the right to make changes to the product (s), service (s), and specification (s) described herein without notice. See "Terms of Sale" for details on our website.

■ PACKAGE DIMENSIONS


Unit : mm

Pad Connections	
1	NC or VC
2	GND
3	Output
4	V _{DD}

■ SOLDER PATTERN

■ REFLOW PROFILE

■ PART NUMBERING GUIDE


Transko Electronics, Inc reserves the right to make changes to the product (s), service (s), and specification (s) described herein without notice. See "Terms of Sale" for details on our website.