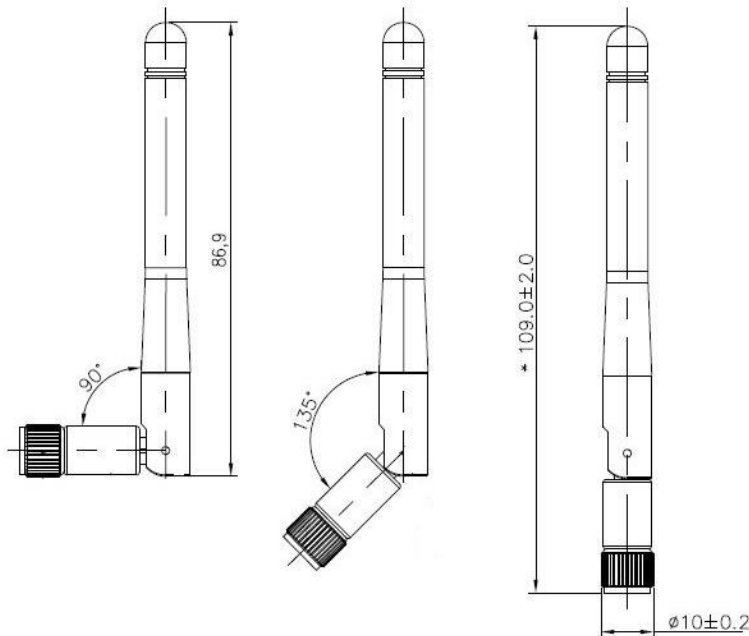


ELECTRICAL SPECIFICATION

PARAMETER	VALUE	UNIT
Frequency Range	868	MHz
Polarization	Linear	-
Radiation Pattern	Omni-Directional	-
Peak Gain	2 ~ 3	dBi
VSWR, max	2.0	-
Impedance	50	Ω
Connector	SMA Male	-
Material of Radiator	Cu	-
Operating Temperature Range	-40 ~ +75	$^{\circ}\text{C}$
Storage Temperature Range	-40 ~ +80	$^{\circ}\text{C}$
RoHS Compliant	YES	-

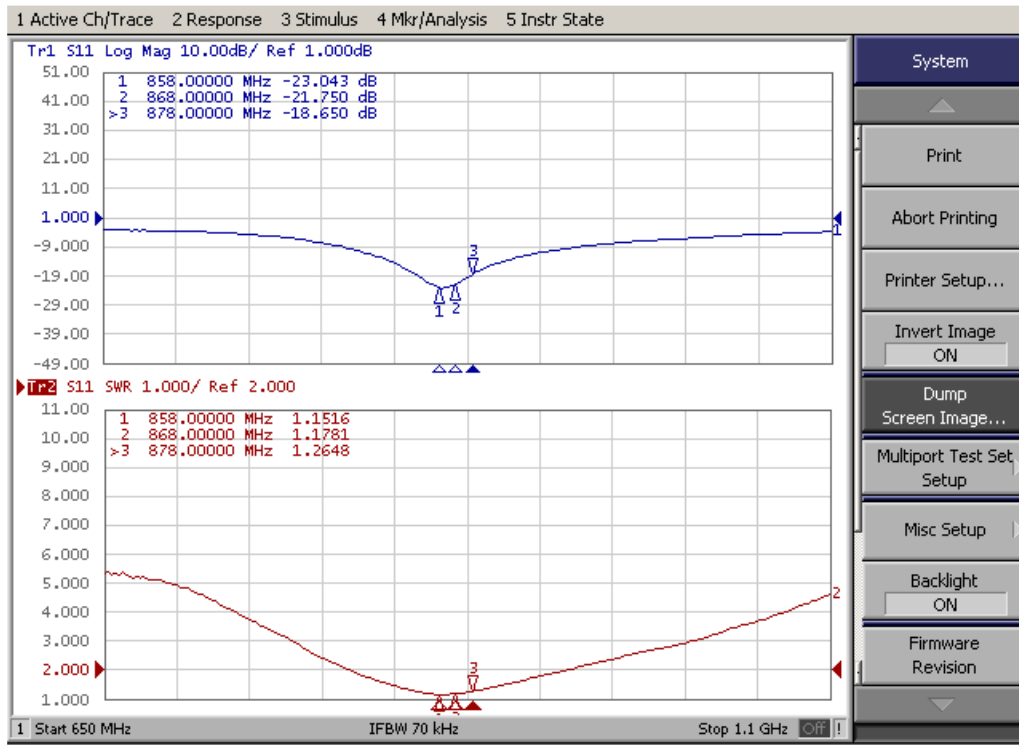


DIMENSIONS



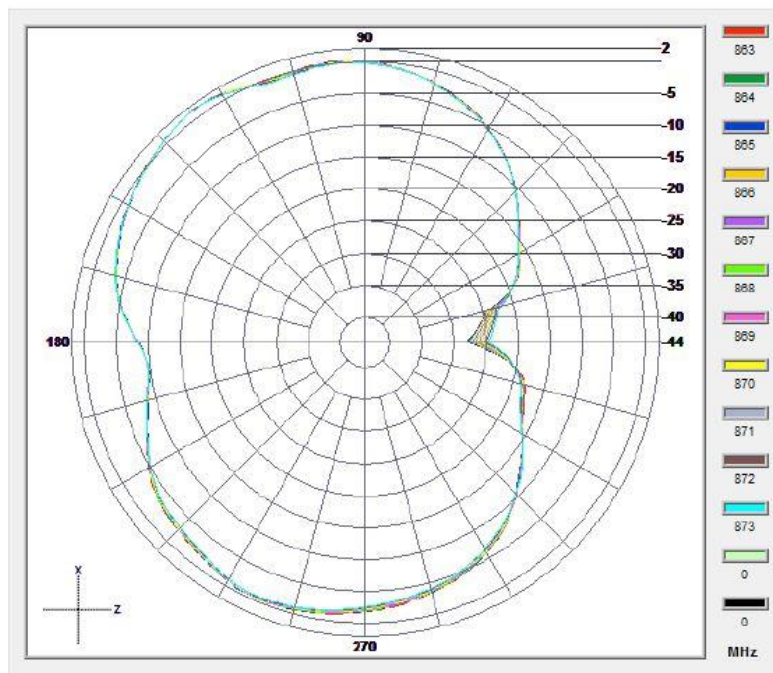
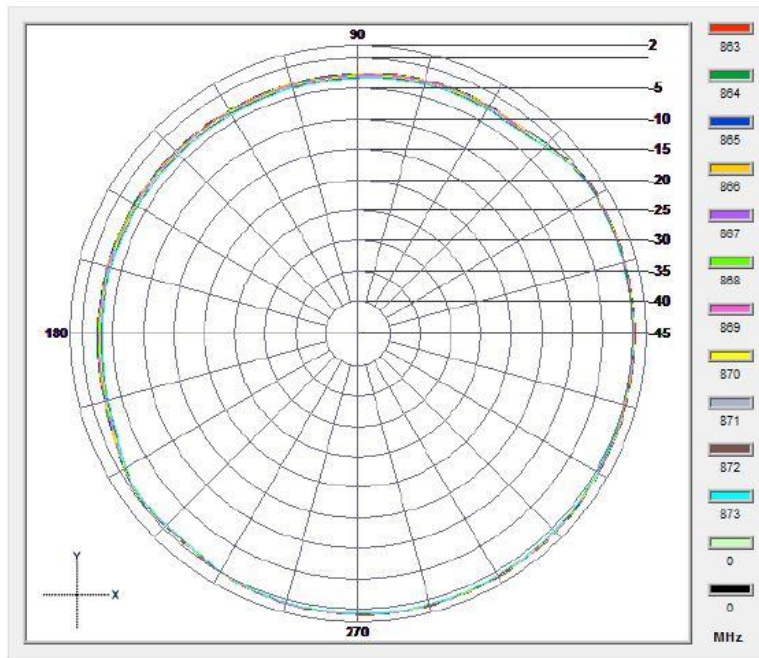
Unit: mm

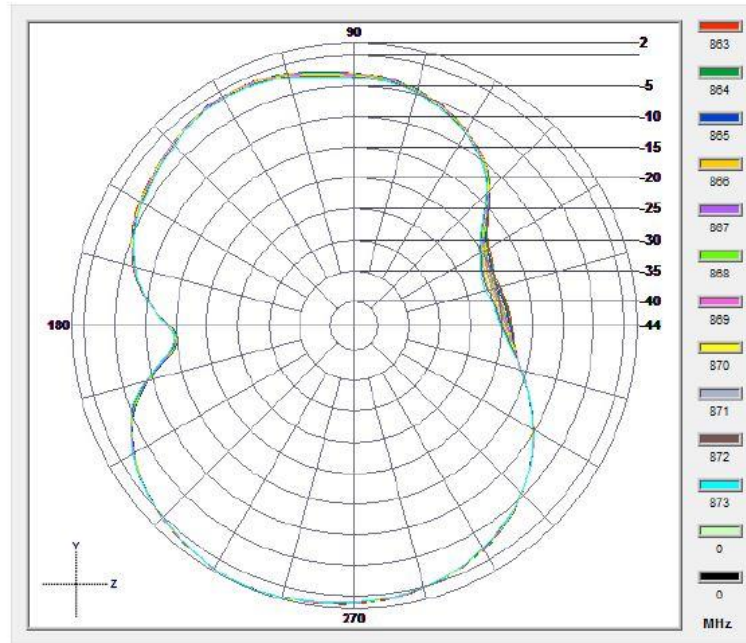
FREQUENCY CHARACTERISTICS



RADIATION PATTERN

Frequency	863	864	865	866	867	868	869	870	871	872	873
Peak Gain (dBi)	2.02	2.02	2.02	2.05	2.07	2.1	2.13	2.1	2.08	2.05	2.03
Efficiency (%)	63.77	63.33	62.96	62.89	62.82	62.76	62.69	61.91	61.14	60.38	59.64
Average Gain (dB)	-1.95	-1.98	-2.01	-2.01	-2.02	-2.02	-2.03	-2.08	-2.14	-2.19	-2.24





ENVIRONMENTAL

PARAMETER	VALUE
RoHS	Compliant
REACH SVHC	Compliant
HALOGEN-FREE	Compliant



APPROVAL

RALTRON	
DRAWN BY:	AR, July 18, 2022
APPROVED BY:	CP, July 18, 2022
REVISION:	A, Initial Release

Raltron Electronics / RAMI Technology USA, LLC, including its affiliates, employees, agents and other persons acting on its behalf (collectively Raltron/RAMI Tech), disclaim any and all liability for any errors or inaccuracies contained in this data sheet. While Raltron/RAMI Tech has made every reasonable effort ensure the accuracy of all product information, specifications and data contained herein, Raltron/RAMI Tech does not guarantee that the information is accurate, reliable or current. The product information is provided only for reference purposes only and is subject to change, correction or revision, at any time without notice. Raltron/RAMI Tech does not assume any liability arising out of an application or use of any product described herein and disclaims any warranties expressed or implied. The user of products in such applications shall assume all risks of such use and will agree to hold Raltron/RAMI Tech, harmless against all damages.

Copyright © 2016, Raltron Electronics / RAMI Technology USA, LLC. All rights reserved. No part of this document may be reproduced in any form without the prior written permission of Raltron Electronics / RAMI Technology USA, LLC.