



351

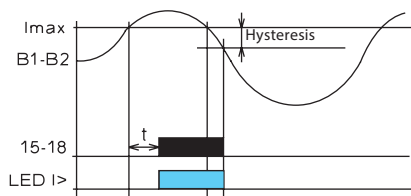
CURRENT
SENSOR

11/14/14

FEATURES

- Current sensor
- Universal input voltage: 24-240VAC and 24VDC
- **Choice of five AC current ranges:**
 - 351-1** – 0.1 to 1 Amp **351-2** – 0.2 to 2 Amps
 - 351-5** – 0.5 to 5 Amps **351-8** – 0.8 to 8 Amps
 - 351-16** – 1.6 to 16 Amps
- Overcurrent sensing with 5% hysteresis when returning from fault condition
- Adjustable time delay from 0.5 to 10 seconds eliminates nuisance tripping
- Relay output form: SPDT – 8 Amps
- Green LED indicates sensor is powered
- Red LED indicates fault condition
- Single-phase applications
- DIN rail mounting
- UL and CE approvals, RoHS compliant

MODE OF OPERATION



When the sensed current increases above set point, the time delay starts.

At the end of the delay the output is energized.

When the current falls below set point, a 5% hysteresis occurs before relay transfers to NO condition.

SPECIFICATIONS

- Input terminals** A1-A2
- Input voltage** 24-240VAC (AC 50/60Hz), 24VDC
- Input voltage tolerance** ... -15% to +10%
- Power consumption (max)** .. 1.5VA
- Current connection** between B2-B1
- Current ranges (AC)**
choose 1 of 5 351-1 0.1 to 1 Amp
351-2 0.2 to 2 Amps
351-5 0.5 to 5 Amps
351-8 0.8 to 8 Amps
351-16 1.6 to 16 Amps
- Permanent current (max)** .. 351-1 1 Amp
351-2 2 Amps
351-5 5 Amps
351-8 8 Amps
351-16 16 Amps
- Overload capacity (max)** .. 100A/1ms
- Current adjustment by** Potentiometer
- Time delay (adjustable)** ... 0.5 to 10 seconds
- Setting accuracy** 5%
- Repeatability** <1%
- Set point tolerance** 5%
- Hysteresis (fault to normal)** ... 5%
- Relay output form** SPDT
- Rated current** 8 Amps
- Switching capacity** 2500 VA/ AC, 240 W/ DC
- Output indicator** Red LED
- Operating temperature** ... -20°C to +55°C
- Storage temperature** -30°C to +70°C
- Dielectric strength** 4 kV
- Operating position** any
- Mounting** DIN rail EN 60715
- Protection degree** IP 40 from front panel
- Wire size (max)** 10AWG
- Standards** EN 60255-6, EN 61010-1, UL, CE, RoHS

FEATURES

Input terminals

Current sensing terminals (AC only)

Output indicator

Current setting in %

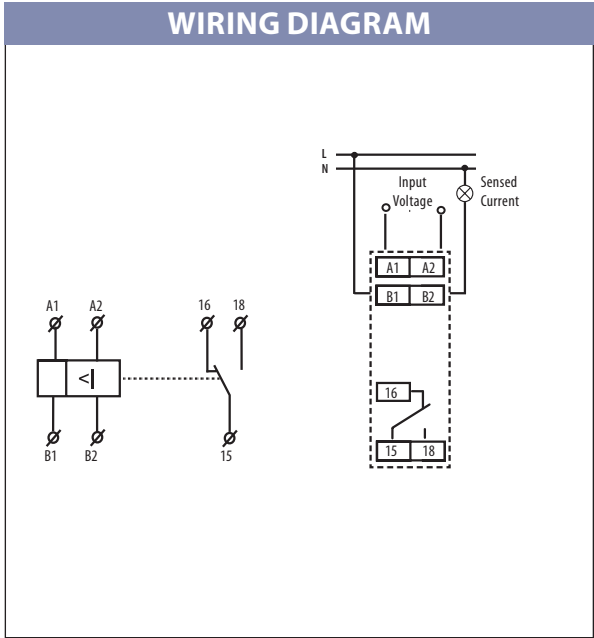
Time delay

Output terminals

Current setting as % of range
Overcurrent is indicated by relay transfer and red LED.

Time delay setting
0.5 to 10 seconds

WIRING DIAGRAM



11/14/14