

**NEWNEX PROPRIETARY**

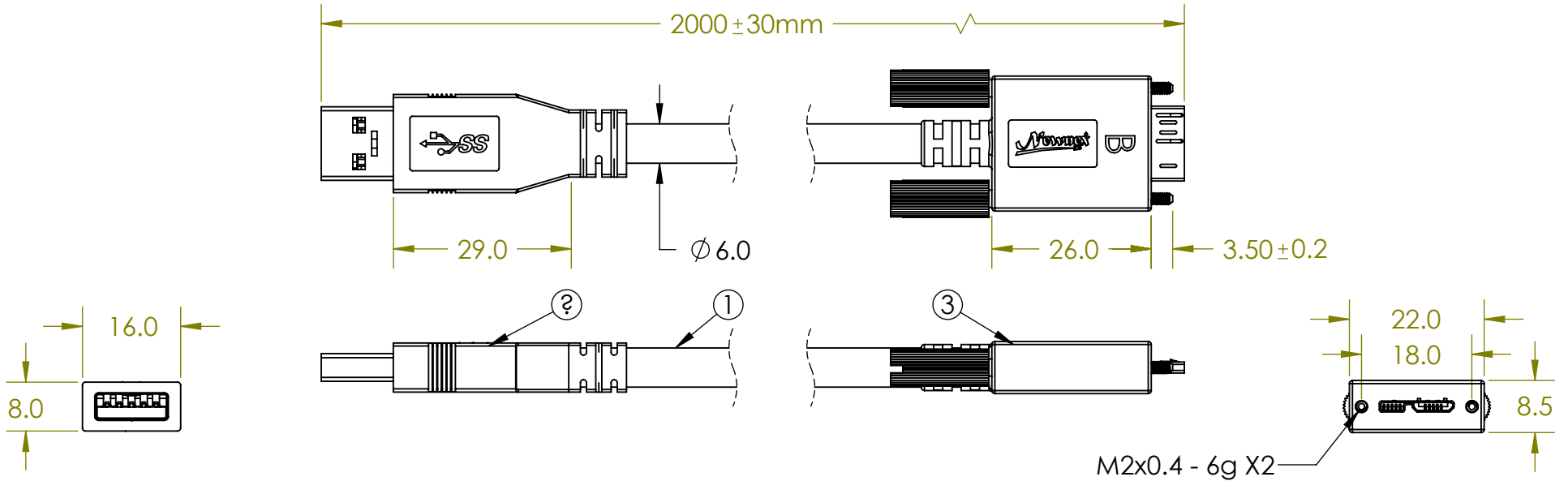
THIS DOCUMENT AND THE DATA DISCLOSED HEREIN OR WITHIN IS NOT TO BE REPRODUCED, USED, OR DISCLOSED IN WHOLE OR PART TO ANYONE WITHOUT THE WRITTEN PERMISSION OF NEWNEX

**COMPANY NAME**

**CUSTOMER SIGNATURE**

**DATE**

**COMMENTS:**



| WIRING STRUCTURE        |             |             |                          |                      |             |
|-------------------------|-------------|-------------|--------------------------|----------------------|-------------|
| USB 3.0 Standard-A Plug |             | Wire        |                          | USB 3.0 Micro-B Plug |             |
| Pin Number              | Signal Name | Wire Number | Signal Name              | Pin Number           | Signal Name |
| 1                       | VBUS        | 1           | PWR                      | 1                    | VBUS        |
| 2                       | D-          | 2           | UTP_D-                   | 2                    | D-          |
| 3                       | D+          | 3           | UTP_D+                   | 3                    | D+          |
| 4                       | GND         | 4           | GND_PWRrt                | 5                    | GND         |
| 5                       | StdA_SSRX-  | 5           | SDP1-                    | 6                    | MicB_SSTX-  |
| 6                       | StdA_SSRX+  | 6           | SDP1+                    | 7                    | MicB_SSTX+  |
| 7                       | GND_DRAIN   | 7 and 10    | SDP1_Drain<br>SDP2_Drain | 8                    | GND_DRAIN   |
| 8                       | StdA_SSTX-  | 8           | SDP2-                    | 9                    | MicB_SSRX-  |
| 9                       | StdA_SSTX+  | 9           | SDP2+                    | 10                   | MicB_SSRX+  |
|                         |             |             |                          | 4                    | ID          |
| Shell                   | Shield      | Braid       | Shield                   | Shell                | Shield      |

**Notes:**

1. Cable: USB 3.0, Black PVC Jacket.
2. Connector: USB 3.0 A Male.
3. Connector: USB 3.0 Micro B Male Locking.
4. Packaging: 1 Piece + PE bag.

Newnex Technology Corp.

|  |   |
|--|---|
| UNLESS OTHERWISE SPECIFIED DIMENSIONS ARE IN MILLIMETERS TOLERANCES ARE: | PROJ:  TITLE: USB 3.0 A Male to Micro B Male with Locking, 2m, Black. |
| FRACTIONS: X 0.5 ANGLES: ± 0.5°  | SCALE: 1:1 REV: B   |
| DATE: 6/21/2016  | DRAWN BY: ZL APPROVED BY: FX  |
| PART NUMBER: US2-AMCBI1-2M   | CHECKED BY: SHEET 1 OF 1  |
| REVISION COMMENTS: Drawing generated                                     |   |