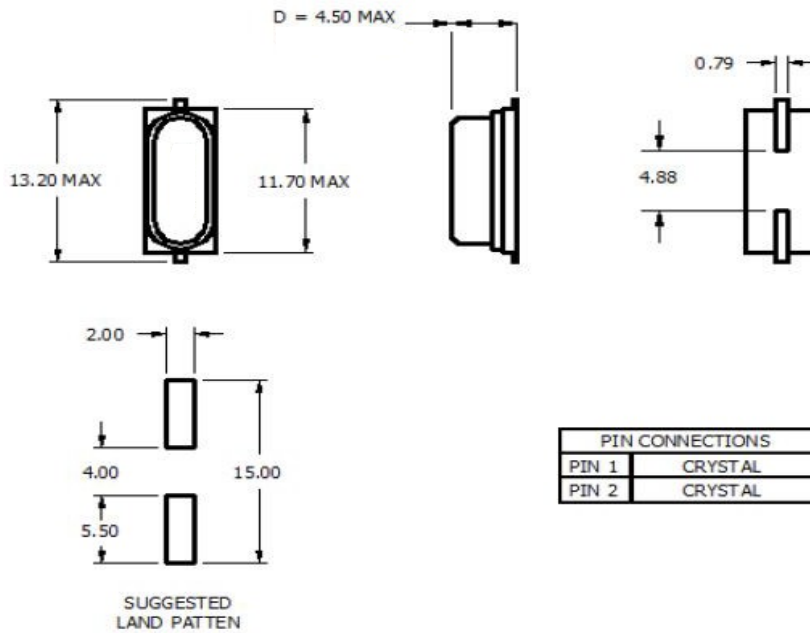


- **HC-49/S SMD Crystal**
- **3rd Lead Ground Option Available**
- **Wide Frequency Range**
- **Fundamental or 3rd OT AT Cut**

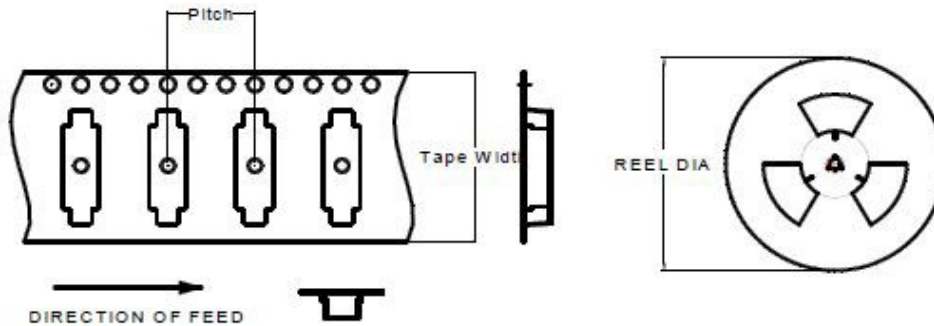


Frequency Range	3.200MHz to 80.000MHz
Frequency Tolerance / Stability	(See Part Number Guide for Options)
Operating Temperature Range	(See Part Number Guide for Options)
Storage Temperature	-55°C to +125°C
Aging	±5ppm / first year Max
Shunt Capacitance	7pF Max
Load Capacitance	20pF Standard (See Part Number Guide for Options)
Equivalent Series Resistance	See ESR Chart
Mode of Operation	See ESR Chart
Drive Level	1mW Max

Mechanical Details



Tape & Reel

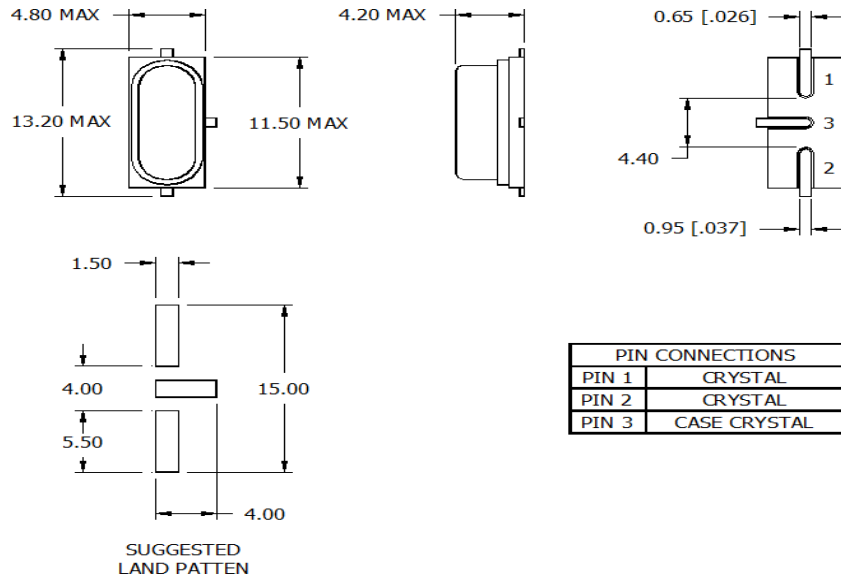


PITCH	12.00 [0.628]
TAPE WIDTH	24.00 [0.945]
REEL DIA	330 [13]
COUNT.	1000

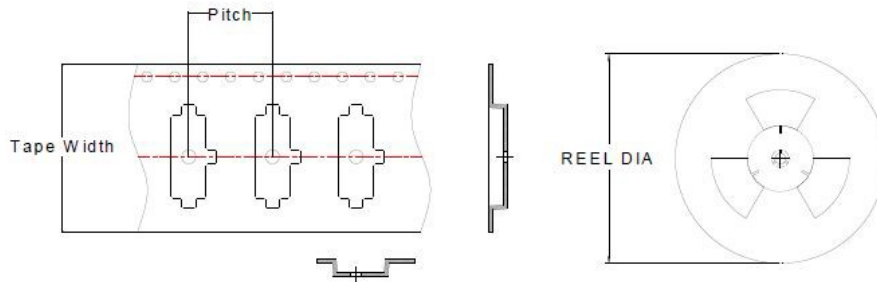
Notes: UNLESS OTHERWISE SPECIFIED

1. Applicable Standards / Specifications
ANSI Y14.5M, Dimensions and Tolerances
EIA-481-B, 8mm through 200mm Embossed Carrier Tapping and 8mm and 12mm Punched Carrier Tapping of Surface Mount Components for Automatic Handling.
2. Dimensions are in millimetres.
3. Tolerances are ± 0.1 [0.004] mm unless otherwise specified.
4. Do not scale drawing.

3rd Lead Mechanical Details



3rd Lead Tape & Reel Dimensions



PITCH	12.00 [0.471]
TAPE WIDTH	24.00 [0.942]
REEL DIA	330 [13.0]
COUNT.	1000 pcs

NOTES: UNLESS OTHERWISE SPECIFIED

5. Applicable Standards / Specifications
ANSI Y14.5M, Dimensions and Tolerances
EIA-481-B, 8mm through 200mm Embossed Carrier Tapping and 8mm and 12mm Punched Carrier Tapping of Surface Mount Components for Automatic Handling.
6. Dimensions are in millimetres.
7. Tolerances are ± 0.10 [0.004] mm unless otherwise specified.
8. Do not scale drawing.