

KL5BPLC200WMP

HD-PLC Data Processing IC

Databrief

Rev. 0.7.2

MegaChips Corporation' Proprietary

This document contains proprietary information of MegaChips Corporation. MegaChips Corporation reserves the right to make any change herein at any time without prior notice. MegaChips Corporation does not assume any responsibility or liability arising out of application or use of any product or service described herein except as explicitly agreed upon.

1 Product overview

1.1 Function Overview

The KL5BPLC200WMP is an HD-PLC LSI designed to connect a wide range of home network devices in a flexible manner using existing residential electrical wiring. Its capabilities include transmission of high-definition video and other broadband content. HD-PLC is the name of a high definition power line communication system put forth by Panasonic.

Thanks to compatibility with the ubiquitous Ethernet standard, the KL5BPLC200WMP can be easily connected to network-enabled products such as broadband networks, televisions, and computers anywhere there is an electrical outlet simply by supporting the Internet protocol (IP), which already enjoys widespread use.

The KL5BPLC200WMP incorporates a 32-bit RISC processor and provides a single-chip implementation of high-performance wavelet conversion OFDM functionality, MAC processing functionality with high-quality QoS support, and HD-PLC/Ethernet bridge functionality.

QoS functionality can be used to guarantee a fixed communication speed for a variety of communications ranging from data transmission and reception to video streaming and IP telephony.

The KL5BPLC200WMP also has highly integrated analog front-end chip so that no other analog front-end IC for PLC is necessary. An on-chip PLL multiplier and synthesizer provide all the required clock signals from a single crystal or clock source.

Following are the features of KL5BPLC200WMP.

- Single chip solution for HD-PLC application.
- Network construction and optimization, advanced network diagnostics and management.
- HD-PLC network bridge function compatible with Ethernet address system.
- Ensuring the security and easy connectivity by data encryption using AES.
- High-speed communications up to 432 carriers within 2-28MHz band(Maximum PHY Rate: 240Mbps without notch)
- Determine the optimal rate according to the power line channel characteristics with the multilevel modulation for each sub-carrier.
- Optional sub-carriers masking function to be adapted to individual country's regulations.
- Level-up function to achieve maximum speed under individual country's regulations.
- Error correction and selective transmission retry to achieve efficient frame transfer.
- Backward compatible with existing 1st, 2nd HD-PLC systems.
- IEEE1901 compliant(Wavelet MAC/PHY, ISP)

1.2 Block Diagram

Figure- 1 shows a block diagram of the KL5BPLC200WMP.

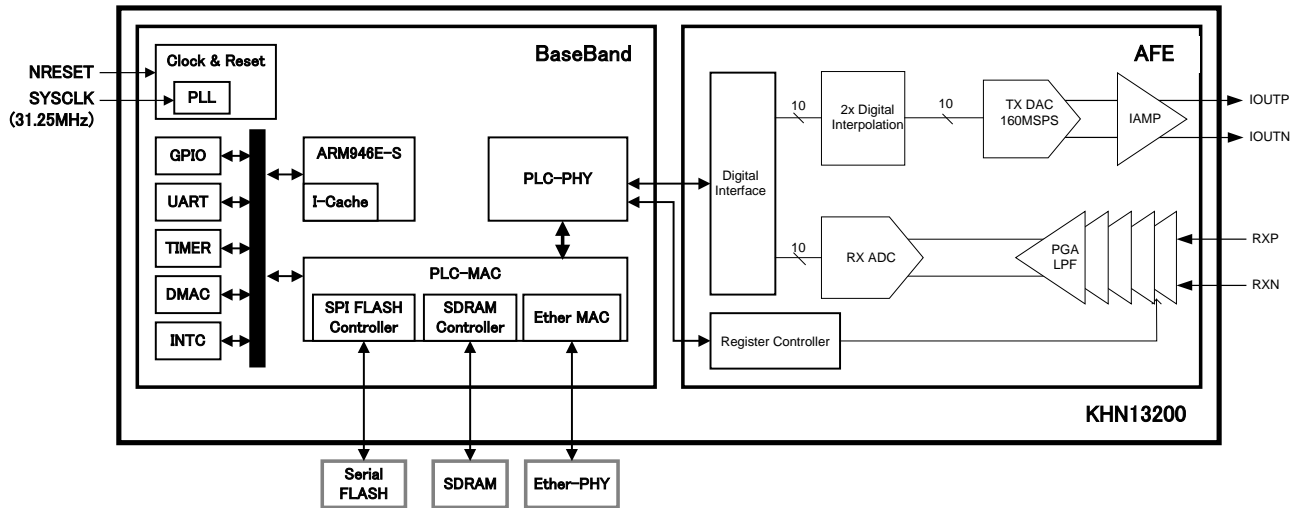


Figure- 1 KL5BPLC200WMP Block Diagram

3 Operating Conditions

3.1 Absolute Maximum Ratings

Table- 1 shows absolute maximum ratings.

Table- 1 Absolute Maximum Ratings

Parameter	Symbol	Rating	Unit
External supply IO voltage	V_{IOVDDW}	-0.3 to 4.0	V
External supply Analog voltage	V_{A33VDD}	-0.3 to 4.0	V
External supply Analog voltage	$V_{OSC33VDD}$	-0.3 to 4.0	V
Internal supply voltage for BaseBand	V_{CVDD}	-0.3 to 1.32	V
Internal supply voltage for AFE (Analog Part)	V_{A12VDD}	-0.3 to 1.6	V
Internal supply voltage for AFE (Digital Part)	V_{D12VDD}	-0.3 to 1.6	V
Input pin voltage	V_I	-0.3 to $V_{IOVDDW} + 0.3$	V
Analog Input/Output Voltage RXP,RXN,IREF IOUTP, IOUTN OSCIN, XTAL	V_{A1} V_{A2} V_{A3}	-0.3 to $V_{A33VDD} + 0.3$ -0.3 to 6.0 -0.3 to $V_{OSC33VDD} + 0.3$	V V V
Output current (2mA)	I_O	-5.2/+15.9	mA
Output current (4mA)	I_O	-10.6/+31.7	mA
Output current (8mA)	I_O	-21.2/+63.4	mA
Power dissipation	P_D	700	mW
Storage temperature	T_{stg}	-55 to 125	°C

Note:

- The absolute maximum ratings are the limit values beyond which the IC may be damaged. Operation is not guaranteed under these conditions.
- Directly connect all VDD pins to external power supplies and ground all VSS pins.
- Ensure that the junction temperature (T_j) is 125°C or less during use.

3.2 Recommended Operating Conditions

Table- 2 shows recommended operating conditions.

Table- 2 Recommended Operating Conditions

Parameter	Symbol	Conditions	Min.	Typ.	Max.	Unit
External supply voltage	V_{IOVDDW} V_{A33VDD} $V_{OSC33VDD}$	---	3.1	3.3	3.5	V
Internal supply voltage	V_{CVDD} V_{A12VDD} V_{D12VDD}	---	1.1	1.2	1.3	V
Operating package surface temperature	T_C	$T_j = 125^\circ\text{C}$	-40	---	85	°C

4 Package

Figure- 3 shows the package outline of KL5BPLC200WMP (Exposed TQFP-144 pins).

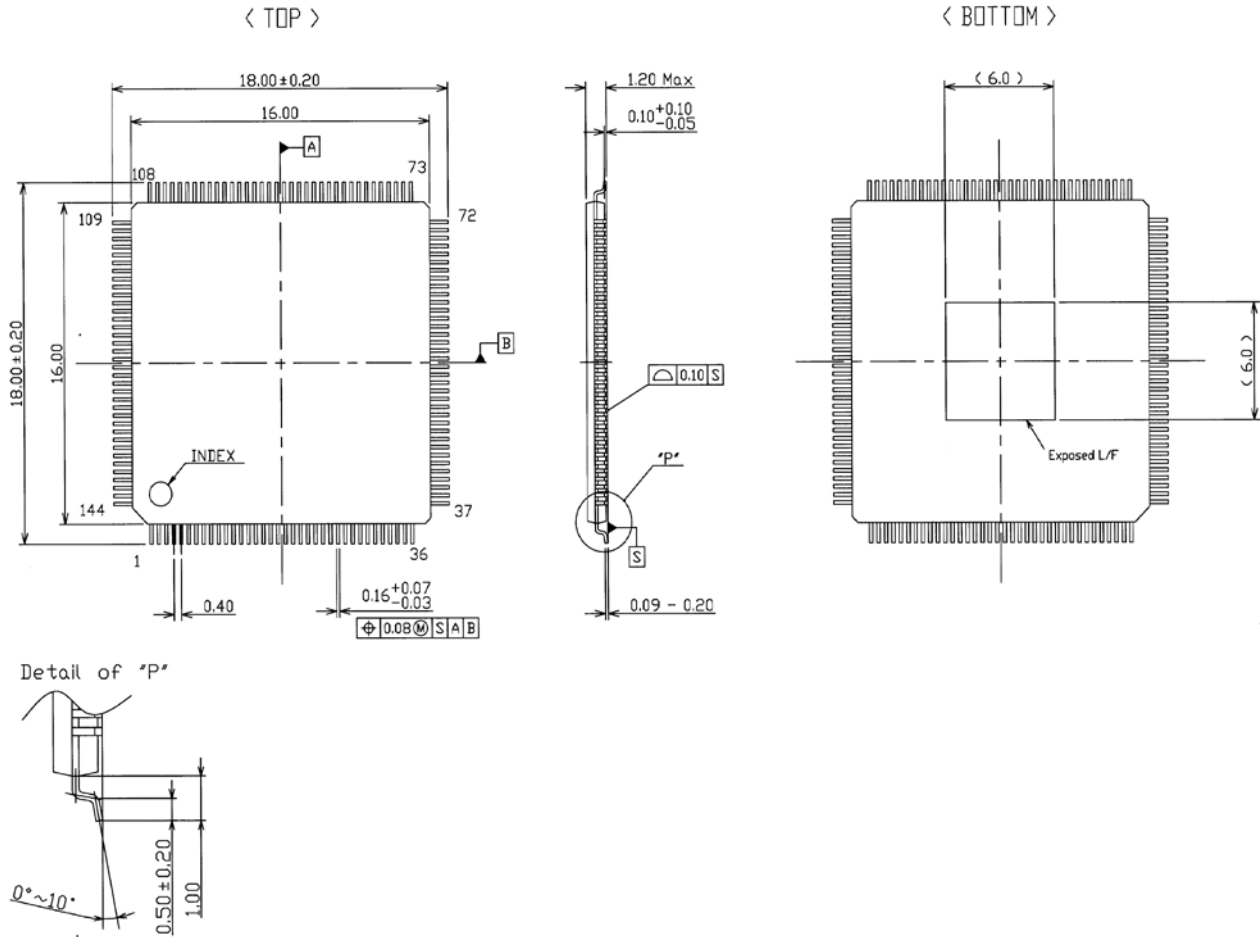


Figure- 3 KL5BPLC200WMP package outline (Exposed TQFP-144 pins)

5 Ordering Information

Part Number: KL5BPLC200WMP

Notice

- Semiconductor products may possibly experience breakdown or malfunction. Adequate care should be taken with respect to the safety design of equipment in order to prevent the occurrence of human injury, fire or social loss in the event of breakdown or malfunction of semiconductor products
 - The overview of operations and illustration of applications described in this document indicate the conceptual method of use of the semiconductor product and do not guarantee operability in equipment in which the product is actually used.
 - The names of companies and trademarks stated in this document are registered trademarks of the relevant companies.
 - MegaChips Corporation provides no guarantees nor grants any implementation rights with respect to industrial property rights, intellectual property rights and other such rights belonging to third parties or/and MegaChips Corporation in the use of products and of technical information including information on the overview of operations and the circuit diagrams that are described in this document.
 - The product described in this document may possibly be considered goods or technology regulated by the Foreign Currency and Foreign Trade Control Law. In the event such law applies, export license will be required under said law when exporting the product. This regulation shall be valid in Japan domestic.
 - In the event the intention is to use the product described in this document in applications that require an extremely high standard of reliability such as nuclear systems, aerospace equipment or medical equipment for life support, please contact the sales department of MegaChips Corporation in advance.
 - All information contained in this document is subject to change without notice.
-