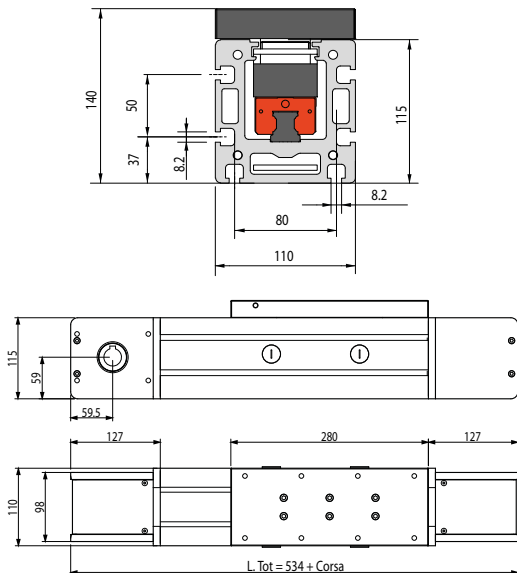
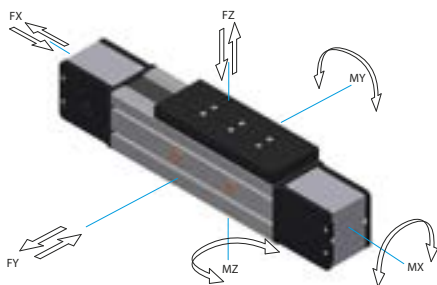


AG110



Technical features

No. of shoes	2
Positioning repeatability	+/- 0.1 mm
Max speed	4.5 m/sec
Standard hole with tab seat	Ø 14 - 19 - 25 mm
Complete male shaft	Ø 25 - 32 - 40 mm
Pitch diameter	Ø 95.49mm
Pulley	Z30 AT10
Belt	AT10 50
Travel mass 0 mm	16.396 Kg
Travel mass every 100 mm	1.69 Kg



Maximum loads	Maximum moments
FX = 7670 N**	MX = 518 Nm
FY = 36900 N	MY = 3638 Nm
FZ = 36900 N	MZ = 3638 Nm
MINIMUM EMPTY TORQUE	1.7 Nm
Recommended loads	Recommended moments
FX = 3835 N	MX = 103 Nm
FY = 7380 N	MY = 727 Nm
FZ = 7380 N	MZ = 727 Nm

** The belt breaking load is 30685 N.