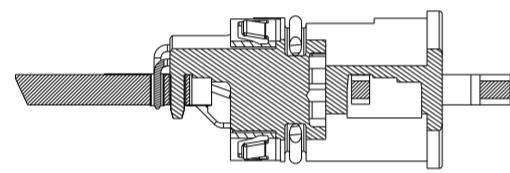
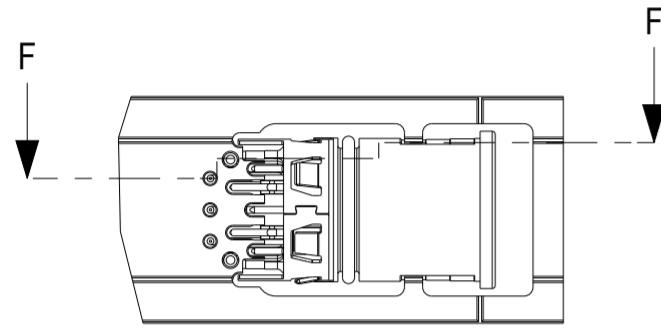
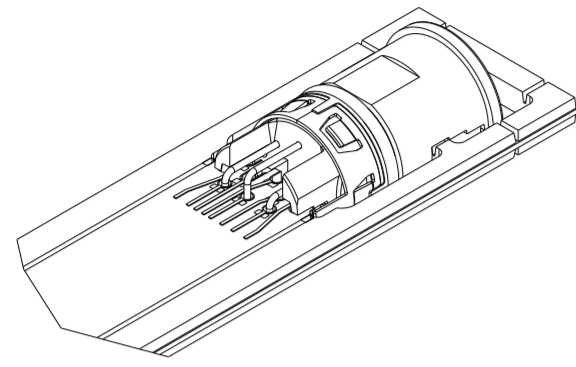


Leiterplatten Optionen / PCB options

Leiterplattendicke 2 mm
Layoutempfehlung siehe 225508

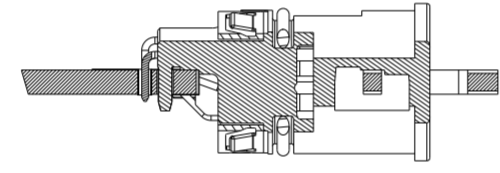
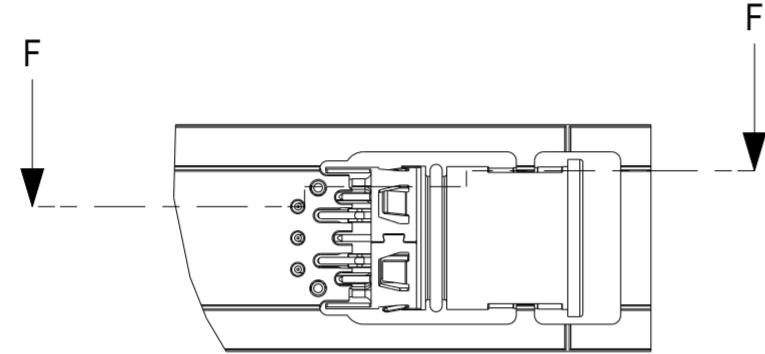
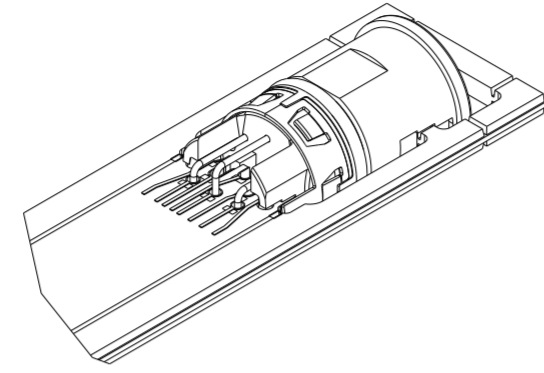
PCB thickness 2 mm
For recommended dims see 225508



SCHNITT F-F
SECTION F-F

Leiterplattendicke 1,6 mm
Layoutempfehlung siehe 225508

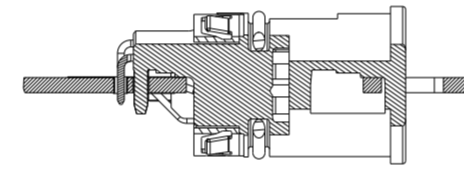
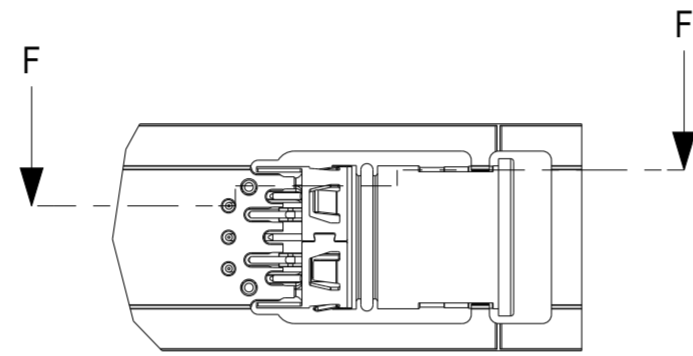
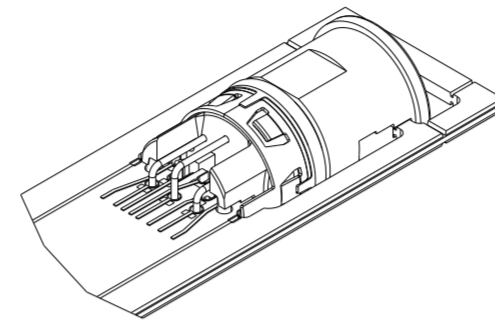
PCB thickness 1,6 mm
For recommended dims see 225508



SCHNITT F-F
SECTION F-F

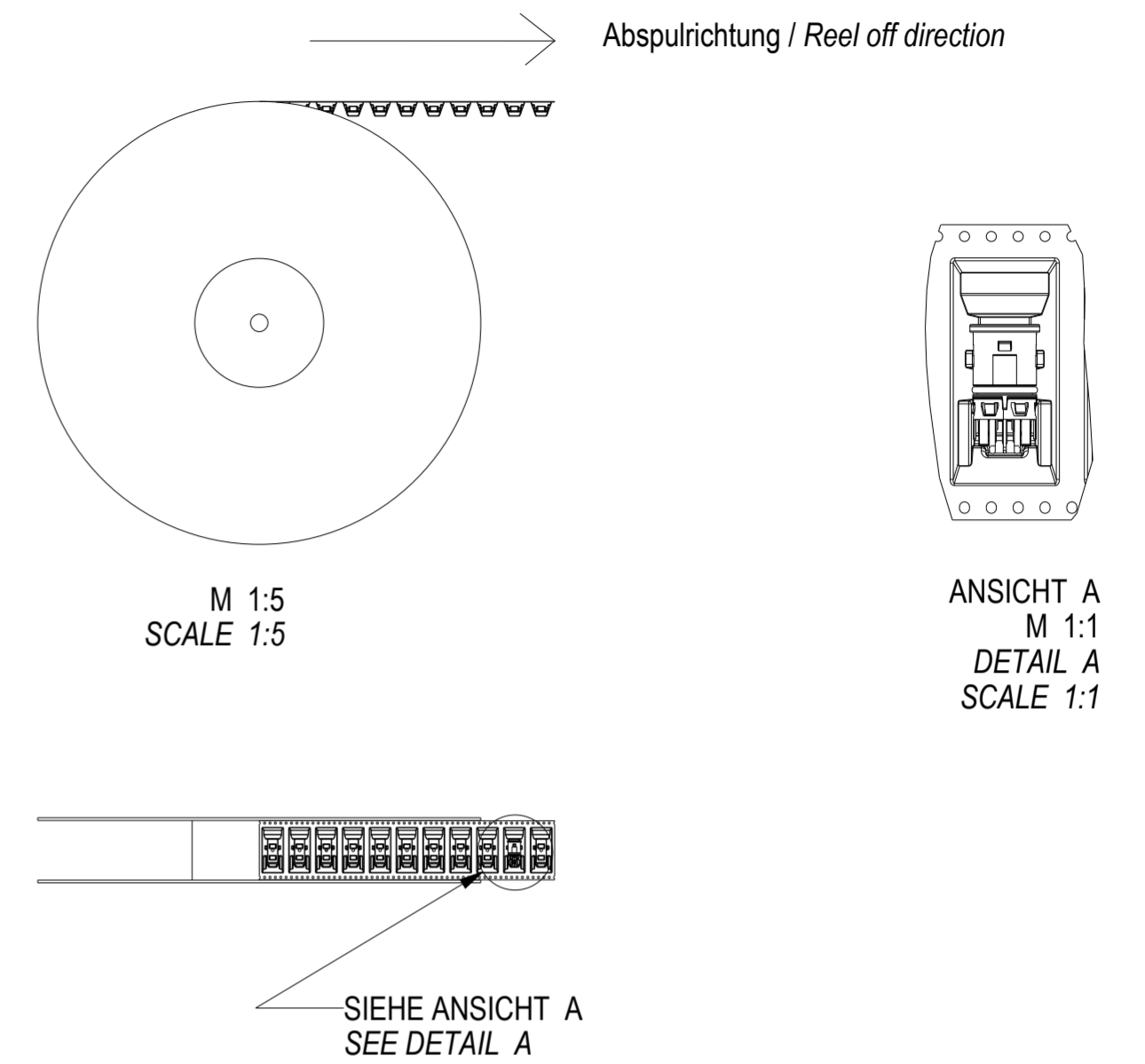
Leiterplattendicke 1 mm
Layoutempfehlung siehe 225508

PCB thickness 1 mm
For recommended dims see 225508

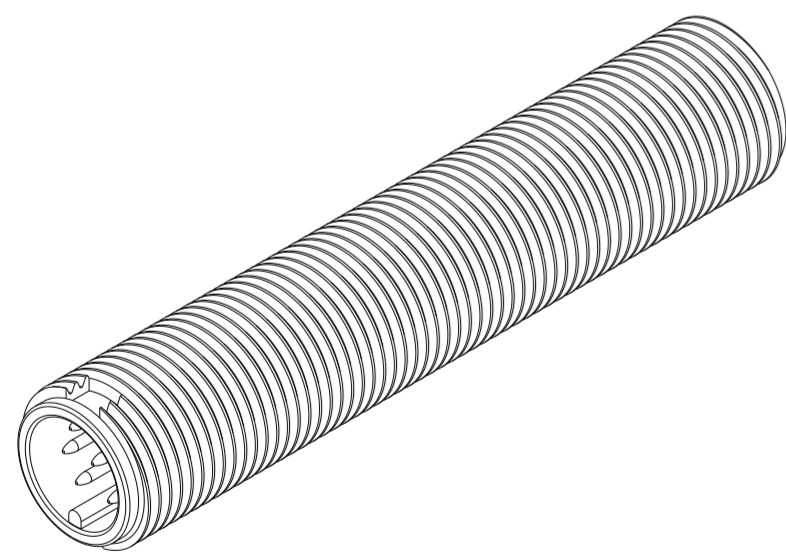


SCHNITT F-F
SECTION F-F

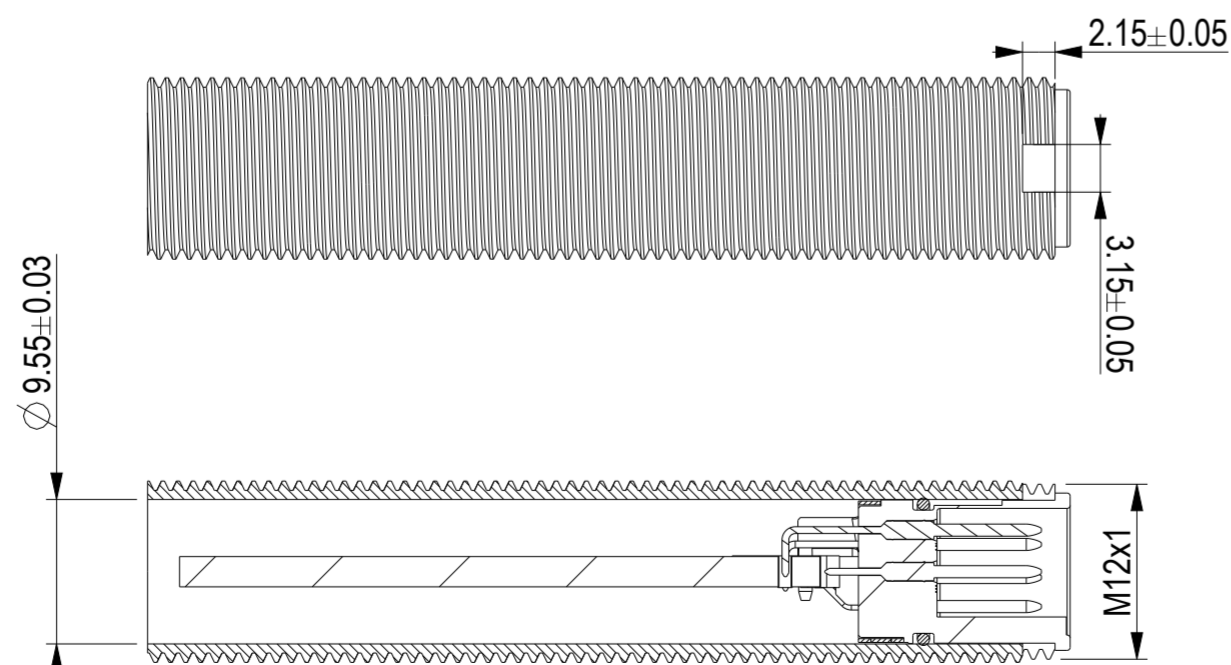
Verpackung / Packaging tape and reel (T&R)



Anwendungsbeispiel / Application example



Version mit Verdrehsschutz
Version with torque ribs



SCHNITT C-C
M 2:1
SECTION C-C
SCALE 2:1

Technische Daten siehe Document 225407
Technical data see document 225407

225291	2	no	no	yes	8	1,2,3,4,5,6,7,8	T&R	
225292	2	no	yes	yes	8	1,2,3,4,5,6,7,8	T&R	
225521	2	yes	no	yes	8	1,2,3,4,5,6,7,8	T&R	
225522	2	yes	yes	yes	8	1,2,3,4,5,6,7,8	T&R	
Ident-Nr. Ident-No.	Zeichn. Blatt Drw. sheet	Verdrehsschutz Antitwist	Schirm Shield	O-ring O-ring	Polzahl No. pins	Kontakt Nr. Contact No.	Verpackung Packaging	Bemerkung Remarks

Copyright by ERNI GmbH
Proprietary notice pursuant to ISO 18016 to be observed.

Information
All rights reserved.
Only for information.
To ensure that this is the latest version of this drawing, please contact one of the ERNI companies before using.

Tolerances
Scale 2:1
All Dimensions in mm
Subject to modification without prior notice.
Drawing will not be updated.

Designation
alle Varianten / all versions
M12 90° M A THR Frontmontage
M12 90° M A THR front mount

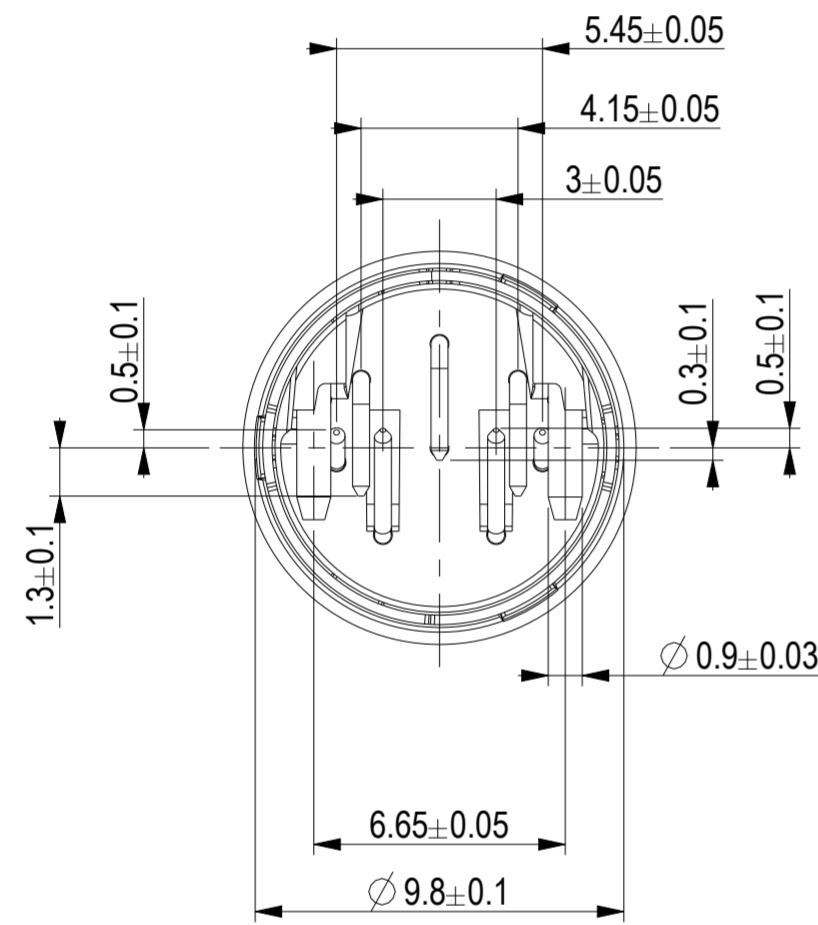
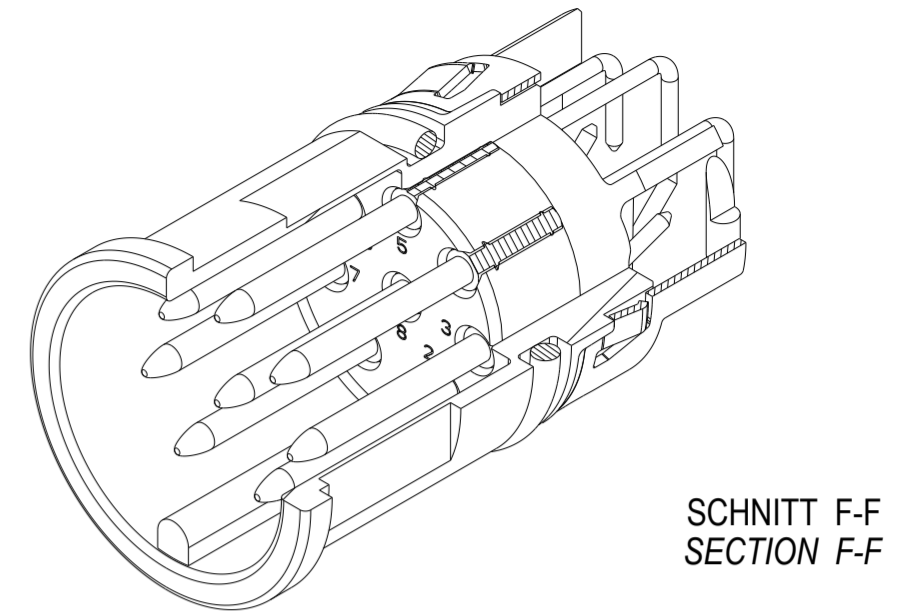
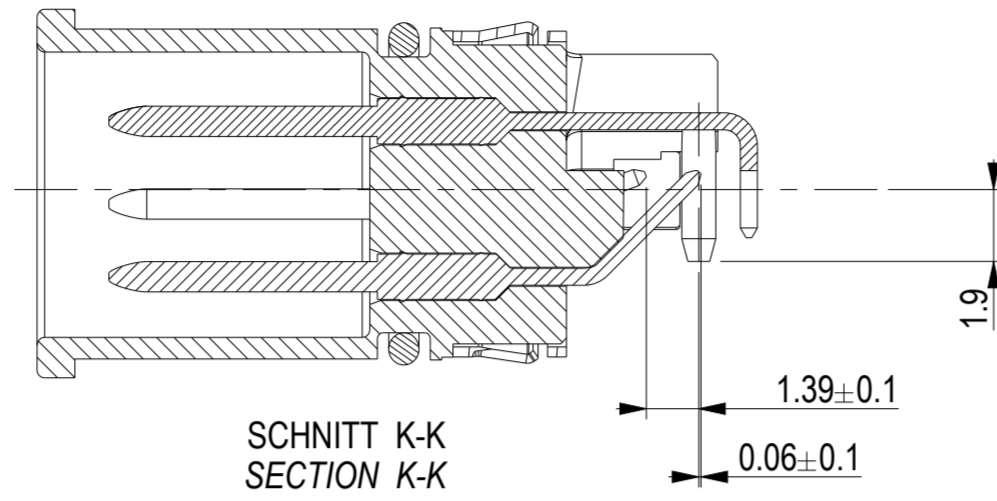
A
Index

30.09.14
Date

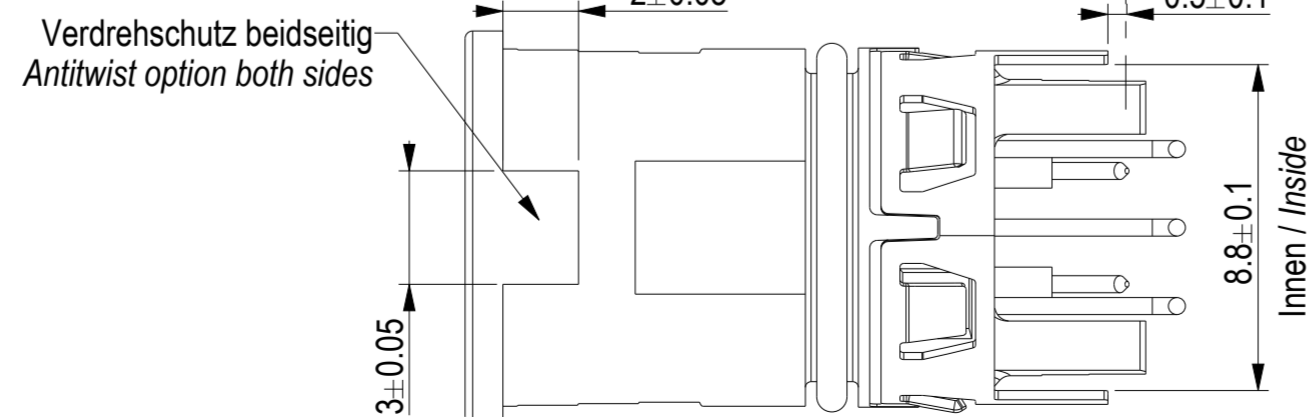
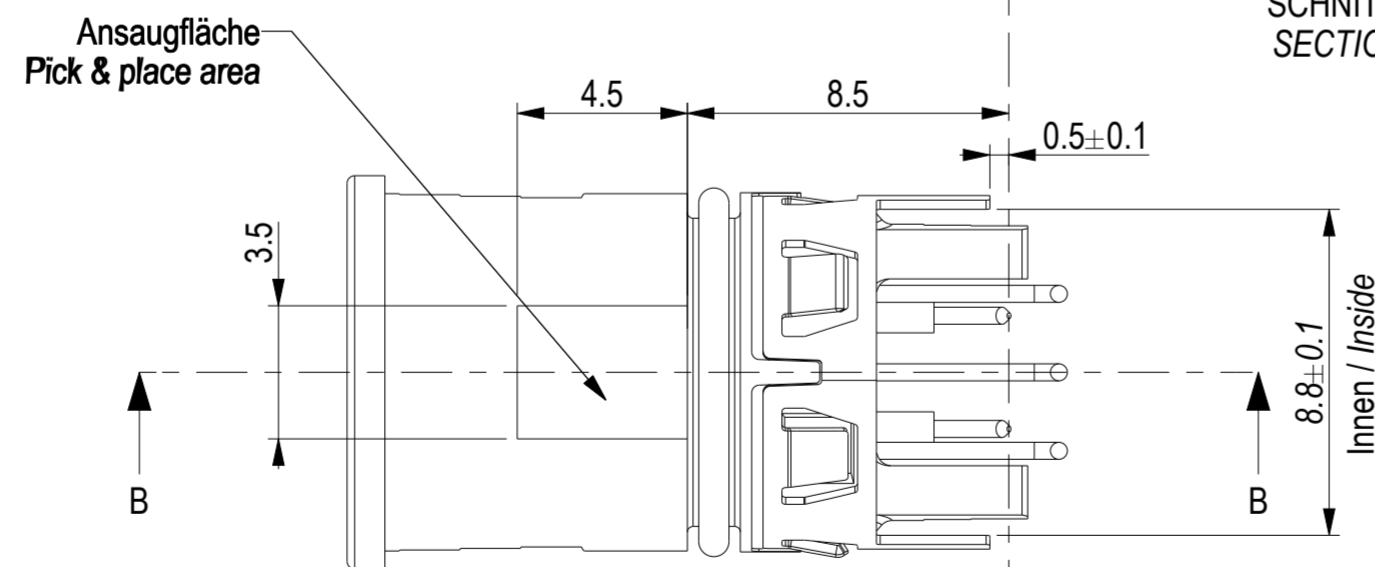
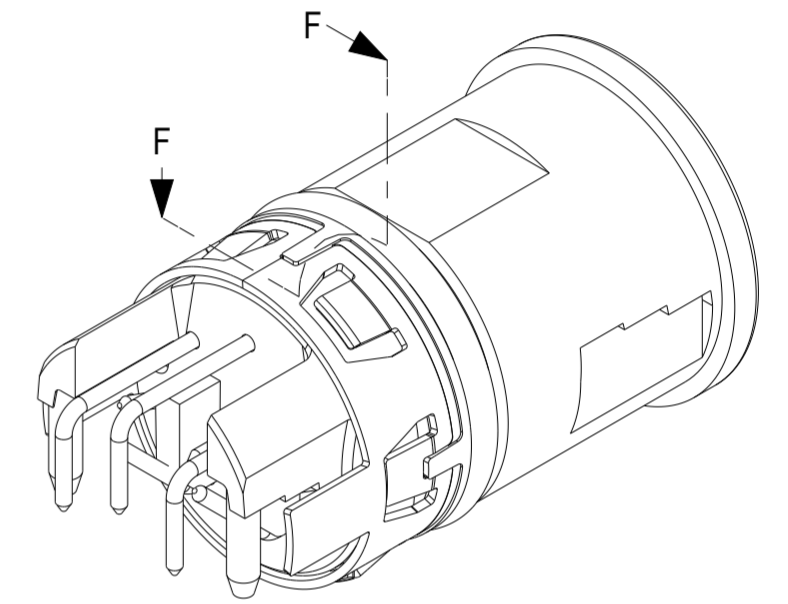
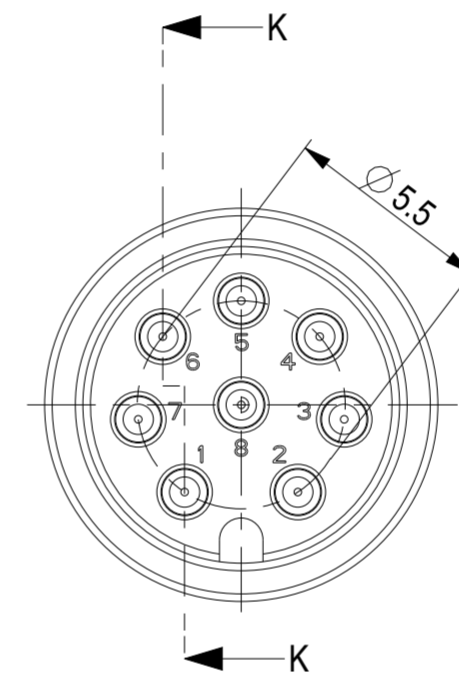
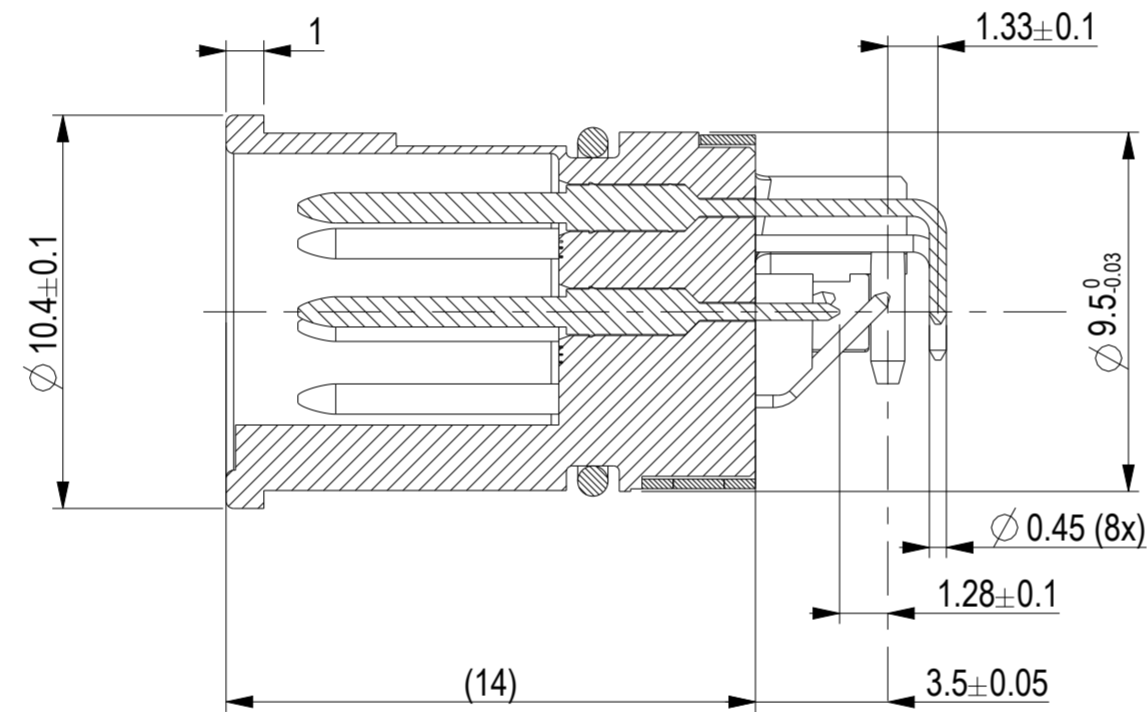
225293
Class M12

Ident-Nr. <i>Ident-No.</i>	O-ring <i>O-ring</i>	Schirm <i>Shield</i>	Verdrehschutz <i>Antitwist option</i>	Verguss <i>Potting</i>
225291	yes	no	no	needed
225292	yes	yes	no	recommended
225521	yes	no	yes	not needed
225522	yes	yes	yes	not needed

Darstellung mit Schirm und O-Ring
Drawn with shield and O-ring



Gemessen über Schirmkontakte
Measured over shield contacts



Steckgesicht nach IEC 61076-2-101
Mating face acc. IEC 61076-2-101

Copyright by ERNI GmbH
Proprietary notice pursuant to BSC 18016 to be observed.

Information		Tolerances	Scale	5:1	
All rights reserved. Only for information. To ensure that this is the latest version of this drawing, please contact one of the ERNI companies before using.		 All Dimensions in mm	Designation		
			8 polige Version / 8 pin version		
		Subject to modification without prior notice. Drawing will not be updated.		M12 90° M A THR Frontmontage M12 90° M A THR front mount	
		www.ERNI.com		225293	
A	30.09.14			I (2 / 2)	
Index	Date			A2	
				Class M12	

Handschriftliche Änderungen auf CAD Zeichnungen sind nicht zulässig!