



REED SWITCH DEVELOPMENTS CORP.

2524 Norwood Court
Racine, WI 53403
Ph: (262)883-9060

sales@reedswitchdevelopments.com

SPECIFICATION SHEET

2010-1166-400

Alternate Part Number:
AM2010-1166-10K01

Active / Equivalent Part Numbers:

2010-1166-400 - KIT - Contains

(1) 2010-1166-100 - Magnetic Reed Sensor

(1) 2010-4002-000 - Magnetic Actuator

AM2010-1166-10K01 - KIT - Contains

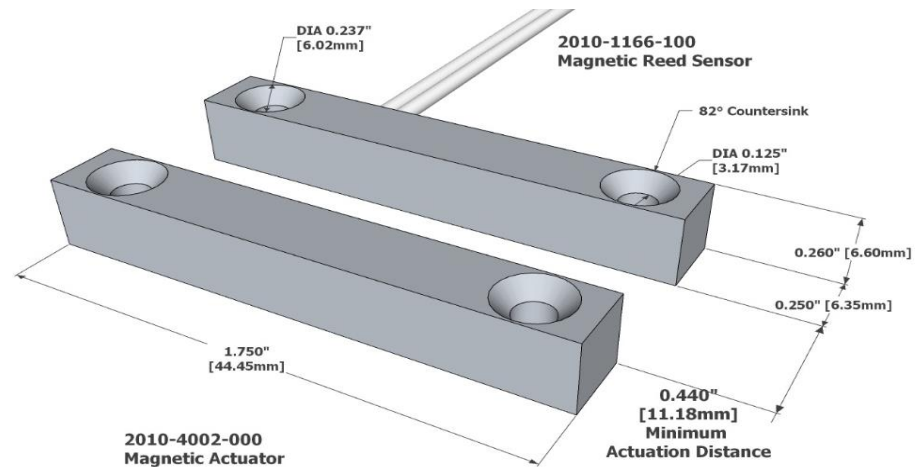
(1) AM2010-1166-10-01 - Magnetic Reed Sensor

(1) AM2010-4002-00-01 - Magnetic Actuator

Sensor (Reed) - Specifications 1166

Physical	
Configuration	SPST
Form	A
Contact Position	CENTER
Glass L	10.5 mm
Glass D	2.2 mm
Total L*	34.5 mm
Wire D	N/A mm
Gap Location	CENTER
Mount Spec*	N/A
Contact Material	N/A
Max Vibration Resistance	20 G
Max Shock Resistance (11ms)	50 G
Lead Tensile Strength	N/A KG
Operating	
Pull in (+/- 2AT)*	15-20 AT
Drop out*	N/A AT
Operate Time	0.5 ms
Bounce Time	INCL ms
Release Time	0.1 µs
Resonant Frequency	N/A Hz
Max Operating Frequency	N/A Hz
Operating Temperature Range	-40 - 130 °C
Storage Temperature	-55 - 130 °C
Electrical	
DC Contact Rating	20 W
AC Contact Rating	N/A VA
DC Switching Voltage	200 VDC
AC Switching Voltage	140 VAC
DC Switching Current	1.00 A
AC Switching Current	1.00 A
DC Max Carry Current	1.25 A
AC Max Carry Current	1.25 A
Min Breakdown Voltage	220 VDC
Max Initial Contact Resistance	150 mOhm
Typical Initial Contact Resistance	N/A mOhm
Max Contact Capacitance	0.30 pF
Min Insulation Resistance	10 ¹² Ohm

* Pre-processed, bare reed element



All measurements are in Inches [millimeters]

Sensor - Wire/Cable Characteristics (cont.)

Type	Wire
Conductor Count	2
Length	6.0"/152.4mm
Colors	BLK
Insulation Material	PVC
Gauge	24 AWG
Stranded Copper	7 STR-TC
Maximum Temp	105°C

Housing Characteristics 2010

Rectangular w/ Mounting Holes	
Length	1.750"/44.45mm
Width	0.250"/6.35mm
Height	0.260"/6.60mm
Material	Celanex 3316

Standard Actuator: 2010-4002-000

Specifications	Description	UM
Magnetic Orientation	Through Length	
Max Operating Temp.	975/525	°F/°C
Curie Temp.	1580/860	°F/°C
BR max	12.8	kGauss
BH max	5.5	MGOe
Coercive Force Hc	640	kOe
Intrinsic Coercive Force Hci	640	kOe

Standard Sensor/Actuator - Min. Actuation Distance

2010-4002-000	0.41"/11.1mm
---------------	--------------

Assembly Certifications

UL Recognized (File #: E102207)	Y
RoHS / REACH Compliant	Y
Conflict Free Material	Y

REV DATE: 10/06/2021

DISCLAIMER NOTICE: INFORMATION FURNISHED IS PROPRIETARY, AND IS BELIEVED TO BE ACCURATE AND RELIABLE, AND IS SUBJECT TO CHANGE WITHOUT NOTICE. IT SHALL BE THE RESPONSIBILITY OF THE BUYER TO ENSURE THAT THE GOODS ARE SUFFICIENT AND SUITABLE FOR THE PURPOSE OR PURPOSES INTENDED (WHETHER BY THE BUYER OR BY ANY THIRD PARTY) AND THAT THEIR CAPACITY AND PERFORMANCE IS NOT ADVERSELY AFFECTED BY ANY ITEMS USED IN THEIR INSTALLATION (WHERE RELEVANT) AND/OR IN CONNECTION WITH THEM.

WBE Certified - State of Wisconsin - MFR CAGE CODE: 32604

www.reedswitchdevelopments.com