



Call for Assistance Buzzer/Strobe Kit

P/N 115792

Typical Installation

- Install Buzzer/Strobe, Pullcord Station and Transformer according to the Function Table and Electrical Schematic shown below.
- Always test for proper operation before placing into service.

Technical Specifications (Strobe Light)

Voltage Rating:	24 VAC/VDC @ 100/200 mA	Three Alarm Tones:	Ambulance Siren, Pumper Sound, Police Siren
Alarm:	At least 88 db	Alarm Tone Jumper Settings:	0-0 Ambulance Siren, 1-1 Pumper Sound, 2-2 Police Siren
Flash Intensity:	1.2 WS		
Flash Period:	1.5 S		

Technical Specifications (Transformer)

Class II (UL1585)		Voltage Out:	24 VAC
Voltage In:	120 VAC	Power:	40 VAC

Function Table - Transformer

Color	Function
Black	120 VAC
White	Neutral
Yellow	+ 24 VAC
Yellow	- 24 VAC

Function Table - Pullcord Station

Wire Color	Function
Yellow Orange	Common 1 Normally Open 1
Brown Brown/White	Common 2 Normally Open 2

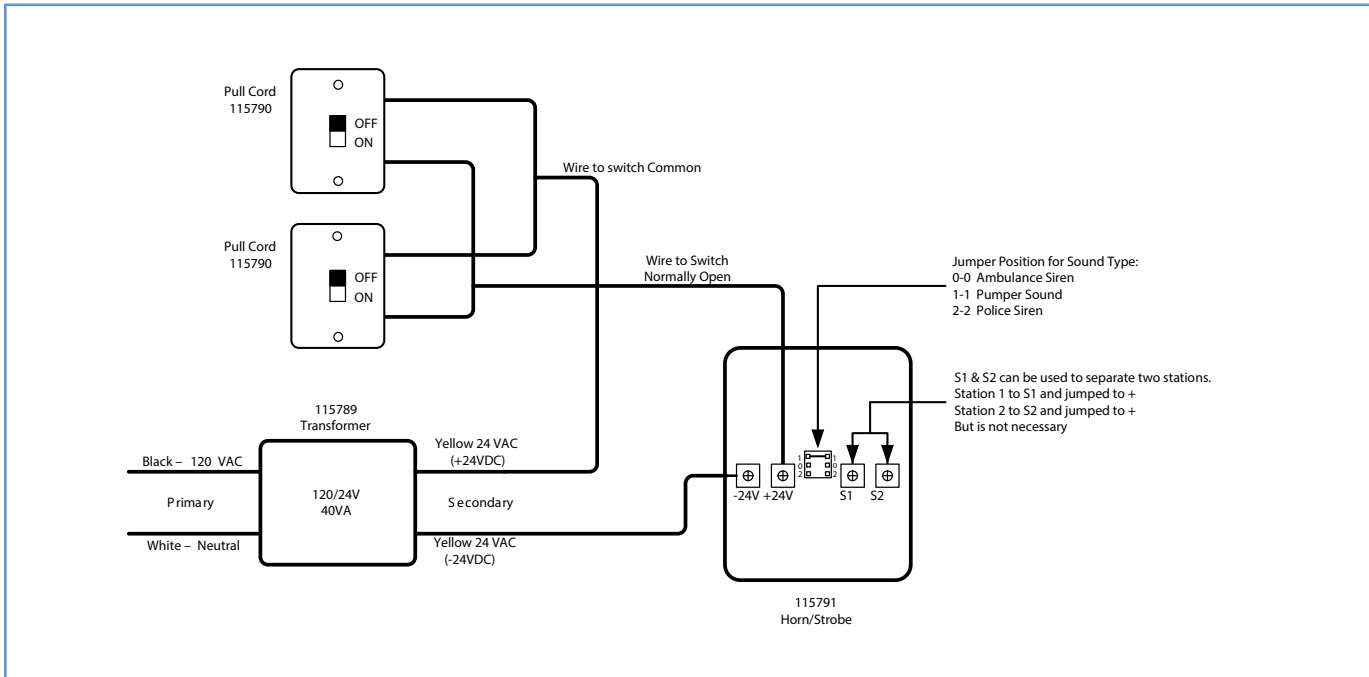
Crest Technical Support: **1-800-328-8908**

Specifications subject to change without notice.
Visit CrestHealthcare.com for additional technical documents.

Call for Assistance Buzzer/Strobe Kit

P/N 115792

Electrical Schematic



Crest Technical Support: **1-800-328-8908**

Specifications subject to change without notice.

Visit CrestHealthcare.com for additional technical documents.