

RK Monitor Mounting

Industry grade with universal
or VESA interface



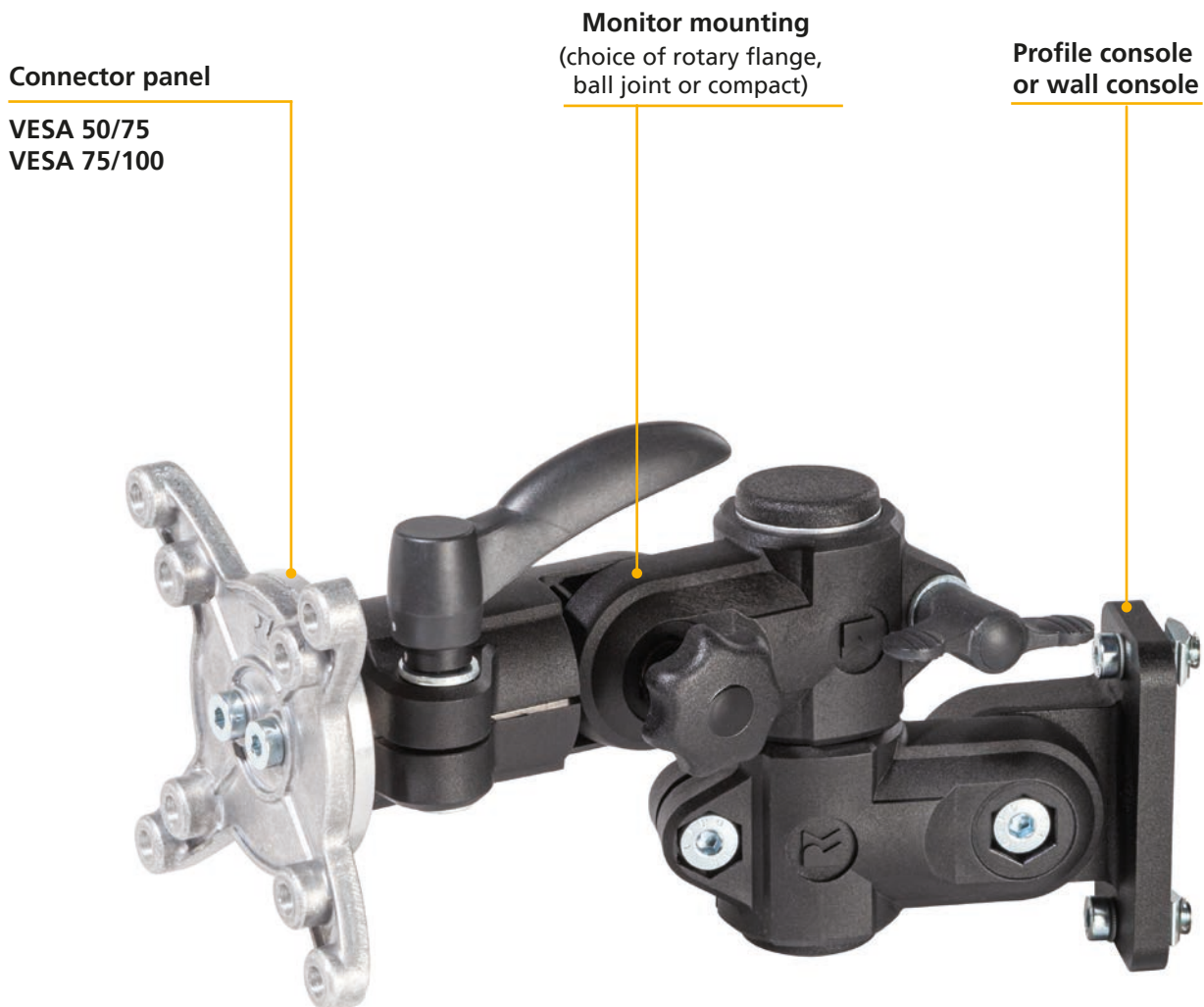
RK Monitor Mounting

All purpose mounting for monitors, touch panels and operating units

This mounting for monitors, touch panels and other operating units is flexible, offers many degrees of freedom and thus can be used universally. Due to compatibility to RK Connecting Technology as well to the RK Profile System most different connections are realizable.

Ideal range of applications:

- General industrial applications
- Plants and machines
- Control centers
- Ergonomic work stations



Features

- Choice of user-specific or VESA-standard monitor connection
- High-strength materials guarantee a long-term load-bearing capacity of up to 25 kg, for reliable processes
- Highly ergonomic thanks to personalised height adjustment
- Optimum adjustment of the field of vision thanks to side-turning
- rotary flange and ball joint: vibration-proof locking in 15° increments
- compact: fixing principle with half shells (suitable for retrofitting and extensions) reducing bushes available (round or square 20, 25, 30mm)
- Connects to aluminium profile, and thus also to the machine frame using slot stones
- Universal mounting holes facilitate simple wall mounting

Table of contents

Versions	Rotary flange monitor mounting	S. 4
	Ball joint monitor mounting	S. 4
	Monitor mounting compact.....	S. 5
Fixing	Wall console	S. 6
	Profile console.....	S. 6
	Support arm single.....	S. 7
	Support arm double	S. 8
	Support arm double height adjustable.	S. 9
	Support arm telescope.....	S.10
	Support arm telescope height adjustable.	S. 12
Modules	Monitor floor stand adjustable	S. 14
Accessories	Adaptor plate VESA 50/75	S. 18
	Adaptor plate VESA 75/100	S. 18
	Keyboard tray	S. 19
	Tablet holder	S. 20
	Smartphone holder	S. 21
	Lockable steering roller	S.22
	Vario-Quick holding block	S. 22
	Reducing bushes.....	S. 23
	Reducing inserts	S. 23
	Clamping lever	S. 24
	Cable straps with velcro.....	S. 24
Applications	Monitor Mounting	S. 24

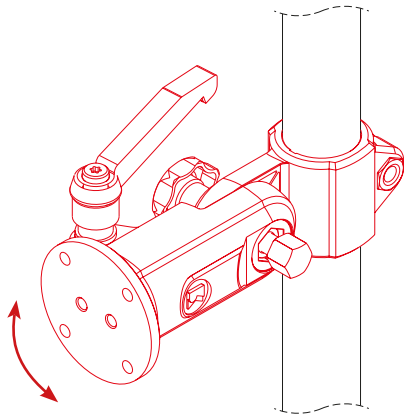
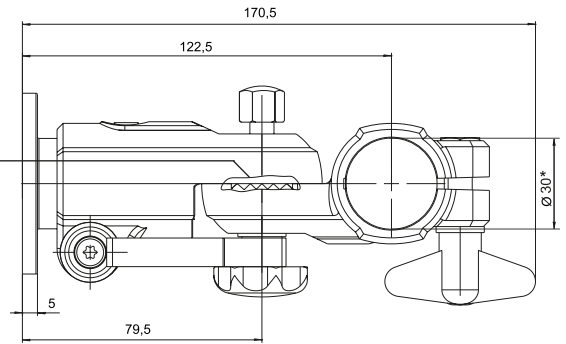
RK Monitor Mounting

Versions

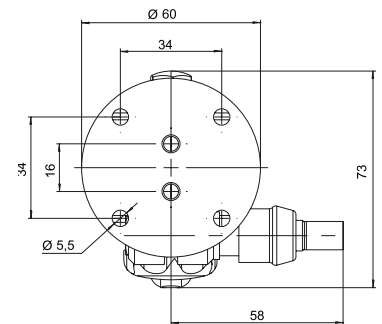
Rotary flange monitor mounting



Locking in 15° - steps



90°



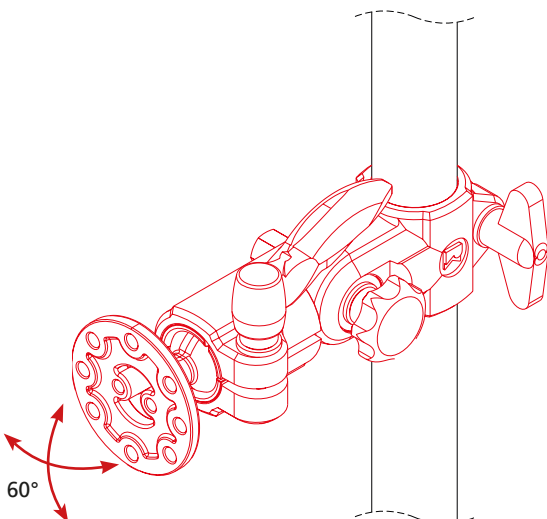
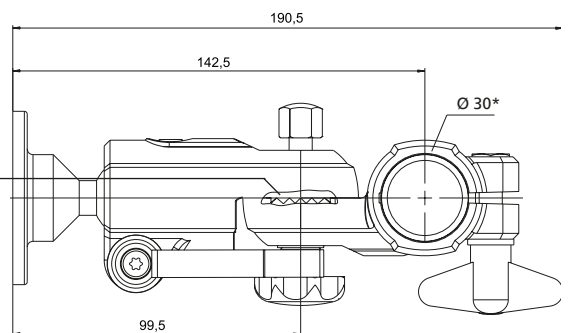
Code No.	Weight	max. load
193000030C11	370 g	25 kg

*Other cross-sections by reducing bushes (see page 23)

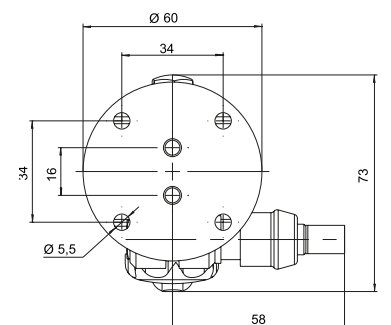
Ball joint monitor mounting



Locking in 15° - steps



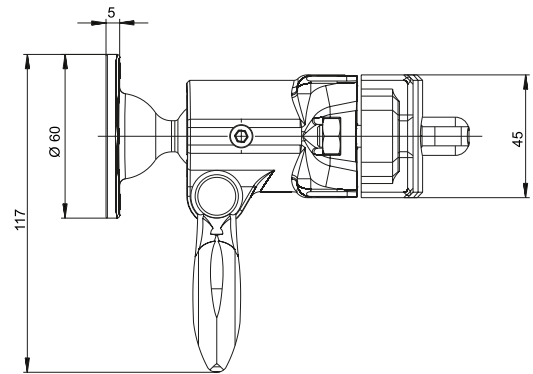
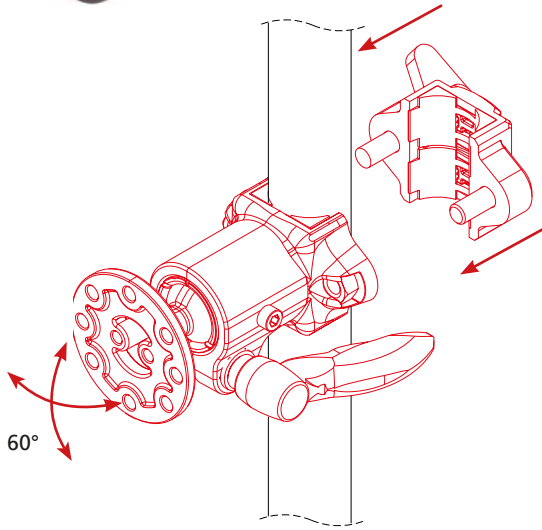
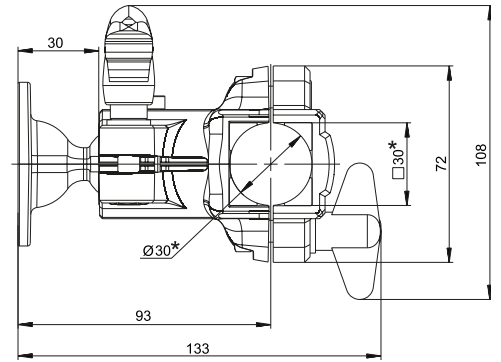
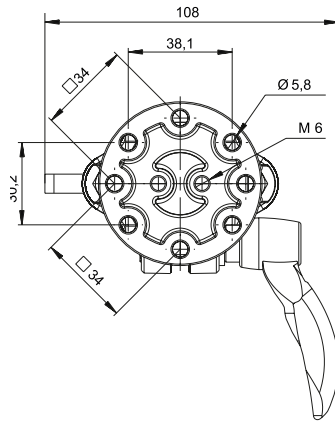
60°



Code No.	Weight	max. load
193000042C11	342 g	10 kg

*Other cross-sections by reducing bushes (see page 23)

Monitor mounting compact



Code No.	Weight	max. load
193000052C11	290 g	10 kg

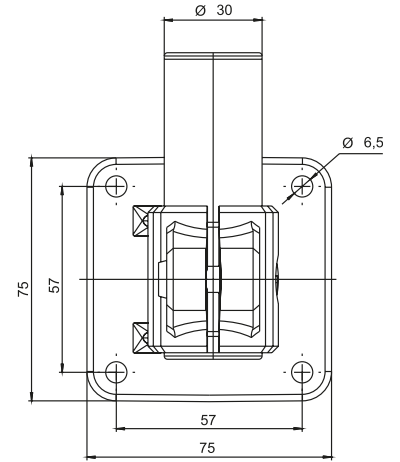
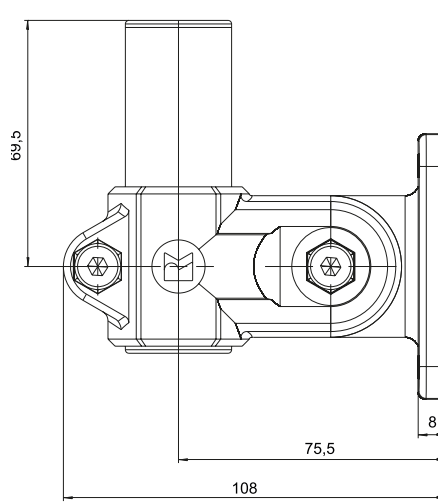
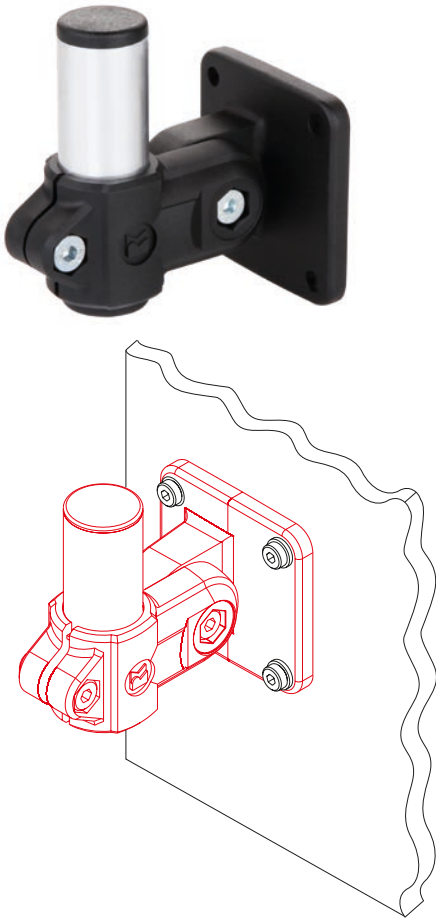
*Other cross-sections by reducing inserts (see page 23)



RK Monitor Mounting

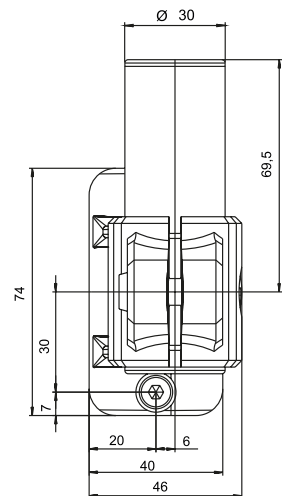
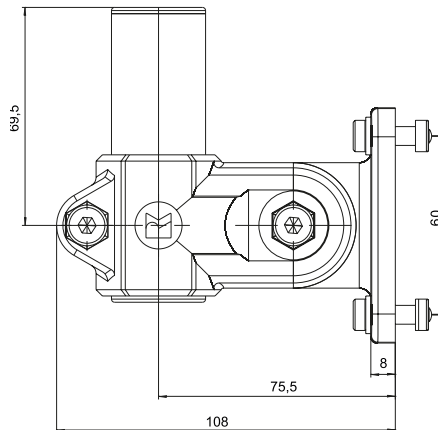
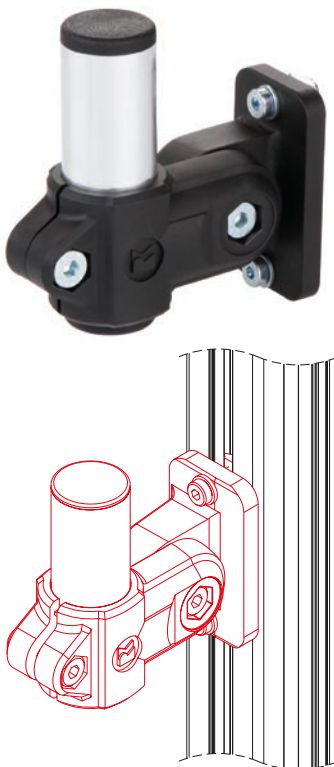
Fixing

Wall console



Code No.	Weight
193000358C66	306 g

Profile console



Includes:

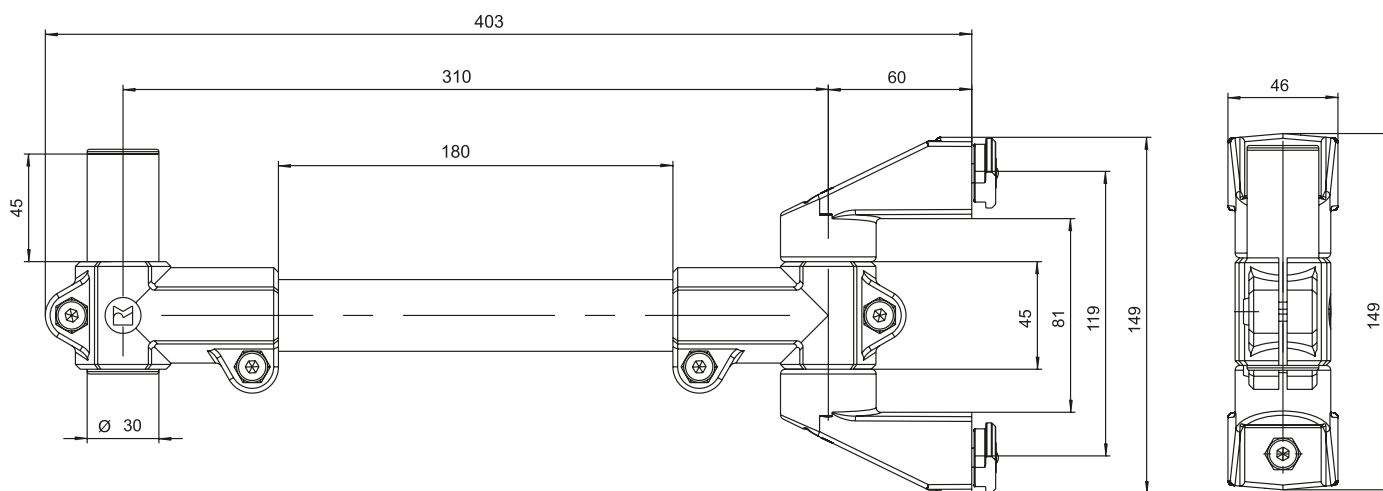
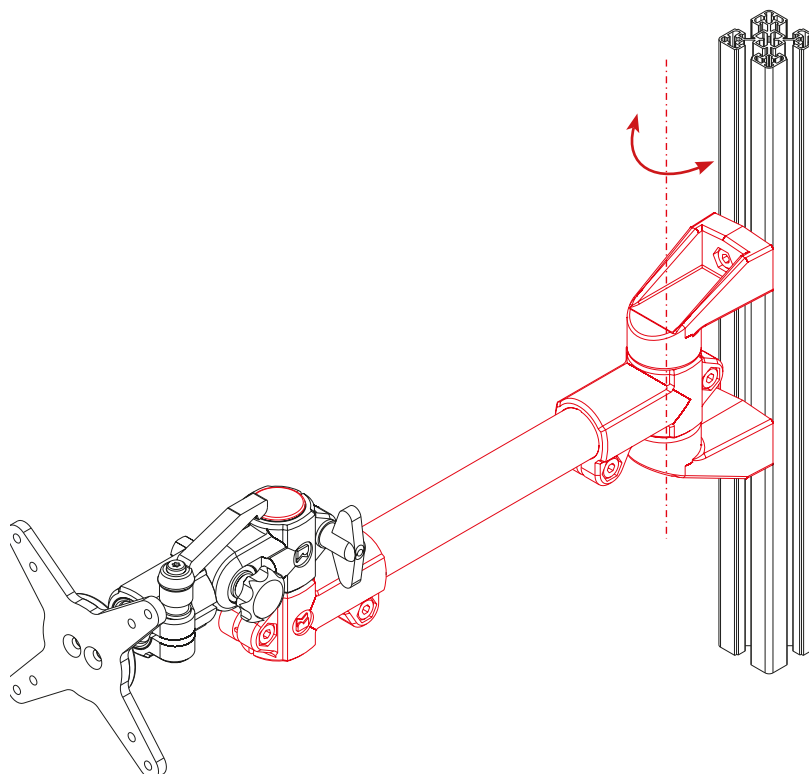
Complete with fixing set for slot geometry 40

Code No.	Weight
193000298C66	270 g

Support arm single



Includes:
Complete with fixing set for
slot geometry 40



Code No.	Weight	max. load
193000018C66	610 g	10 kg

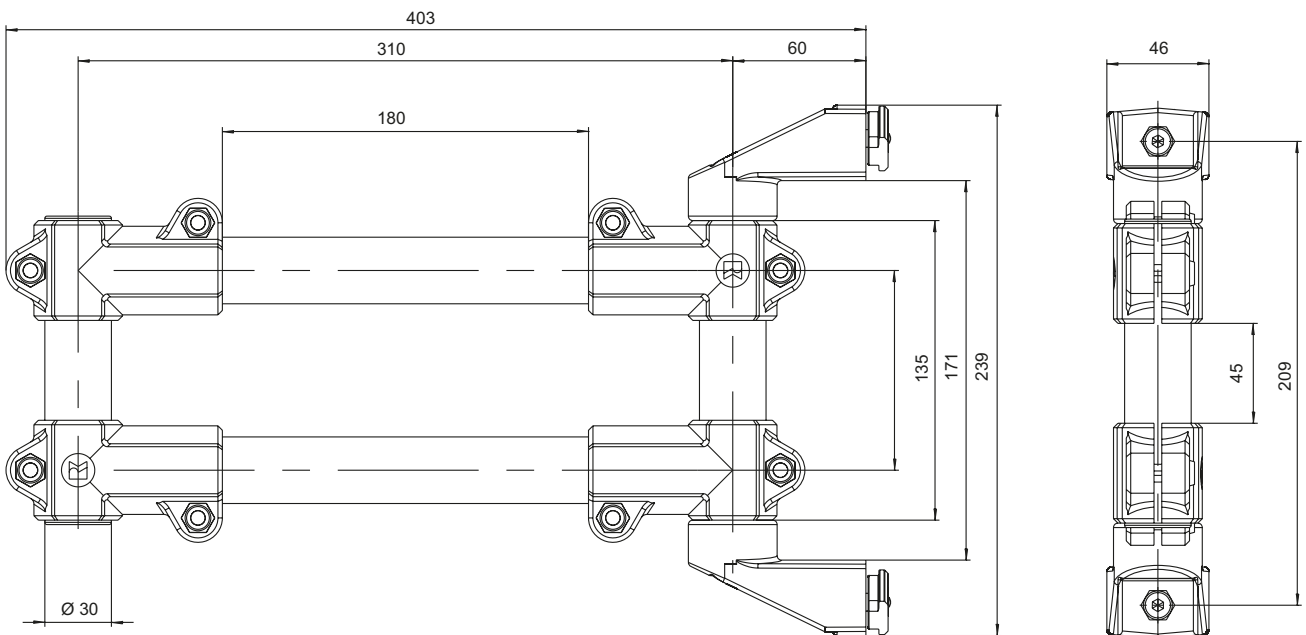
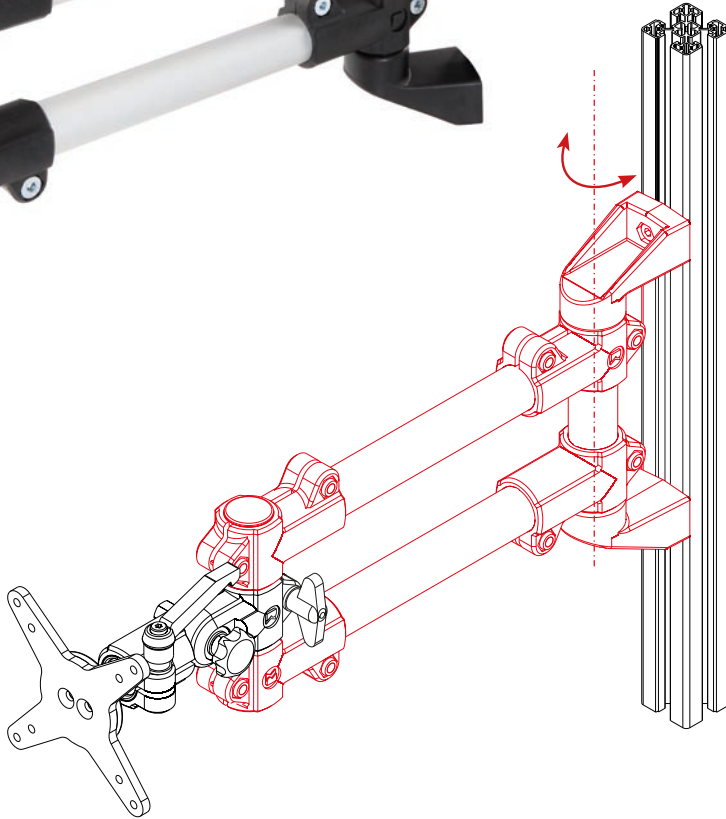
RK Monitor Mounting

Fixing

Support arm double

Includes:

Complete with fixing set for slot geometry 40



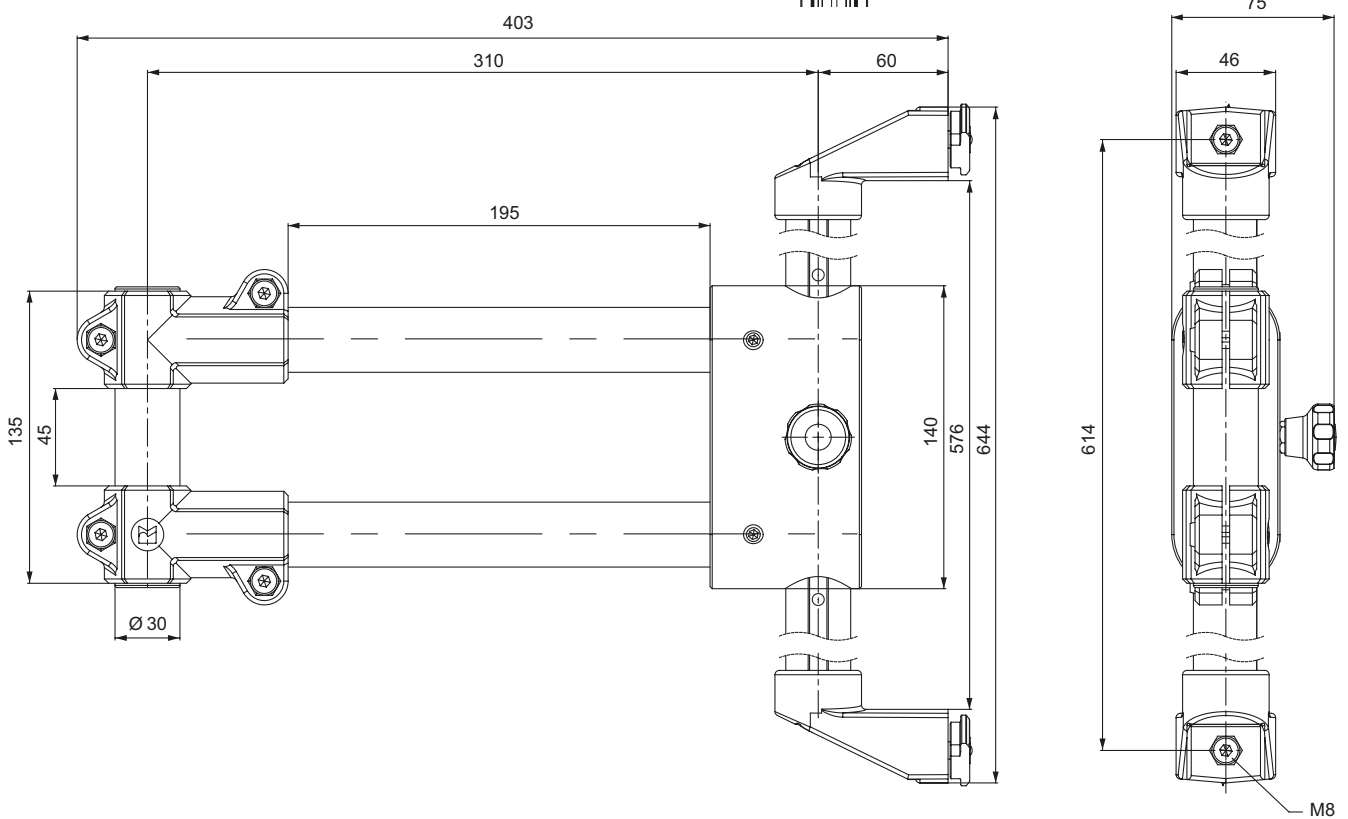
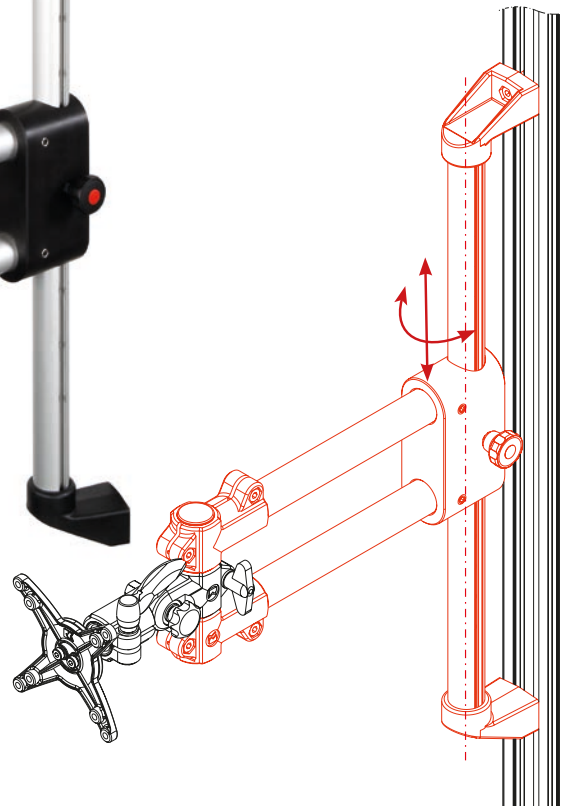
Code No.	Weight	max. load
193000028C66	1030 g	25 kg

Support arm double height adjustable



Includes:
Complete with fixing set for slot geometry 40

Features:
Travel 400mm max. (30 mm steps)
Toolless manual adjustment
Safe locking by a spring-loaded stop bolt



Code No.	Weight	max. load
193000068C66	2040 g	10 kg

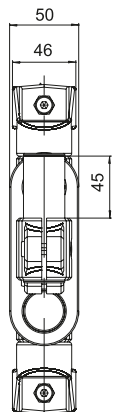
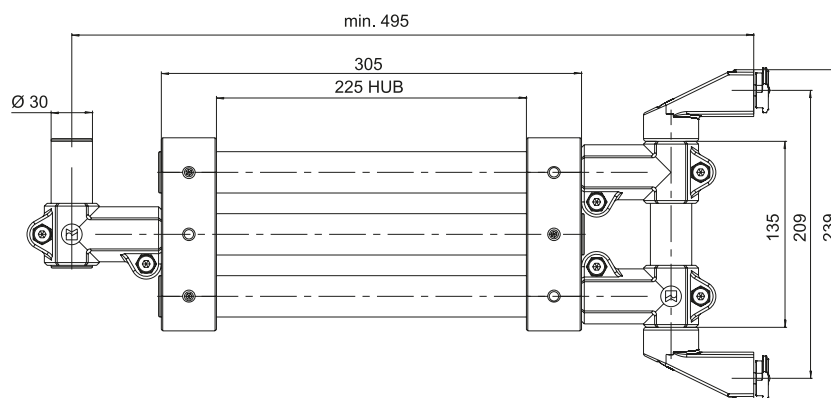
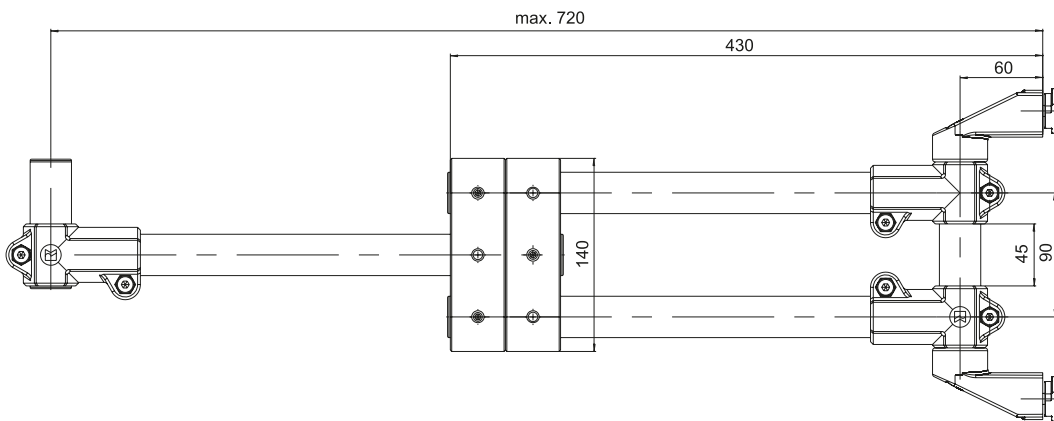
RK Monitor Mounting

Fixing

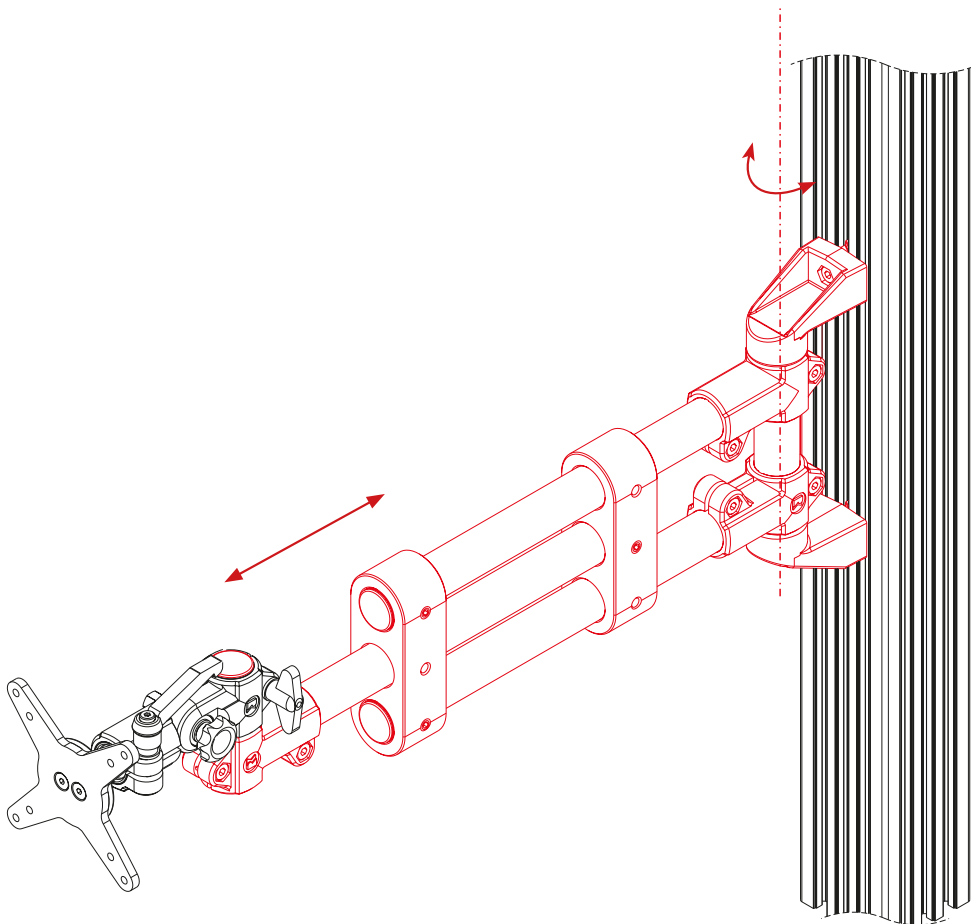
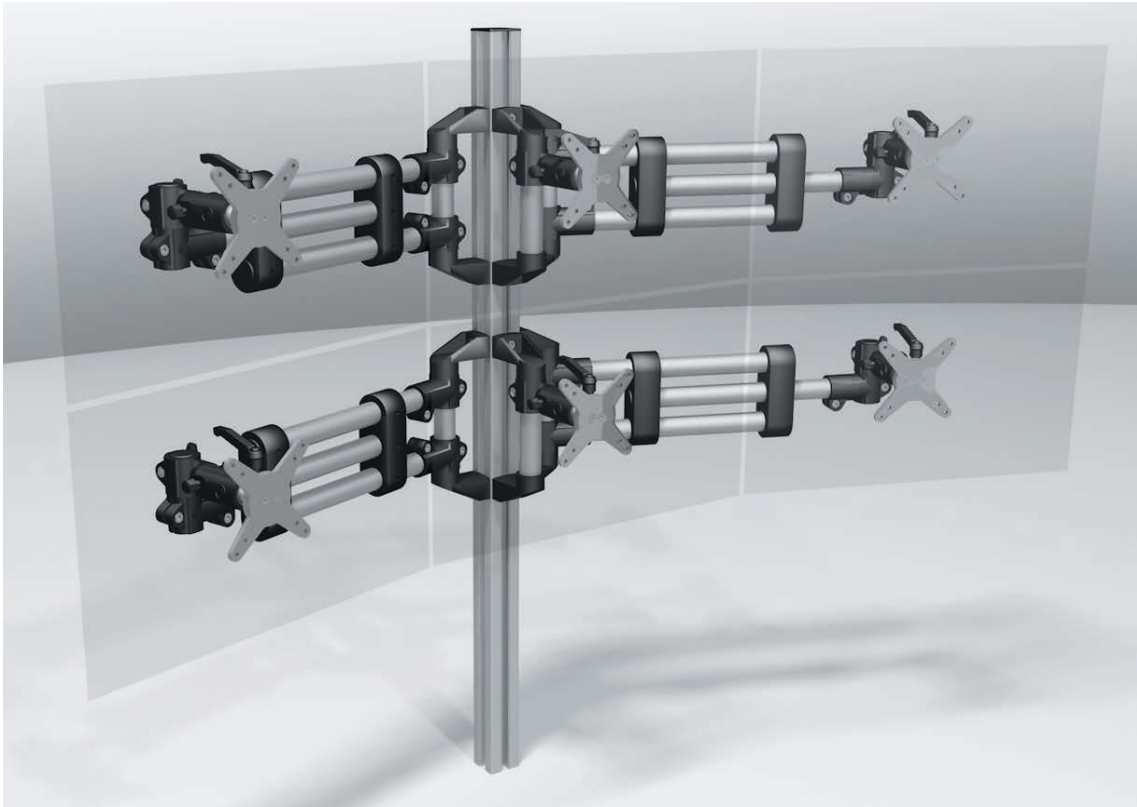
Support arm telescope

Includes:

Complete with fixing set for slot geometry 40



Code No.	Weight	max. load
193000048C66	1610 g	5 kg



RK Monitor Mounting

Fixing

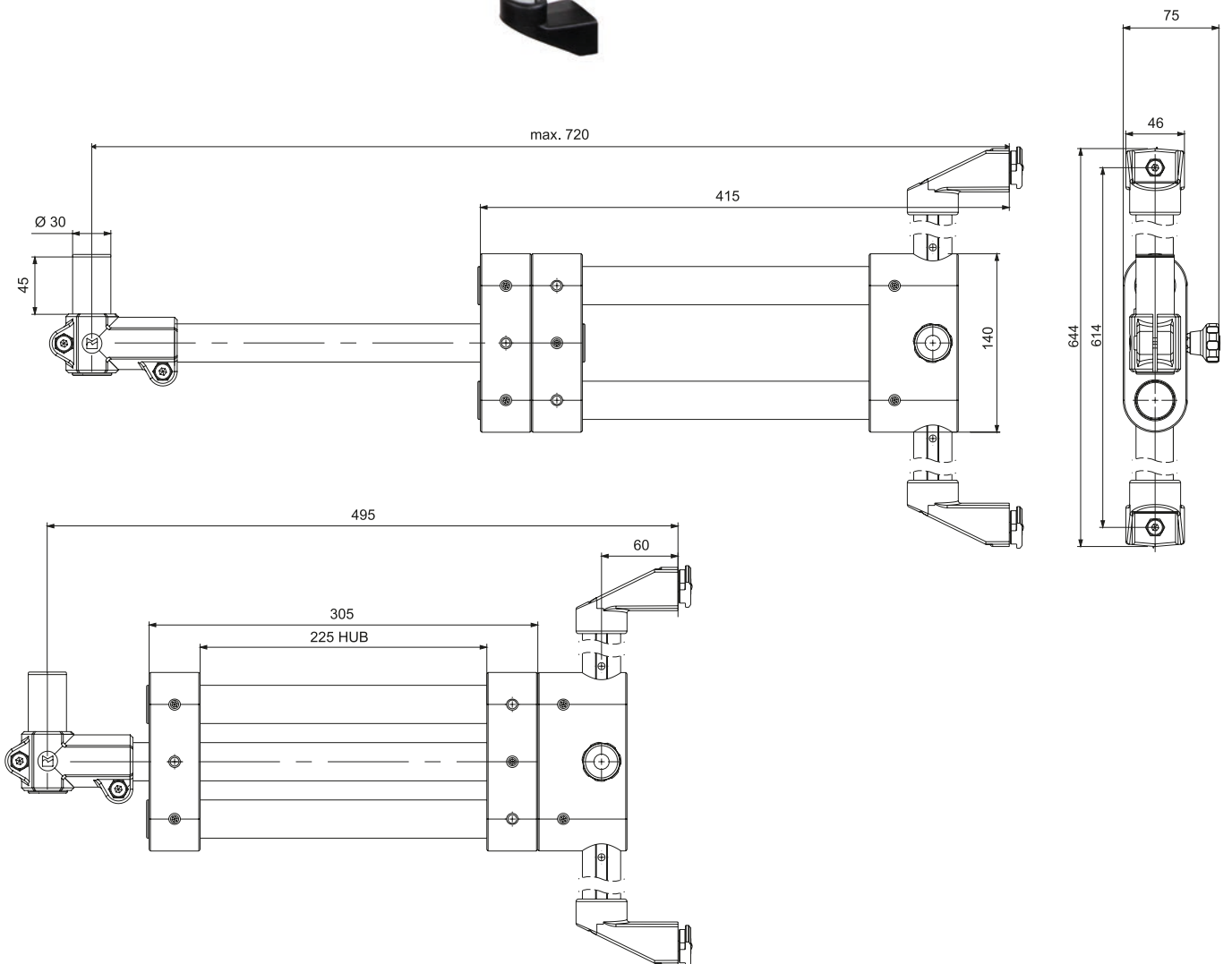
Support arm telescope
height adjustable



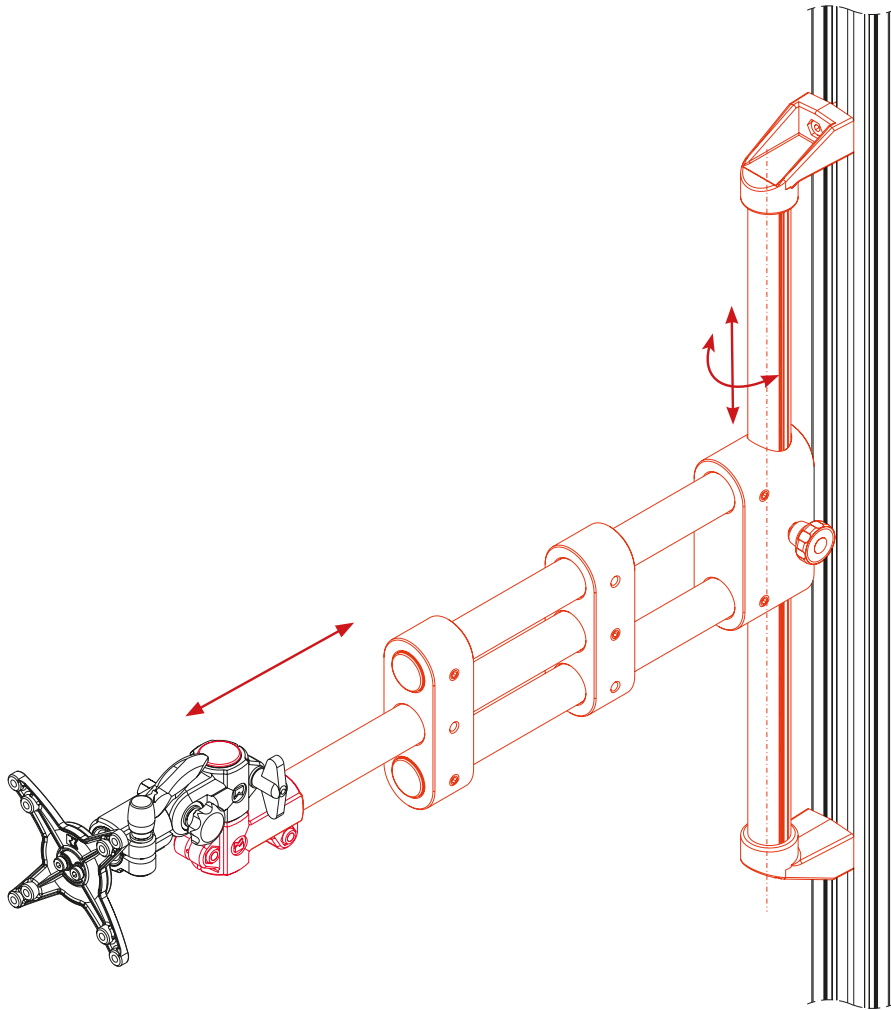
Includes:
Complete with fixing set for lot geometry 40

Features:

- Travel 400mm max. (30 mm steps)
- Toolless manual adjustment
- Safe locking by a spring-loaded stop bolt



Code No.	Weight	max. load
193000058C66	2640 g	5 kg



RK Monitor Mounting

Modules

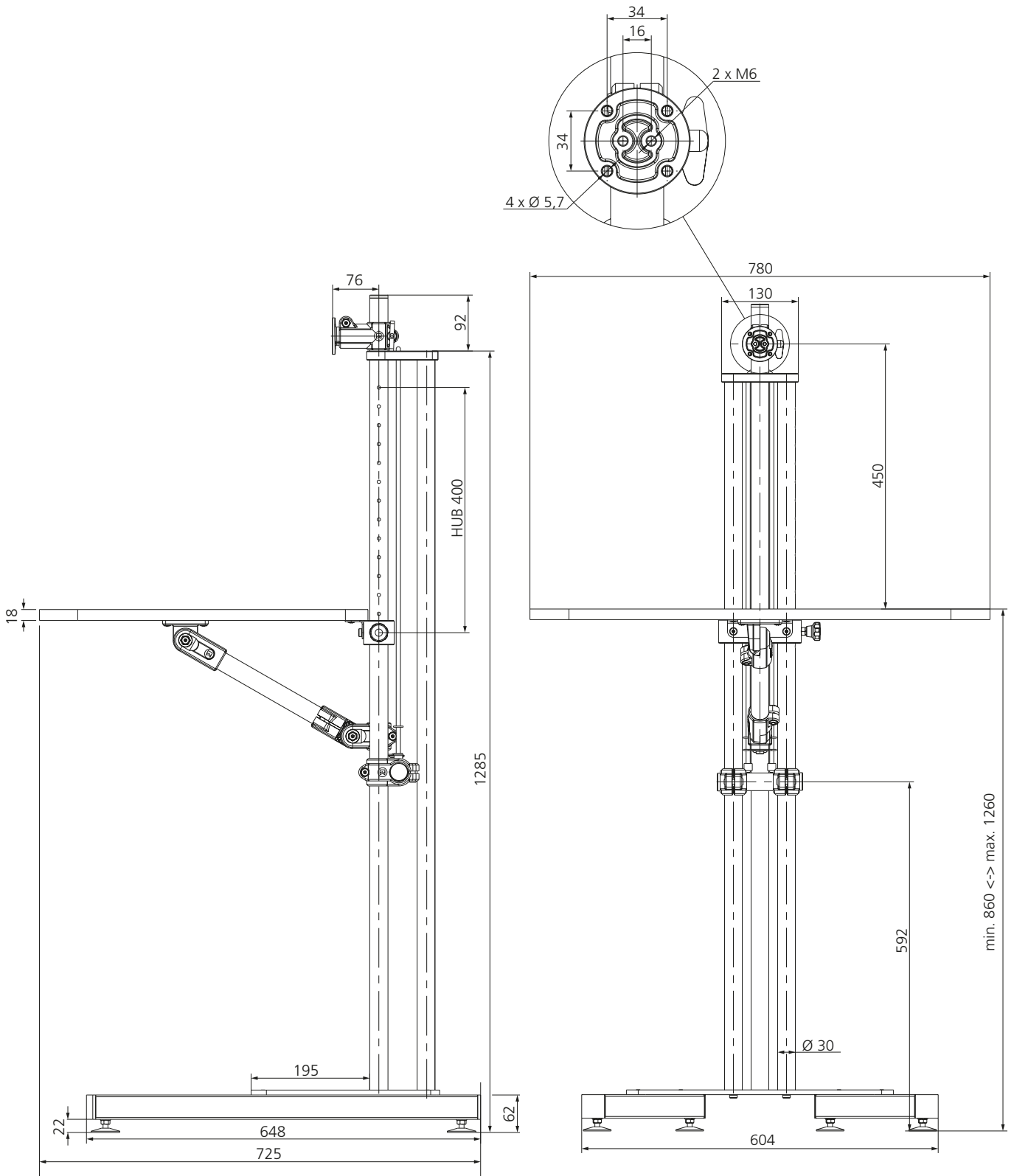
Monitor floor stand adjustable

Delivery includes: pre-assembled kit

Features:

- Travel 400mm max. (31mm steps)
- Manual adjustment without tools of the work surface with tie rod support
- Safe locking of the height adjustment by spring-loaded locking bolt
- Stable construction with adjustable feet, optionally with swivel castors (page <?>)
- Coated working surface (0,30m²)
- Integrated cable channel
- Mounting for monitor pre-assembled, optionally combinable with all RK monitor mountings

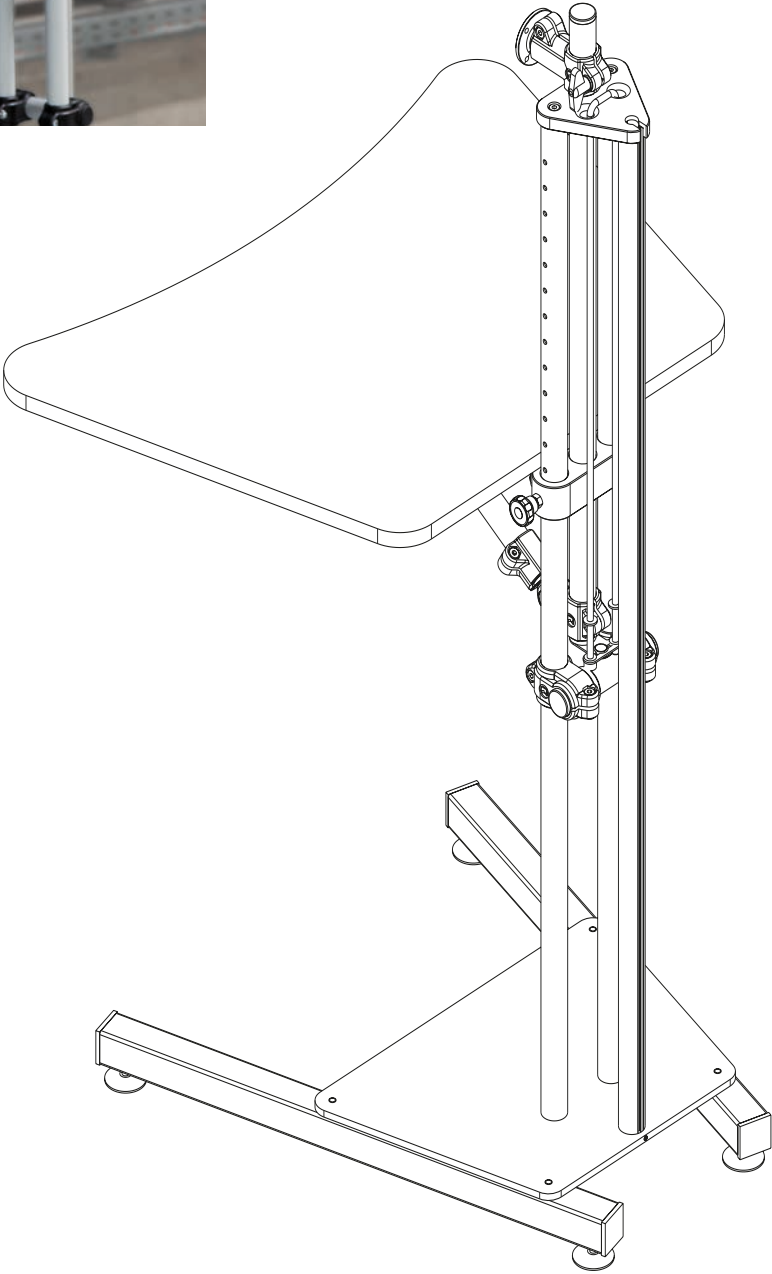




Code No.	Weight
193000078C66	22,2 kg

Modules

Monitor floor stand adjustable





Height adjustment for monitors



Cable guide



Height adjustment table top (locking bolt)



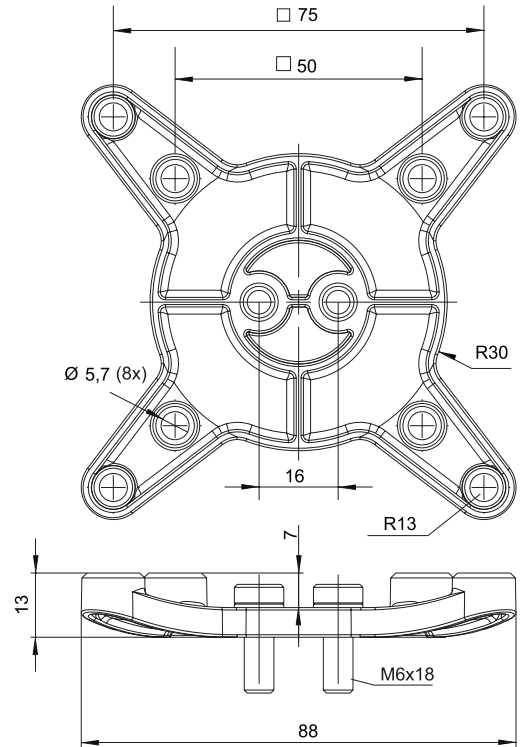
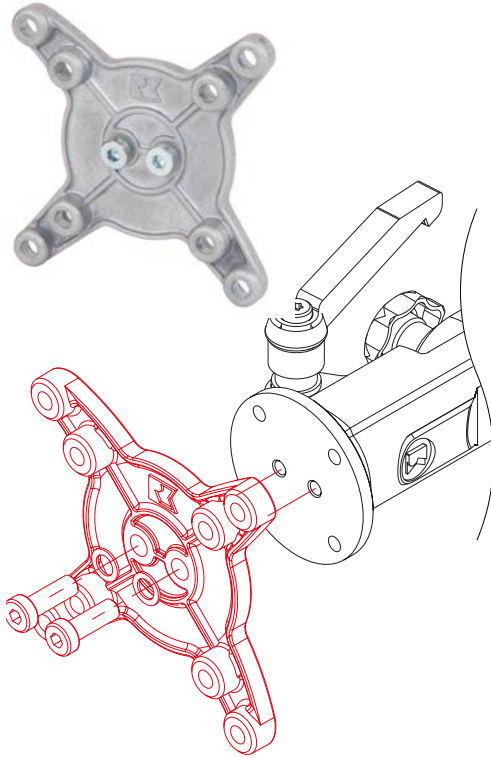
Optional: Lockable swivel castor (page 22)



Tie rod

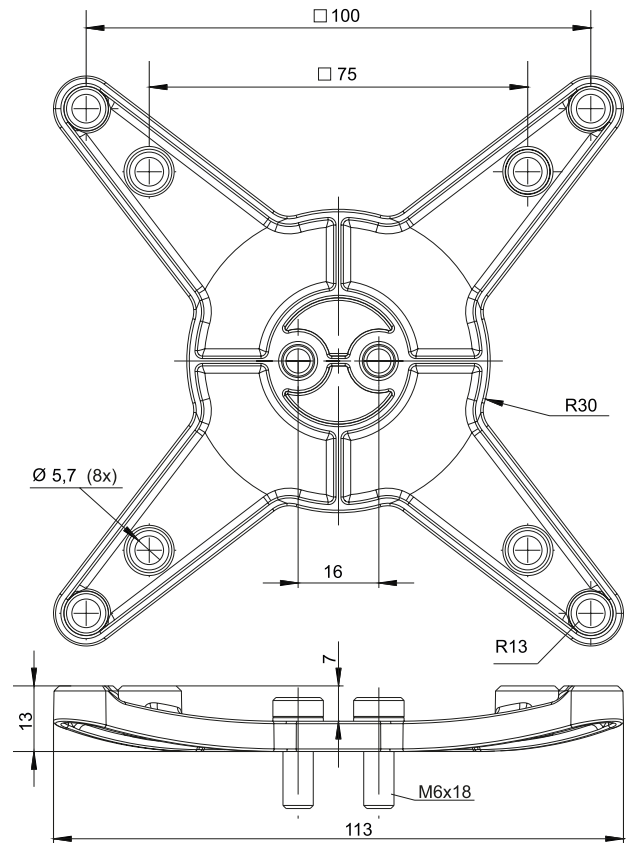
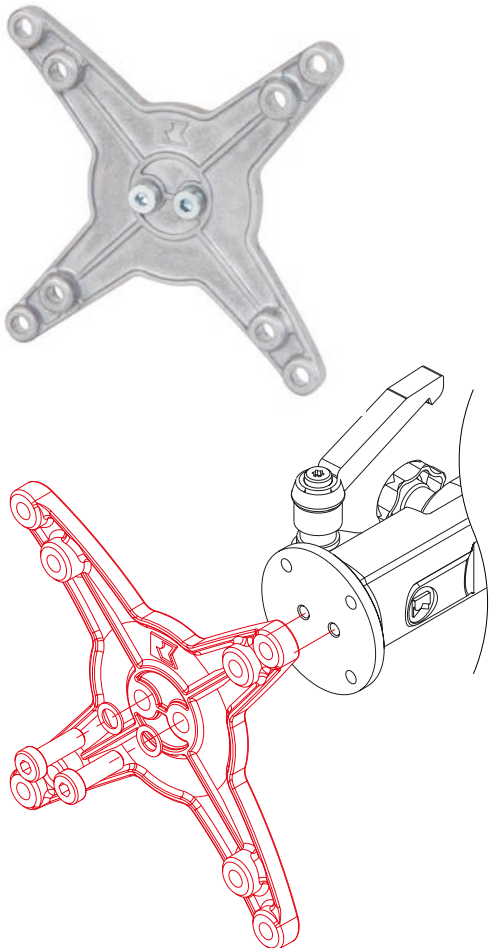
Accessories

Adaptor plate VESA 50/75



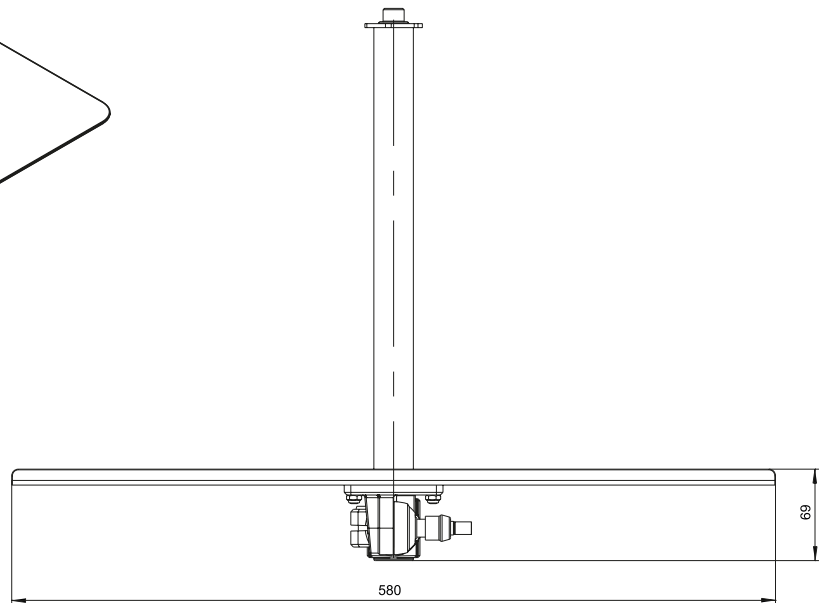
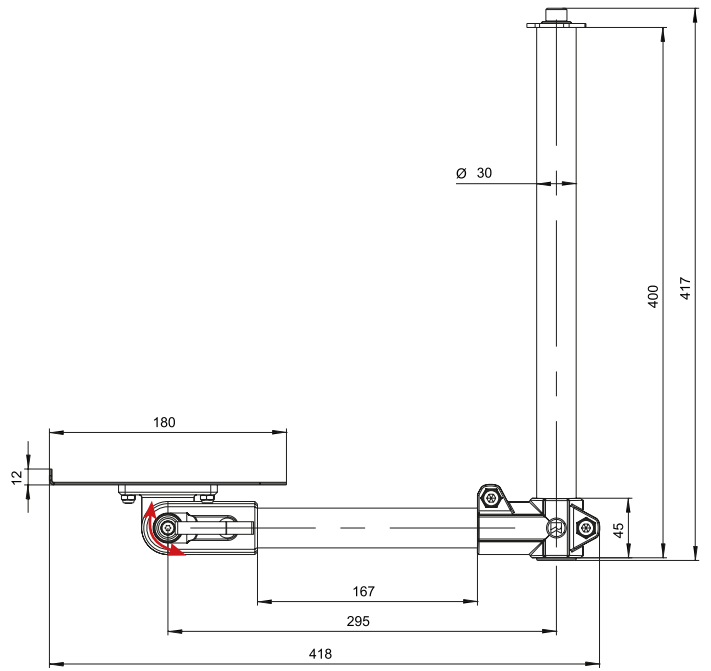
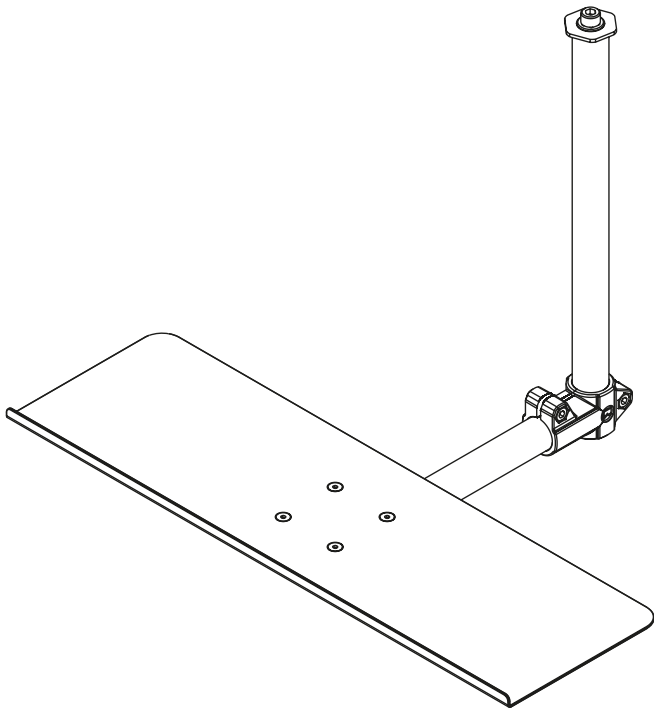
Code No.	Weight
94372	67 kg

Adaptor plate VESA 75/100



Code No.	Weight
94371	80 kg

Keyboard tray

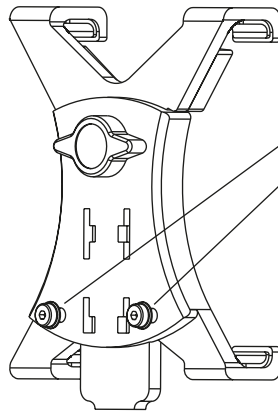


Designed for Support arm double and Support arm double height adjustable

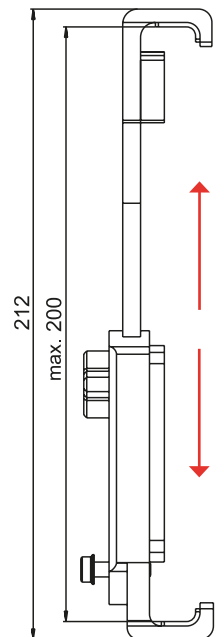
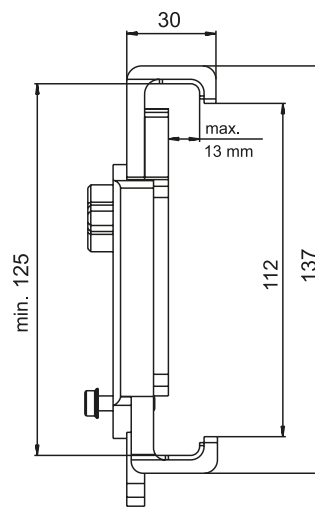
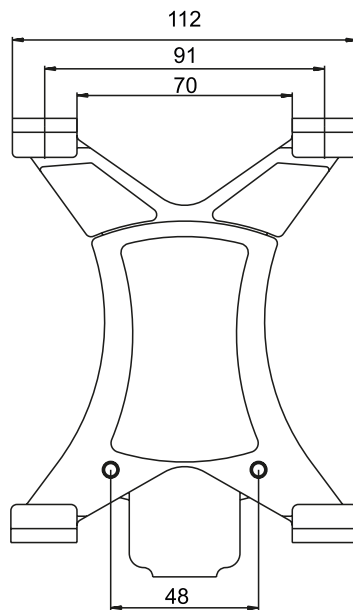
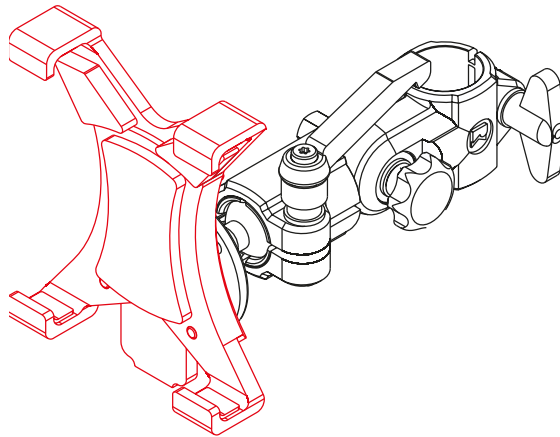
Code No.	Weight
193000038C66	2500 g

Accessories

Tablet holder



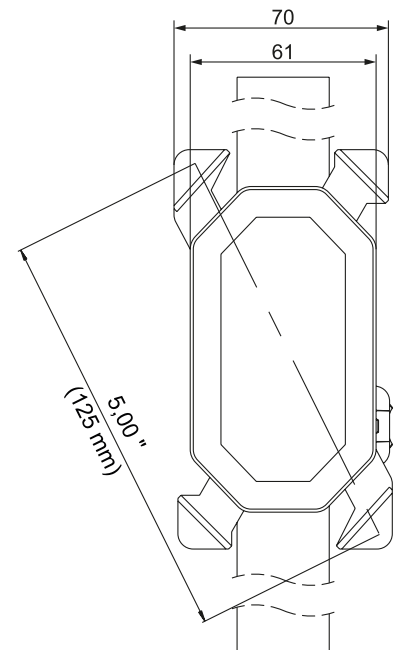
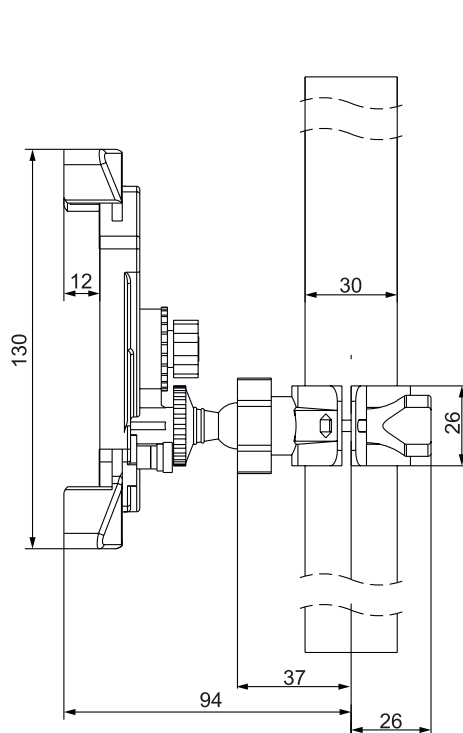
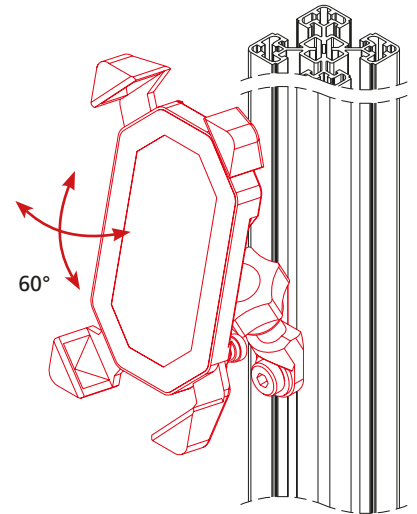
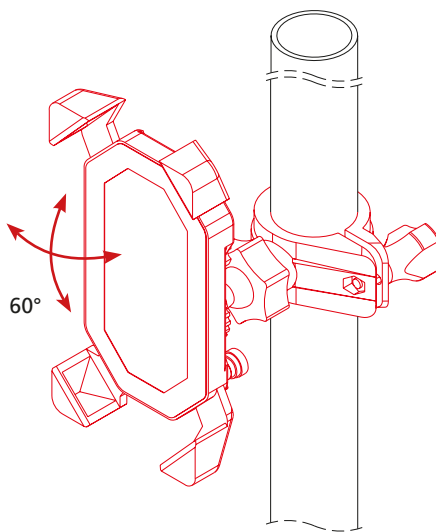
Delivery includes: fixing set for RK monitor mounting



Code No.	adjustment range
193000052C66	from 125 to 200 mm

Smartphone holder

Delivery includes:
including fastening 30 mm round tube and fastening
to RK Rose+Krieger Profile system (40 mm groove geometry)



Code No.	adjustment range
193000038C69	from 125 (5 inch) to 185 (7,25 inch) mm

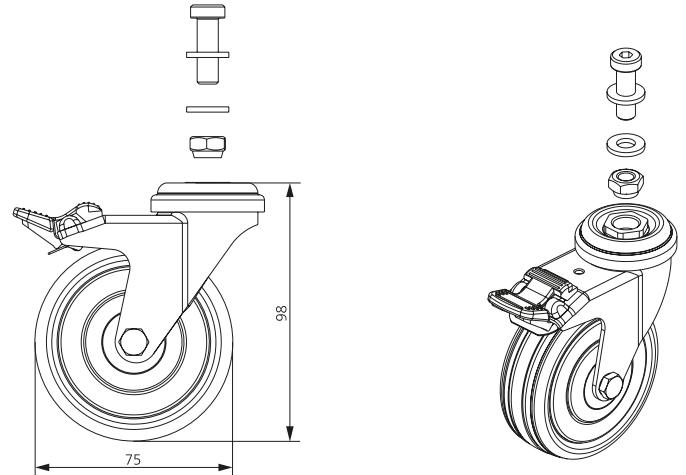
RK Monitor Mounting

Accessories

Lockable swivel castor

Material: galvanized steel

Includes: fixing set for Monitor floor stand adjustable



Code No.	Weight
90503	340 g

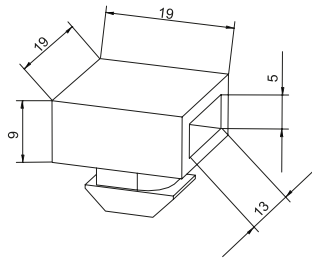
Order instruction:

- Purchase only in lot sizes and a multiple of that, see product table below

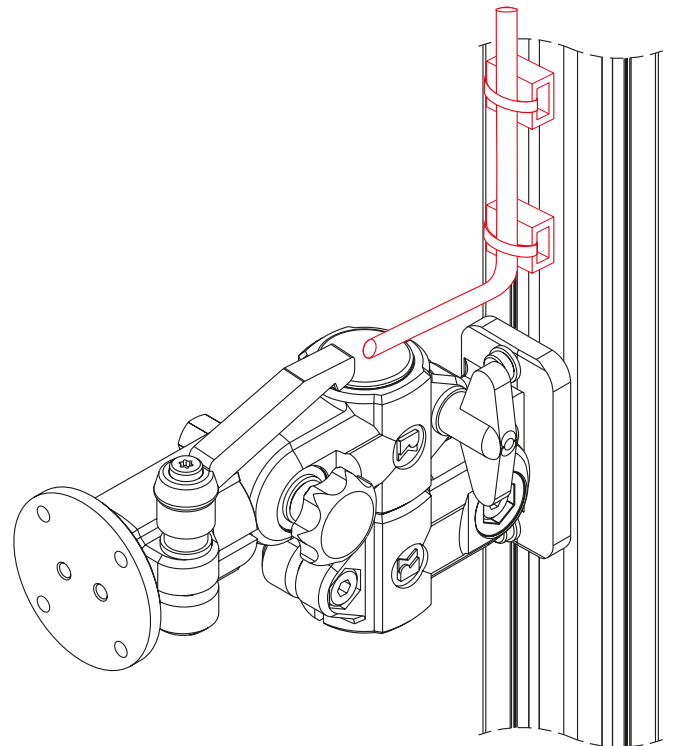
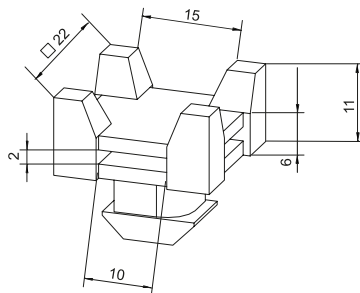
- For fixing cables and hoses
 - It is possible to insert it into the profile slot retrospectively
- Material:** Black plastic

Vario-Quick holding block K/KK

Version K



Version KK



Code No.	Version	lot sizes	Suitable for
40181251	Holding block K	10, 20, 30... piece	40 slot geometry*
40181271	Holding block KK	10, 20, 30... piece	40 slot geometry*

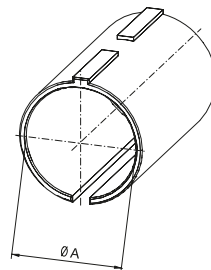
Order instruction:

- Purchase only in lot sizes and a multiple of that, see product table below

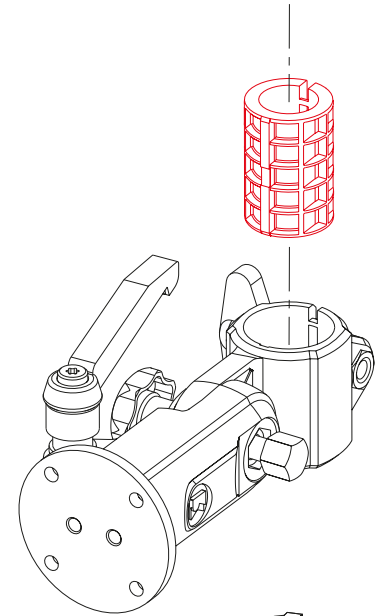
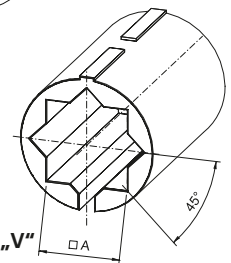
Reducing bushes for monitor mounting



Version „R“



Version „V“



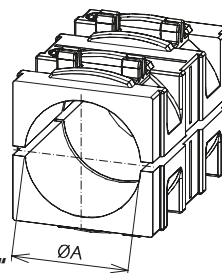
[mm]

Code No.	Version	lot sizes	A + 0,1
96204AC	R20	5, 10, 15... piece	20,25
96206AC	R25	5, 10, 15... piece	20,25
96208AC	V20	5, 10, 15... piece	20,25

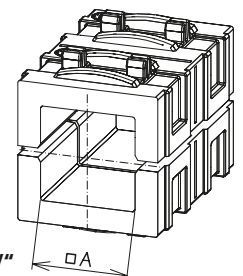
Reducing inserts for monitor mounting



Version „R“



Version „V“



[mm]

Code No.	Version	lot sizes	A
963000AC	R20	5, 10, 15... piece	20,25
963002AC	R25	5, 10, 15... piece	25,25
963004AC	R30	5, 10, 15... piece	30,25
963001AC	V20	5, 10, 15... piece	20,25
963003AC	V25	5, 10, 15... piece	25,25

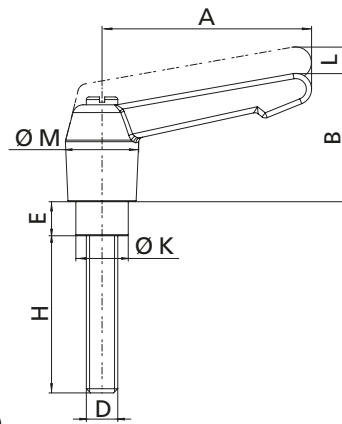
RK Monitor Mounting

Accessories

Clamping lever

- The clamping lever enables the re- adjustment of the clamping elementp. This can be done by easy exchange of the cylinder screw.
- By lifting the grip, the free movement of the serration toothing enables the clamping lever to wing into the desired position. The grip moves into its original position when released.

Material: Grip made of polyamide black, screws -stainless steel



(Symbolic representation)

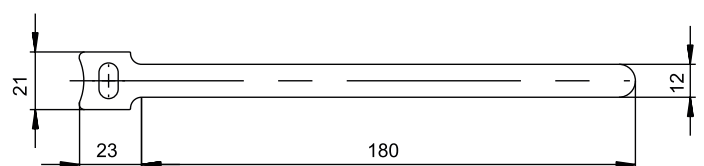
[mm]

Code No.	Type	A	B	D	E	H	K	L	M
902381	20-30	65	35	M8	14	25	13	4	19,5

Order instruction:

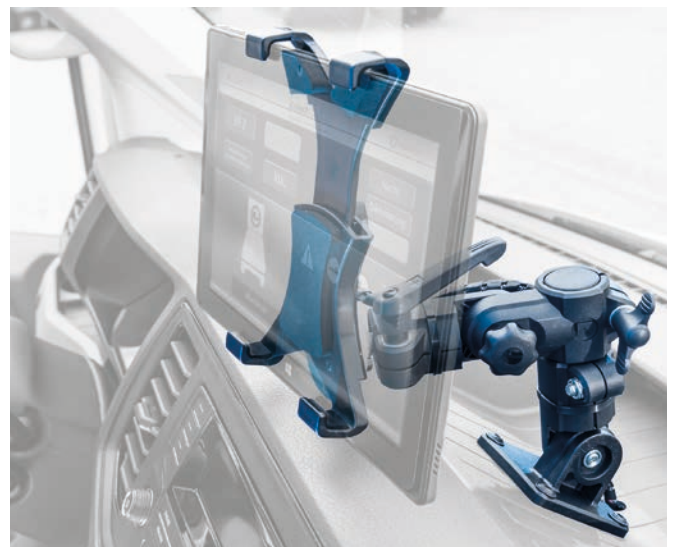
- Purchase only in pack quantities, see catalogue

Cable straps with velcro



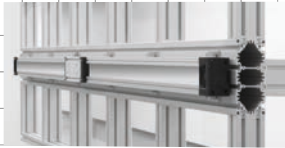
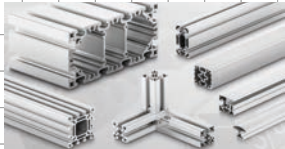
Code No.	Scale of pack quantities
91815	5, 10, 15... piece

Applications



Sketches / Notes

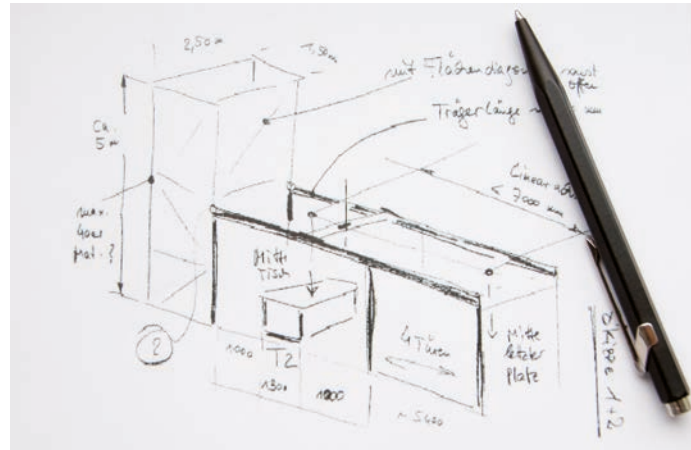
The main area of the page is a large grid for technical sketches and notes. In the bottom-left corner of the grid, there is a small icon consisting of three arrows: one pointing vertically upwards, one pointing horizontally to the right, and one pointing diagonally upwards and to the right, indicating a 3D coordinate system.



What we can do for you

Do you need to focus your resources on other tasks and are you looking for a competent partner you can rely on? Working in close collaboration with you, our specialists will develop solutions tailor-made to meet your needs. If you wish, we can also assemble and commission the units on site.

Just make a sketch of your requirements



Our product specialists will devise a solution for you



We can deliver your turnkey solution or assemble and commission it for you on site





RK ROSE+KRIEGER

A Phoenix Mecano Company

RK Rose+Krieger GmbH
Connecting and positioning systems
Potsdamer Straße 9
32423 Minden, Germany
Telefon +49 571 93 35-0
Telefax +49 571 93 35-119
info@rk-online.de
www.rk-rose-krieger.com



Brochure PDF file
to download

EN 1.000 Flyeralarm MAR 10 10 15 0005 08/2020 Printed in Germany