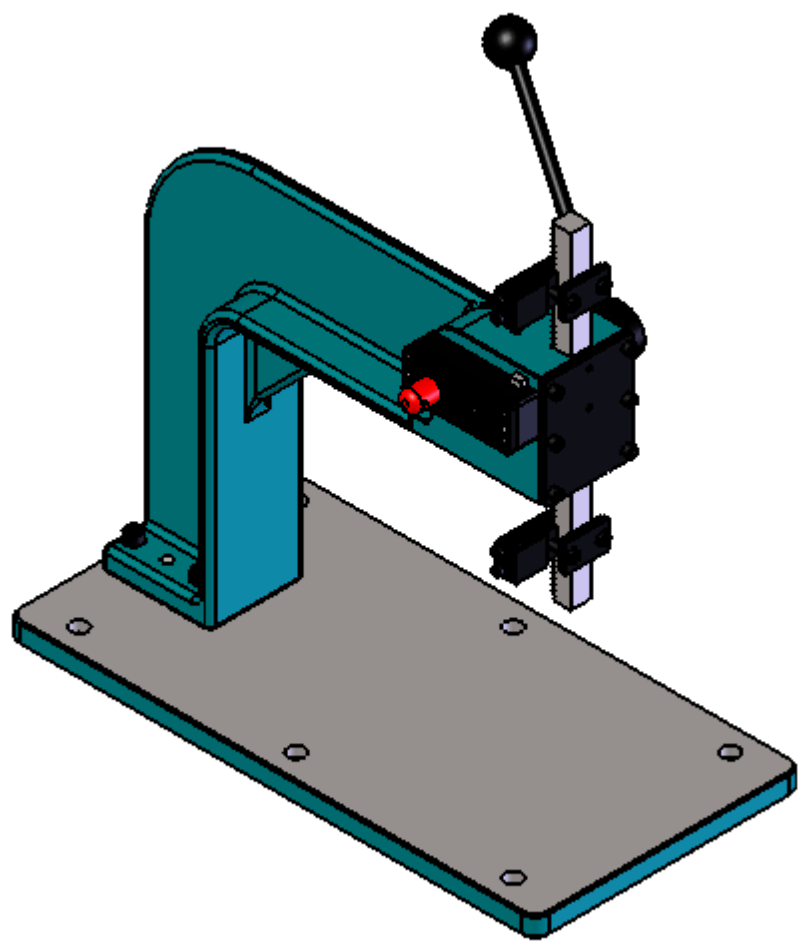
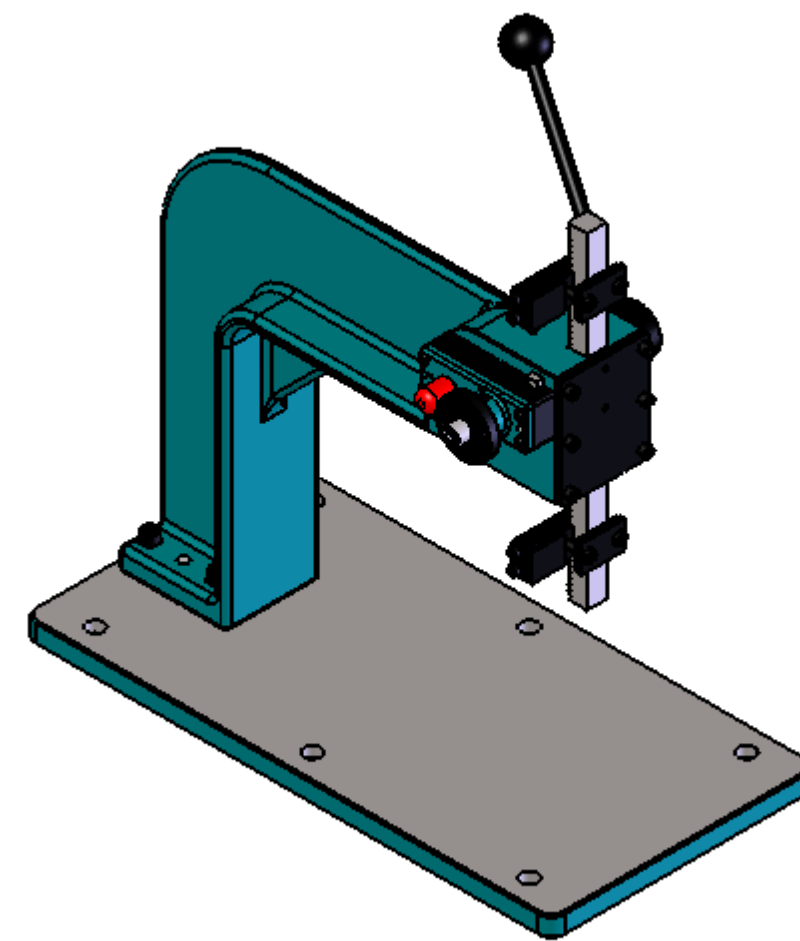


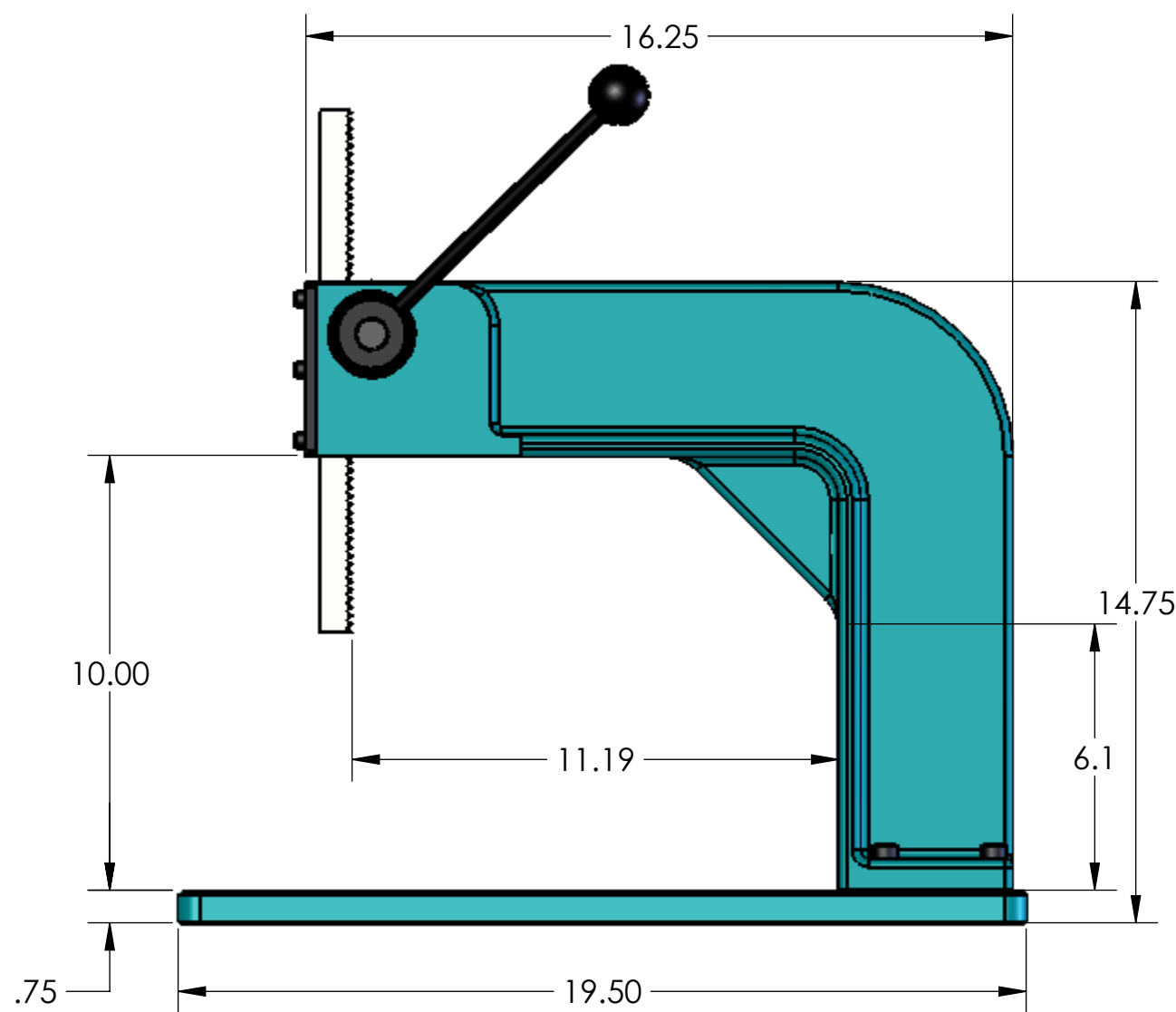
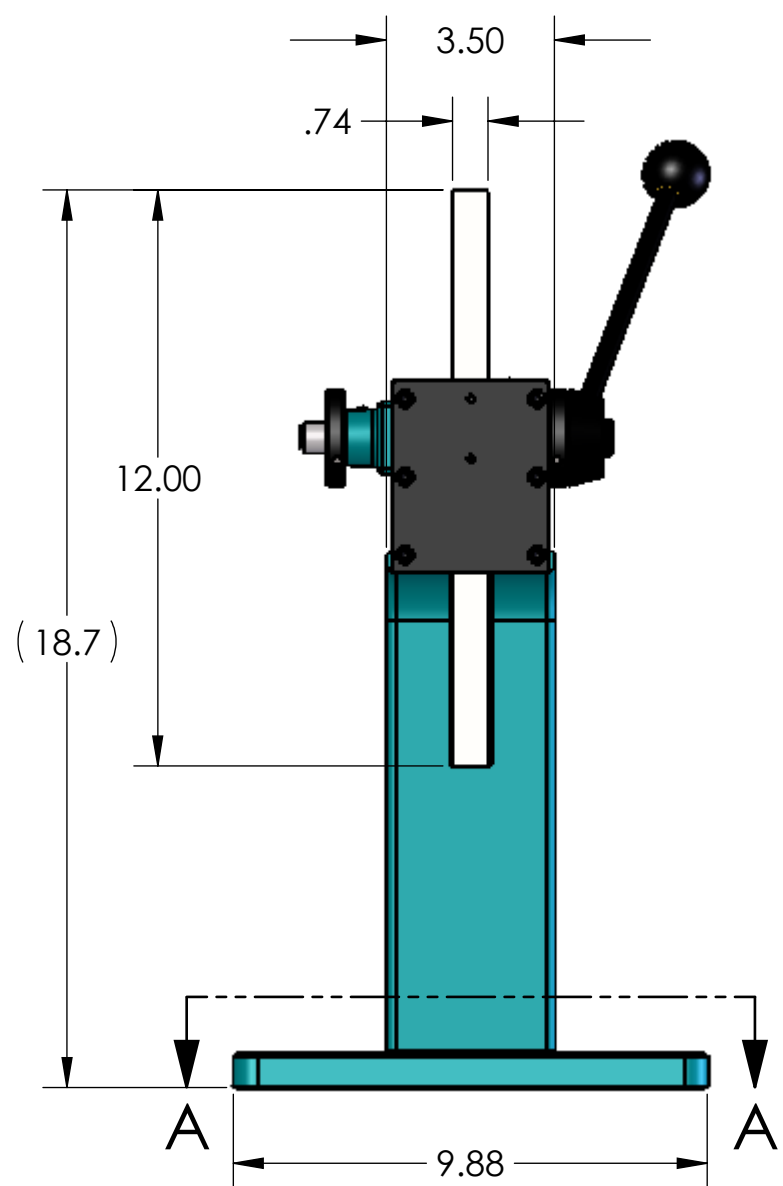
DT-6000-AH



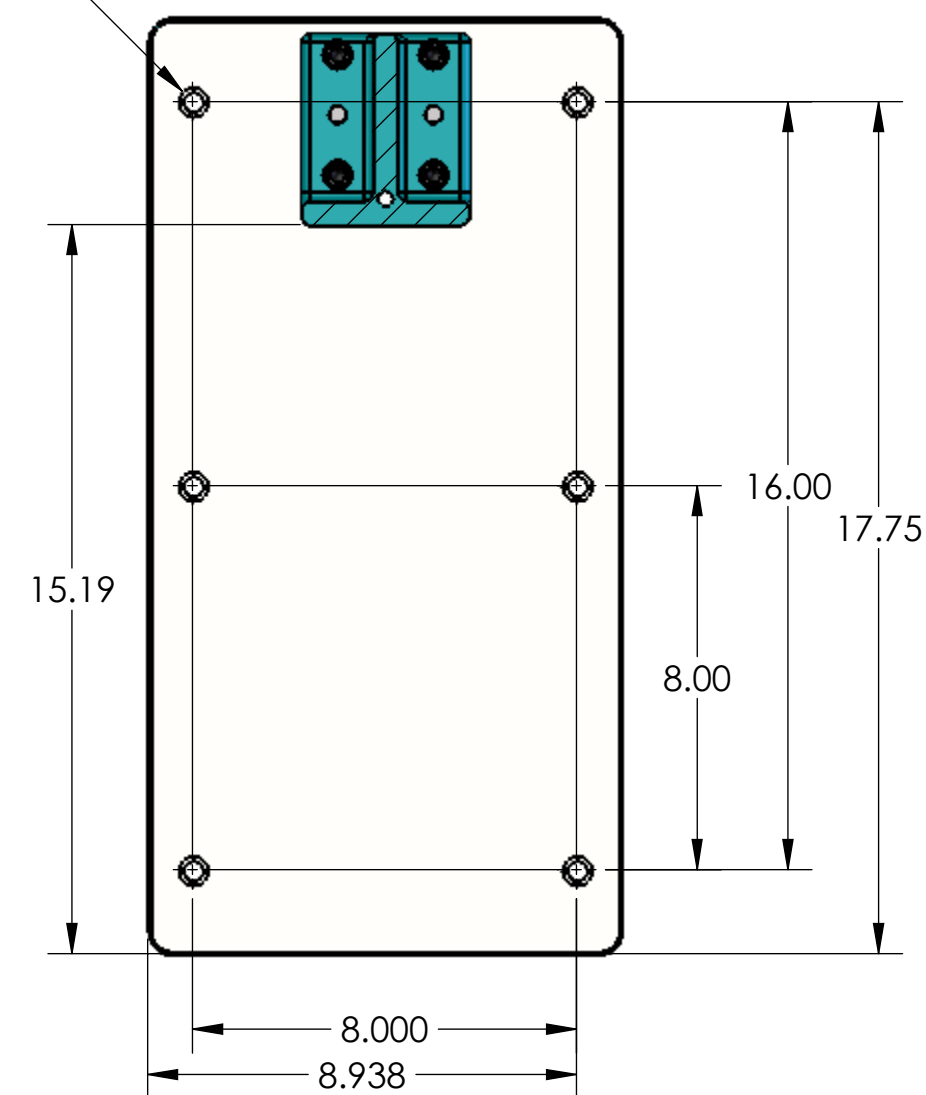
DT-6000-FS



DT-6000-AH-FS



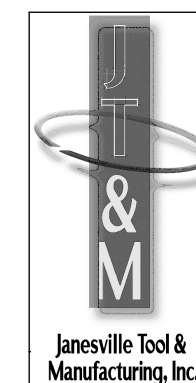
6X ϕ .406 THRU
 \square ϕ .61 ∇ .40



SECTION A-A
 SCALE 1 : 4

NOTES:

1. AH MODELS ARE INDEXABLE @ 15° INCREMENTS
2. ϕ .159 ∇ .75 #10-32 ∇ .50 HOLE ON BOTTOM OF RAM
3. ADJUSTABLE HEAD HEIGHT WITH ADDITION OF OPTIONAL RISER BLOCK
4. HANDLE IS ϕ 3/8" X 6.0 LG



Janesville Tool & Manufacturing Inc.
 3930 Enterprise Drive
 Janesville, WI 53546
 Phone: 608-314-1620, Fax 608-314-1625

TITLE:
 DT-6000 PRESS ASSEMBLY

SIZE	DWG. NO.	REV
C	DT-6000-AH	

SCALE: 1:8	WEIGHT: 77.72	SHEET 1 OF 1
------------	---------------	--------------