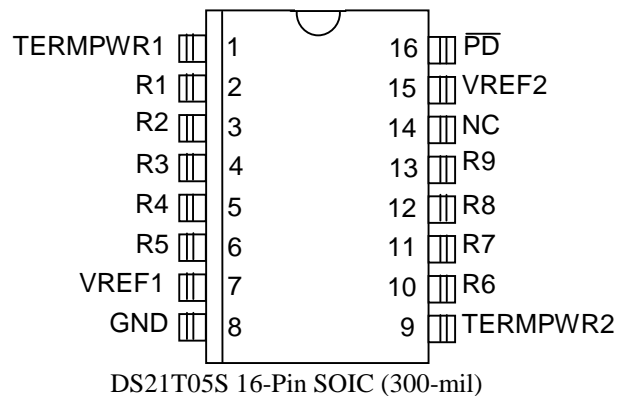
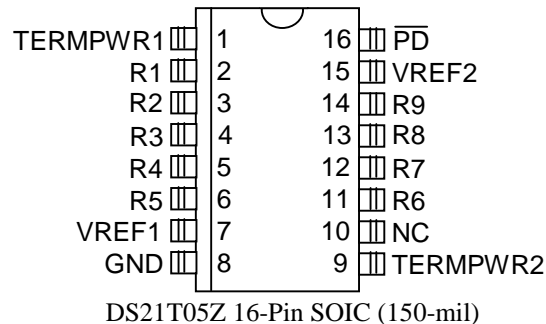


FEATURES

- Fully compliant with SCSI-1, Fast SCSI and Ultra SCSI
- Functionally compatible to the DS21T07, targeted for high volume applications
- Provides active termination for nine signal lines
- Laser-trimmed 110-ohm termination resistors have 5% tolerance
- Low dropout voltage
- Power-down mode isolates termination resistors from the bus
- SCSI bus hot-plug compatible
- Fully supports actively negated SCSI signals
- Onboard thermal shutdown circuitry
- 16-pin plastic narrow SOIC

PIN ASSIGNMENT



DESCRIPTION

Fast SCSI and Ultra SCSI require the use of active terminations at both ends of every cable segment in a SCSI system with single-ended drivers and receivers. The DS21T05 SCSI Terminator, which is fully compliant with these standards, enables the designer to gain the benefits of active termination: greater immunity to voltage drops on the TERMPWR (TERMINation PoWeR) line, enhanced high-level noise immunity, intrinsic TERMPWR decoupling, and very low quiescent current consumption. The DS21T05, which integrates a regulator and nine precise-switched, 110-ohm termination resistors into a monolithic IC, is a functionally compatible version of the DS21T07. With relaxed output current and termination tolerances, the DS21T05 is intended for high volume applications which require active termination but not the high performance of the DS21T07.

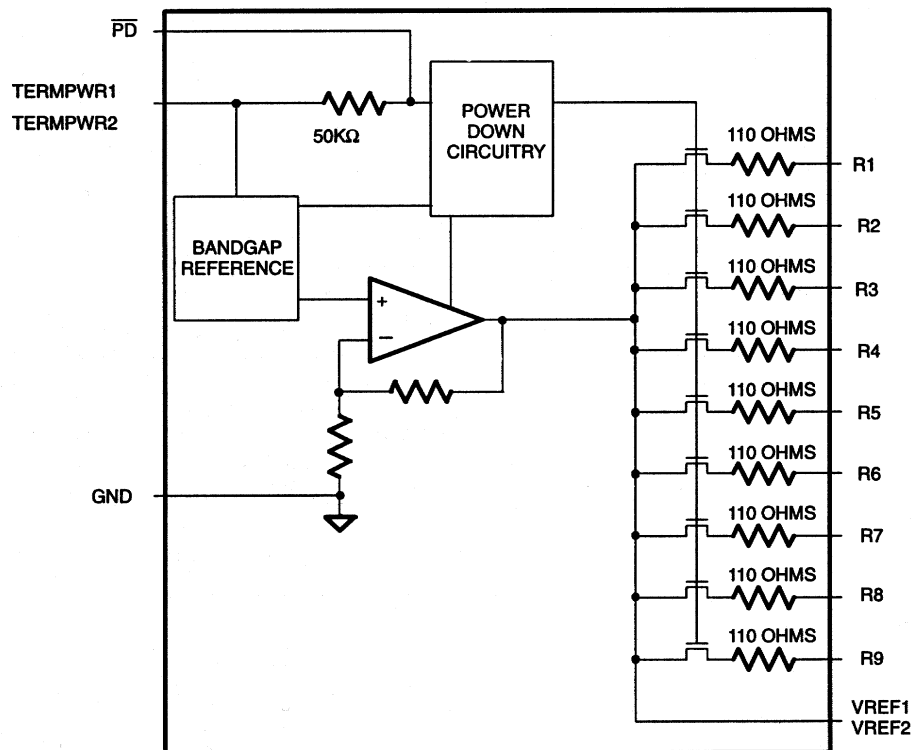
FUNCTIONAL DESCRIPTION

The DS21T05 consists of a bandgap reference, buffer amplifier, and nine termination resistors (Figure 1). The bandgap reference circuit produces a precise 2.55V level which is fed to a buffer amplifier. The buffer produces a 2.85V level and is capable of sourcing at least 24 mA into each of the termination resistors when the signal line is low (active). When the driver for a given signal line turns off, the terminator will pull the signal line to 2.85V (quiescent state). To handle actively negated SCSI signals,

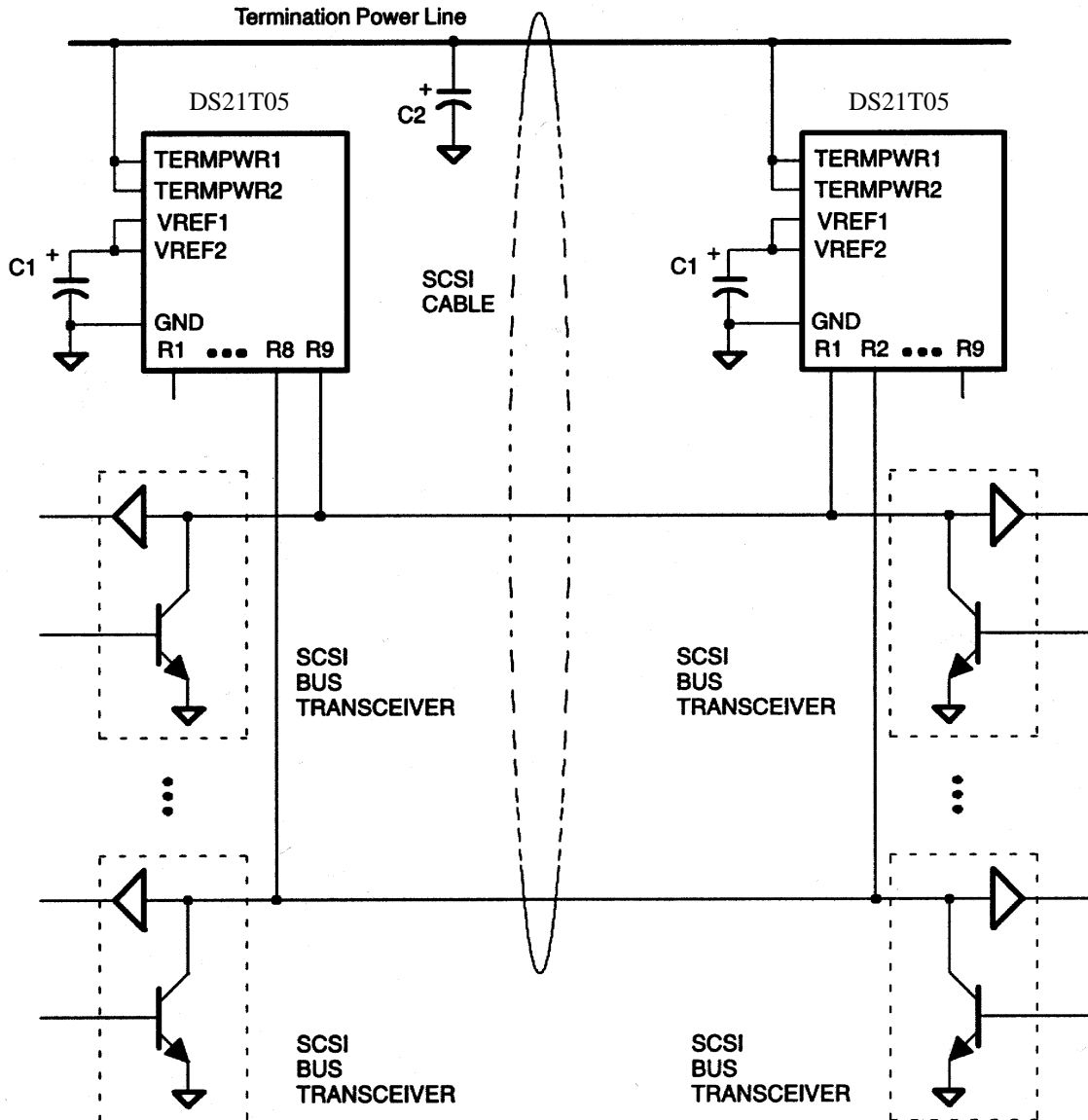
the buffer can sink 200 mA, and V_{REF} will move less than 60 mV. When all lines settle in the quiescent state, the regulator will consume about 5 mA. When the DS21T05 is put into power-down mode by bringing \overline{PD} low, the power-down circuitry will turn off the transistors on each signal line. This will isolate the DS21T05 from the signal lines and effectively remove it from the circuit. The power-down pin (\overline{PD}) has an internal 50 k Ω pullup resistor. To place the DS21T05 into an active state, the \overline{PD} pin should be left open circuited. When installed on disk drives or RAID system components, the DS21T05 will not affect the SCSI bus during a hot plug operation.

To ensure proper operation, both the TERMPWR1 and TERMPWR2 pins must be connected to the SCSI bus TERMPWR line and both the VREF1 and VREF2 pins must be tied together externally. Each DS21T05 requires a 4.7 μ F capacitor connected between the VREF pins and ground. Figure 2 details a typical SCSI bus configuration. In an 8-bit wide SCSI bus arrangement, two DS21T05s would be needed at each end of the SCSI cable in order to terminate the 18 active signal lines. In a 16-bit wide SCSI bus arrangement, three DS21T05's would be needed at each end of the SCSI cable in order to terminate the 27 active signal lines.

DS21T05 BLOCK DIAGRAM Figure 1



TYPICAL SCSI BUS CONFIGURATION Figure 2



NOTES:

1. C1 = 4.7 μF tantalum
C2 = 2.2 μF tantalum or 4.7 μF aluminum
2. If the DS21T05 is to be embedded into a peripheral that will act as a target on a SCSI bus, it is recommended that TERMPWR be derived from the SCSI cable, not generated locally. In this configuration, if a power failure occurs in the peripheral, it will not affect the bus.
3. A high frequency bypass capacitor (0.1 μF recommended) can be added in parallel to C1 for applications using fast rise/fall time drivers.

PIN DESCRIPTION Table 1

DS21T05Z PIN	SYMBOL	DESCRIPTION
1	TERMPWR1	Termination Power 1. Should be connected to the SCSI TERMPWR line. Must be decoupled with either a 2.2 μ F or 4.7 μ F. See Figure 2.
2	R1	Signal Termination 1. 110-ohm termination.
3	R2	Signal Termination 2. 110-ohm termination.
4	R3	Signal Termination 3. 110-ohm termination.
5	R4	Signal Termination 4. 110-ohm termination.
6	R5	Signal Termination 5. 110-ohm termination.
7	VREF1	Reference Voltage 1. Must be externally connected directly to the VREF2 pin. Must be decoupled with a 4.7 μ F capacitor as shown in Figure 2.
8	GND	Ground. Signal ground; 0.0V.
9	TERMPWR2	Termination Power 2. Should be connected to the SCSI TERMPWR line. Must be decoupled with either a 2.2 μ F or 4.7 μ F. See Figure 2.
10	NC	No Connect. Do not connect any signal to this pin.
11	R6	Signal Termination 6. 110-ohm termination.
12	R7	Signal Termination 7. 110-ohm termination.
13	R8	Signal Termination 8. 110-ohm termination.
14	R9	Signal Termination 9. 110-ohm termination.
15	VREF2	Reference Voltage 2. Must be externally connected directly to the VREF1 pin. Must be decoupled with a 4.7 μ F capacitor as shown in Figure 2.
16	$\overline{\text{PD}}$	Power Down. When tied low, the DS21T05 enters a power-down mode. Contains an internal 50K pull-up. Strap low to deactivate the DS21T05, leave open circuited to activate the DS21T05.

ABSOLUTE MAXIMUM RATINGS*

Voltage on Any Pin Relative to Ground	-1.0V to +7.0V
Operating Temperature	0°C to 70°C
Storage Temperature	-55°C to +125°C
Soldering Temperature	260°C for 10 seconds

* This is a stress rating only and functional operation of the device at these or any other conditions above those indicated in the operation sections of this specification is not implied. Exposure to absolute maximum rating conditions for extended periods of time may affect reliability.

The Dallas Semiconductor DS21T05 is built to the highest quality standards and manufactured for long term reliability. All Dallas Semiconductor devices are made using the same quality materials and manufacturing methods. However, the DS21T05 is not exposed to environmental stresses, such as burn-in, that some industrial applications require. For specific reliability information on this product, please contact the factory in Dallas at (972) 371-4448.

RECOMMENDED OPERATING CONDITIONS (0°C to 70°C)

PARAMETER	SYM	MIN	TYP	MAX	UNITS	NOTES
TERMPWR Voltage	V _{TP}	4.00		5.50	V	
PD Active	V _{PD A}	-0.3		+0.8	V	
PD Inactive	V _{PD I}	2.0		V _{TP} + 0.3	V	

DC CHARACTERISTICS (0°C to 70°C)

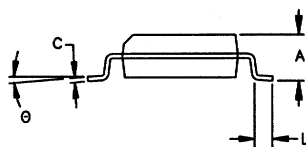
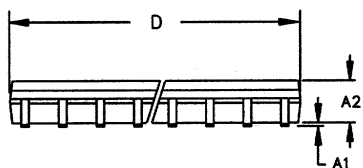
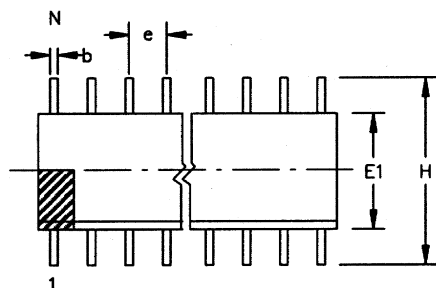
PARAMETER	SYMBOL	MIN	TYP	MAX	UNITS	NOTES
TERMPWR Current	I _{TP}			250	mA	1, 3
	I _{TP}		5	8	mA	1, 4
Power-Down Current	I _{PD}		500		μA	1, 2, 5
Termination Resistance	R _{TERM}	107.5	110	119.5	ohm	1, 2
Die Thermal Shutdown	T _{SD}	150			°C	1, 6
Power Down Termination Capacitance	C _{PD}			3.0	pF	1, 2, 5, 6
Input Leakage High	I _{IH}	-1.0			μA	1, 8
Input Leakage Low	I _{IL}			1.0	μA	1, 7

REGULATOR CHARACTERISTICS (0°C to 70°C)

PARAMETER	SYMBOL	MIN	TYP	MAX	UNITS	NOTES
Output Voltage	V _{REF}	2.7	2.85	3.1	V	1, 2
Drop Out Voltage	V _{DROP}		0.75	1.0	V	3, 6
Output Current	I _{OUT}			25.2	mA	9
Line Regulation	L _{REG}		1.0	2.0	%	1, 4
Load Regulation	L _{OREG}		1.3	3.0	%	1, 2
Current Limit	I _{LIM}		350		mA	1
Sink Current	I _{SINK}	200			mA	1

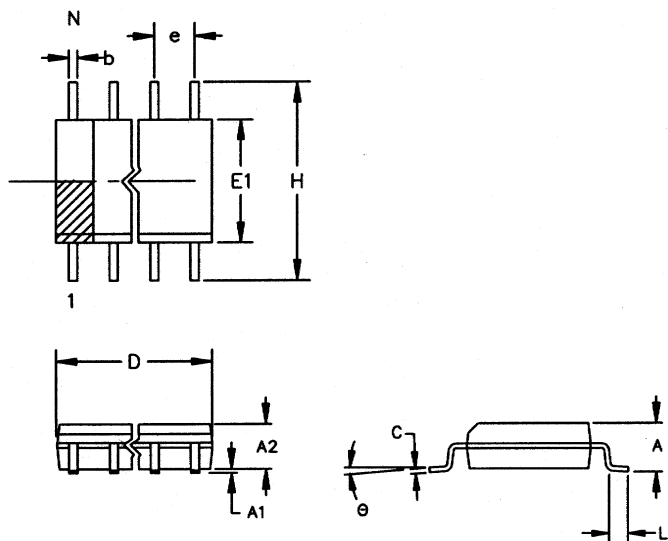
NOTES:

1. $4.00V < \text{TERMPWR} < 5.50V$.
2. $0.0V < \text{signal lines} < 3.0V$.
3. All signal lines = $0.0V$.
4. All signal lines open.
5. $\overline{\text{PD}} = 0.0V$.
6. Guaranteed by design; not production tested.
7. R_1 through R_9 only.
8. R_1 through R_9 and $\overline{\text{PD}}$.
9. $V_{\text{SIGNAL}} = 0.2V$.

DS21T05Z SCSI TERMINATOR 16-PIN SOIC (150-MIL)

PKG	16-PIN	
DIM	MIN	MAX
A IN.	0.053	0.069
MM	1.35	1.75
A1 IN.	0.004	0.010
MM	0.10	0.25
A2 IN.	0.048	0.062
MM	1.24	1.57
b IN.	0.012	0.020
MM	0.30	0.50
C IN.	0.007	0.011
MM	0.17	0.28
D IN.	0.386	0.393
MM	9.80	9.98
e IN.	0.050 BSC	
MM	1.27 BSC	
E1 IN.	0.150	0.158
MM	3.81	4.01
H IN.	0.230	0.244
MM	5.84	6.20
L IN.	0.016	0.050
MM	0.40	0.89
θ	0°	8°

DS21T05S SCSI TERMINATOR 16-PIN SOIC (300-MIL)



The chamfer on the body is optional. If it is not present, a terminal 1 identifier must be positioned so that $\frac{1}{2}$ or more of its area is contained in the hatched zone.

PKG	16-PIN	
	DIM	MIN
A IN.	0.094	0.105
MM	2.38	2.68
A1 IN.	0.004	0.012
MM	0.102	0.30
A2 IN.	0.089	0.095
MM	2.26	2.41
b IN.	0.013	0.020
MM	0.33	0.51
C IN.	0.009	0.013
MM	0.229	0.33
D IN.	0.398	0.412
MM	10.11	10.46
e IN.	0.050 BSC	
MM	1.27 BSC	
E1 IN.	0.290	0.300
MM	7.37	7.62
H IN.	0.398	0.416
MM	10.11	10.57
L IN.	0.016	0.040
MM	0.40	1.02
\ominus	0°	8°