

Flexible Low Power CO₂ Sensor

DESCRIPTION

The CozIR®-A is a low power NDIR CO₂ sensor using state-of-the-art solid-state LED optical technology. The low power LEDs are manufactured in-house, giving GSS complete control of the CO₂ sensor signal chain.

The CozIR®-A's low power consumption is compatible with battery powered operation, allowing the sensor to be used in a wide variety of applications including wirelessly connected equipment.

The sensor is available in multiple versions with several user selectable options, including temperature and RH measurement capability.

The CozIR®-A also features a built-in auto-zero function that maintains CO₂ measurement accuracy over the lifetime of the product.

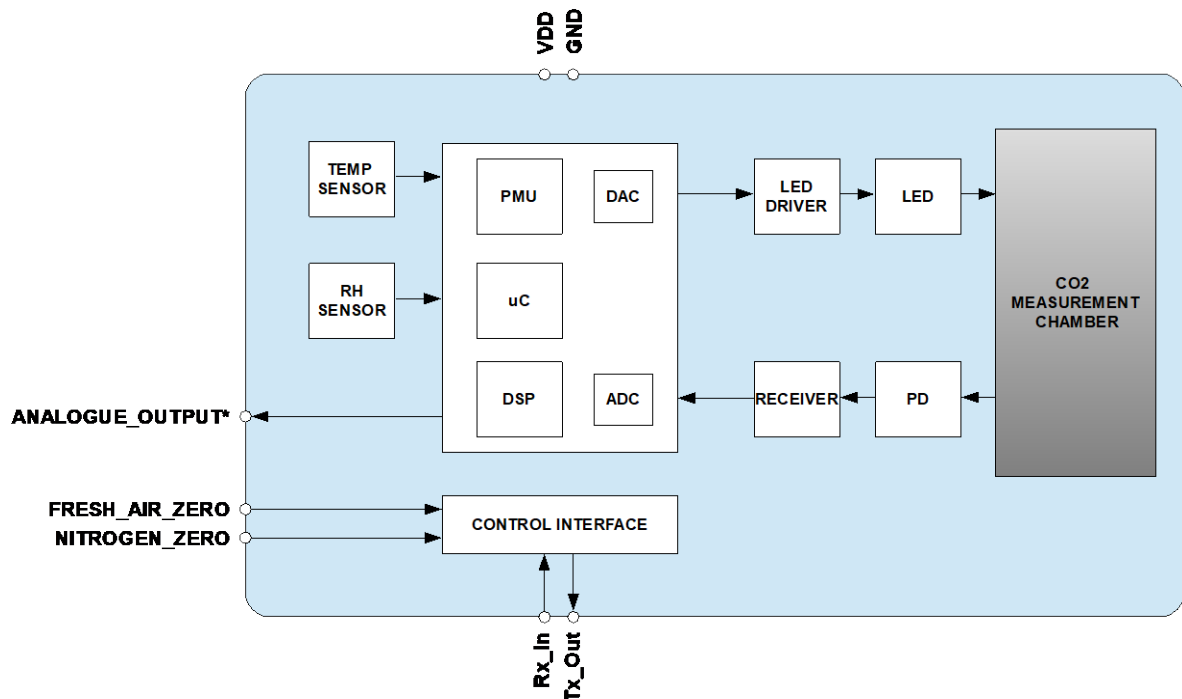
FEATURES

- Low power CO₂ sensor
- 30ppm typical measurement accuracy
- Solid state NDIR LED optical technology
- UART control and data interface
- Built-in auto-zeroing
- Optional Temperature and Relative Humidity sensing
- Optional Analogue (Voltage) output

APPLICATIONS

- Agriculture
- Livestock farming
- Healthcare
- Safety
- Aerospace
- Food packaging
- Food storage and transportation

BLOCK DIAGRAM



T, RH and *Optional

Flexible Low Power CO₂ Sensor

TABLE OF CONTENTS

DESCRIPTION..... 1

FEATURES..... 1

APPLICATIONS..... 1

BLOCK DIAGRAM..... 1

ORDERING INFORMATION 4

PACKAGE DRAWING: CozIR[®]-A – Cased..... 5

PACKAGE DRAWING: CozIR[®]-A – Uncased 6

PACKAGE DRAWING: CozIR[®]-A – Uncased with Right Angle Connector 7

PIN-OUT DESCRIPTION: CozIR[®]-A (Both Types) 8

ABSOLUTE MAXIMUM RATINGS 9

RECOMMENDED OPERATING CONDITIONS..... 9

PERFORMANCE CHARACTERISTICS 10

HUMIDTY PERFORMANCE CHARACTERISTICS - CozIR[®]-A Option..... 11

TEMPERATURE PERFORMANCE CHARACTERISTICS - CozIR[®]-A Option 11

CO₂ ANALOGUE OUTPUT PERFORMANCE CHARACTERISTICS – CozIR[®]-A Option..... 11

ELECTRICAL CHARACTERISTICS 12

POWER CONSUMPTION - CozIR[®]-A 12

INTERFACE TIMING – NITROGEN_ZERO and FRESH_AIR_ZERO 13

METHOD OF OPERATION 14

MODE K0 COMMAND MODE..... 14

MODE K1 STREAMING MODE 14

MODE K2 POLLING MODE..... 14

DIGITAL FILTER 15

ZERO POINT SETTING 16

ZERO IN A KNOWN GAS CONCENTRATION..... 16

ZERO IN NITROGEN 16

ZERO IN FRESH AIR..... 16

ZERO POINT ADJUSTMENT..... 17

AUTO-ZERO FUNCTION 17

AUTO-ZERO INTERVALS..... 17

AUTO-ZERO SETTINGS..... 17

ALTITUDE COMPENSATION..... 18

ALTITUDE COMPENSATION TABLE..... 18

CONTROL INTERFACE 19

CONTROL INTERFACE TIMING - UART MODE 19

UART COMMAND PROTOCOL..... 19

UART OPERATION 19

UART INTERFACE SUMMARY 20

CO₂ LEVEL MEASUREMENT VALUE - Z INFORMATION (0x5A) 22

CO₂ LEVEL MEASUREMENT VALUE - z INFORMATION (0x7A) 22

‘.’ COMMAND (0x2E)..... 22

TEMPERATURE MEASUREMENT VALUE - CozIR[®]-A Option..... 23

HUMIDITY MEASUREMENT VALUE - CozIR[®]-A Option 23

Flexible Low Power CO₂ Sensor

MEASUREMENT DATA OUTPUTS 24

 M COMMAND 25

 Q COMMAND 25

 SENSOR MODE COMMAND 26

 K COMMAND (0x4B) 26

DIGITAL FILTER COMMANDS 27

 A COMMAND (0x41) 27

 a COMMAND (0x61)..... 27

ZERO POINT SETTING COMMANDS 28

 F COMMAND (0x46)..... 29

 G COMMAND (0x47) 29

 U COMMAND (0x55) 29

 u COMMAND (0x75) 29

 X COMMAND (0x58) 29

 P COMMAND - CO₂ Level for Auto-Zeroing 30

 P COMMAND – CO₂ Level for Zero-Point Setting..... 30

AUTO-ZERO INTERVALS..... 31

 @ COMMAND (0x40)..... 31

ALTITUDE COMPENSATION..... 32

 S COMMAND (0x53)..... 32

 s COMMAND (0x73)..... 32

SERIAL NUMBER AND FIRMWARE VERSION 33

 Y COMMAND (0x59)..... 33

CONNECTION DIAGRAM FOR UART INTERFACE 34

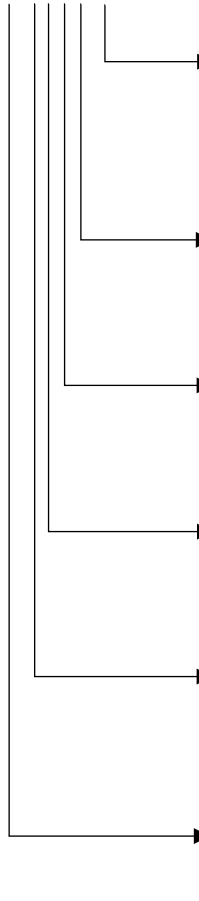
IMPORTANT NOTICE 35

ADDRESS 35

Flexible Low Power CO₂ Sensor

ORDERING INFORMATION

COZIR-A-X-XXXX-X



X	Measurement Range
2000	2,000ppm
5000	5,000ppm
1	10,000ppm (1%)
X	Pin Position
RA	Right Angled
Blank	Standard
X	Temperature Range
E	Extended, -25 to 55°C
Blank	0 to 50°C
X	Temperature and RH
H	Included
Blank	Not included
X	CO₂ Voltage Output
V	Included
Blank	Not included
X	Casing
U	Uncased
Blank	Cased

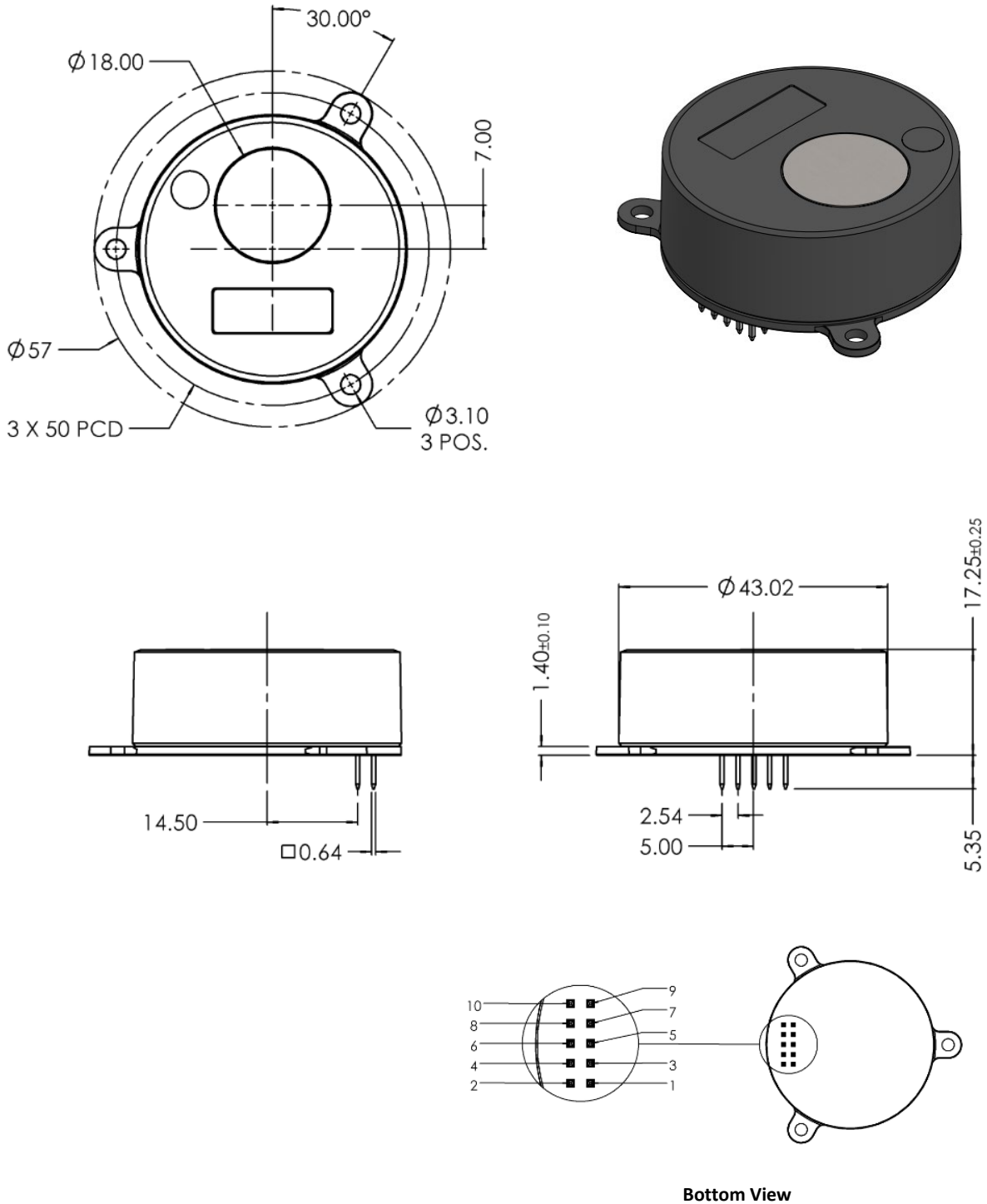
Notes:

1. Sensors are shipped individually

See separate data sheet for CozIR®-A evaluation kit options

Flexible Low Power CO₂ Sensor

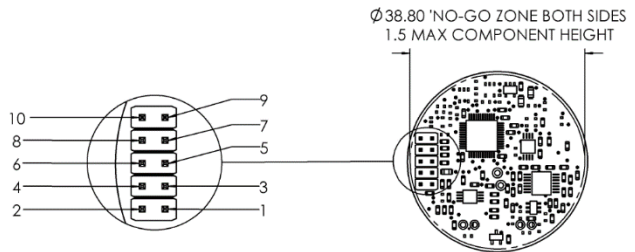
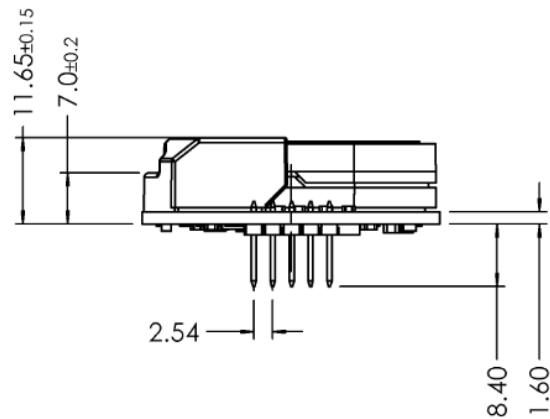
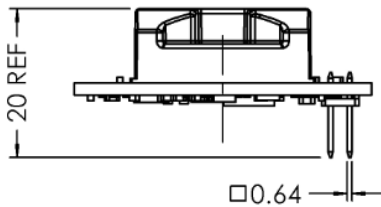
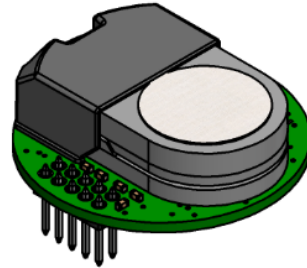
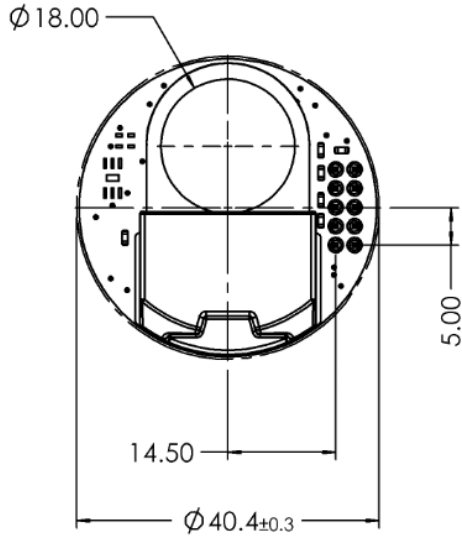
PACKAGE DRAWING: CozIR®-A – Cased



Weight = 18.7g

Flexible Low Power CO₂ Sensor

PACKAGE DRAWING: CozIR[®]-A – Uncased

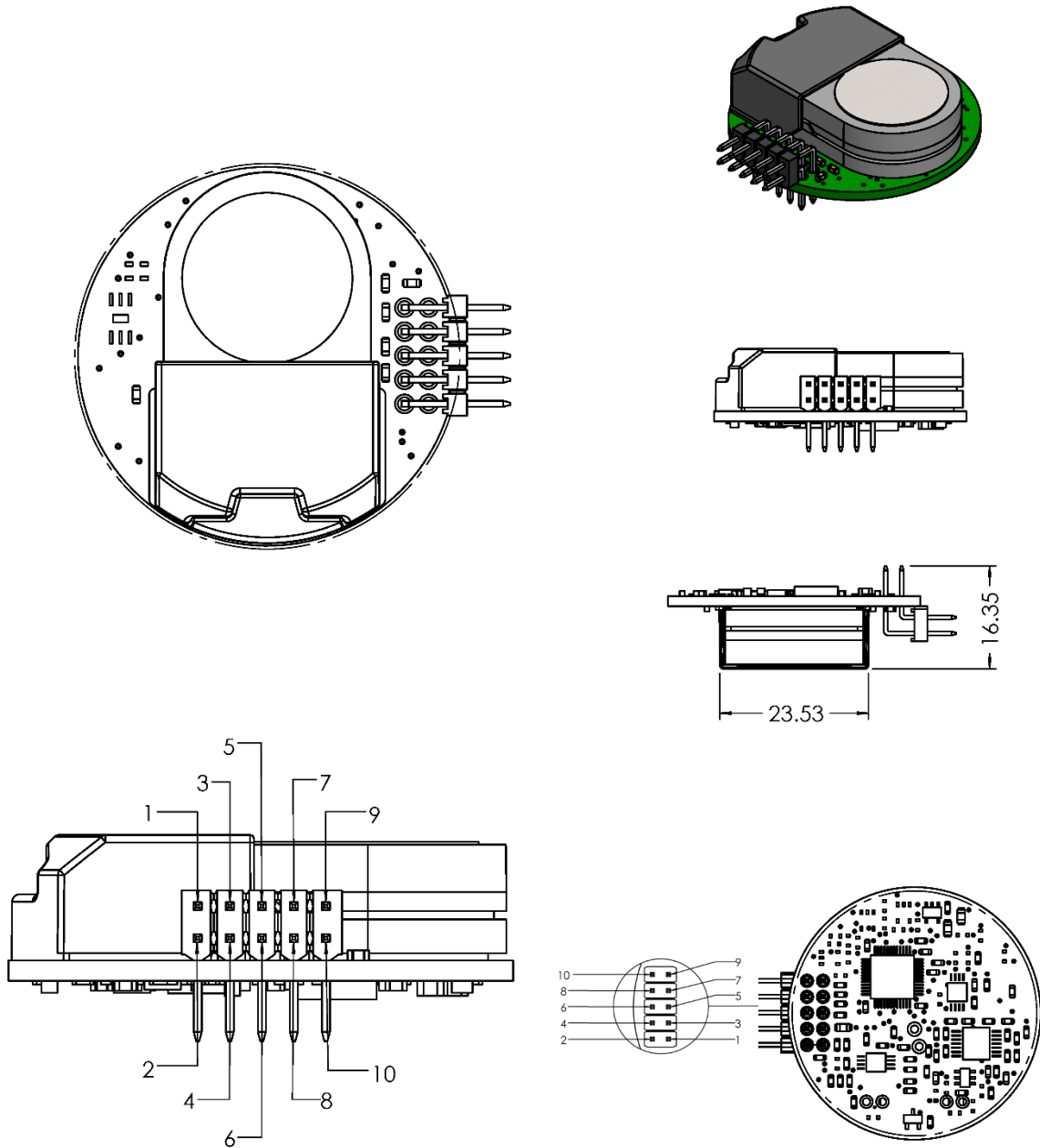


Bottom View

Weight = 12.49g

Flexible Low Power CO₂ Sensor

PACKAGE DRAWING: CoZIR®-A – Uncased with Right Angle Connector



Weight = 12.49g

Flexible Low Power CO₂ Sensor

PIN-OUT DESCRIPTION: CozIR®-A (Both Types)

PIN	NAME	TYPE	DESCRIPTION
1	GND	Supply	Sensor ground
2	NC	Unused	Do Not Connect
3	VDD	Supply	Sensor supply voltage
4	GND	Supply	Sensor ground
5	Rx_In	Digital Input	UART Receive Input
6	GND	Supply	Sensor ground
7	Tx_Out	Digital Output	UART Transmit Output
8	NITROGEN_ZERO	Digital Input	Set low to initiate a Zero in Nitrogen Zero Setting Cycle
9	ANALOGUE_OUTPUT	Analogue Output	CO ₂ Level (Optional)
10	FRESH_AIR_ZERO	Digital Input	Set low to initiate a Zero in Fresh Air Zero Setting Cycle

Flexible Low Power CO₂ Sensor

ABSOLUTE MAXIMUM RATINGS

Absolute Maximum Ratings are stress ratings only. Permanent damage to the CozIR®-A may be caused by continuously operating at or beyond these limits. The CozIR®-A functional operating limits and guaranteed performance specifications are given at the test conditions specified.



ESD Sensitive Device. This sensor uses ESD sensitive components. It is therefore generically susceptible to damage from excessive static voltages. Proper ESD precautions must be taken during handling and storage of this device.

CONDITION	MIN	MAX
Supply Voltages	-0.3V	+6.0V
Voltage Range Digital Inputs	GND -0.3V	5V
Operating Temperature Range (T _a)		
- Standard	0°C	+50°C
- Extended	-25°C	+55°C
Storage Temperature Range	-40°C	+70°C
Humidity Range (RH), Non-Condensing	0	95%
Operating Ambient Pressure Range	500mbar	2bar

RECOMMENDED OPERATING CONDITIONS

PARAMETER	SYMBOL	MIN	TYP	MAX	UNIT
Supply	VDD	3.25	3.3	5.5	V
Ground	GND		0		V

Flexible Low Power CO₂ Sensor

PERFORMANCE CHARACTERISTICS
Test Conditions Unless Otherwise Specified

VDD = 3.3V, GND = 0V. CO₂ = 450ppm, RH = 0% non-condensing, T= 25°C, Pressure = 1013mbar

PARAMETER	SYMBOL	TEST CONDITIONS	MIN	TYP	MAX	UNIT
CO ₂ measurement range			0		2,000	ppm
			0		5,000	ppm
			0		10,000	ppm
Accuracy		@25°C		±(30 +3% rdg)	±(50 +3% rdg)	ppm
		0°C to +55°C, after zeroing @25°C		±(30 +3% rdg)		ppm
CO ₂ RMS Noise				-		ppm
Time to Valid Measurement After Power-On		First value from sensor		1.2		secs
Response Time		From 0ppm to T ₉₀ (half full-scale), default settings, limited by diffusion through membrane window		30		secs
Repeatability				±(30 +3% rdg)		ppm
Pressure Dependence ^{1,2,3}		Per mbar deviation from 1013mbar, 950-1050mbar		0.14		%
Current Consumption		Peak current when sampling		15		mA
		Peak at turn-on		40		mA
		SLEEP Mode		0.01		mA

Note

- CO₂ measurement error based on changes to barometric pressure from nominal 1013mbar
- Corrected value (Z) valid only for <1% CO₂ gas concentrations and specified barometric pressure range
- $$Z_{(corrected)} = Z_{(actual\ reading)} + Z_{(actual\ reading)} * \frac{(1013 - Actual\ Pressure) * 0.14}{100}$$

Flexible Low Power CO₂ Sensor

HUMIDITY PERFORMANCE CHARACTERISTICS - CozIR®-A Option

PARAMETER	SYMBOL	TEST CONDITIONS	MIN	TYP	MAX	UNIT
Humidity measurement range			0		100	%
Accuracy		@25°C		±3		% RH
Repeatability		@25°C		±0.1		%
Response time		0-50%		<8		secs
Accuracy drift				0.25		% RH/Yr

TEMPERATURE PERFORMANCE CHARACTERISTICS - CozIR®-A Option

PARAMETER	SYMBOL	TEST CONDITIONS	MIN	TYP	MAX	UNIT
Temperature measurement range			-25		55	°C
Accuracy		0-50°C		±0.5		°C
Repeatability		@25°C		±0.1		%
Response time		0-50%, @25°C, filter = 16		>10		s
Accuracy drift				0.02		°C / Yr

CO₂ ANALOGUE OUTPUT PERFORMANCE CHARACTERISTICS – CozIR®-A Option

PARAMETER	SYMBOL	TEST CONDITIONS	MIN	TYP	MAX	UNIT
Output voltage range ^{1, 2}	ANALOGUE_OUTPUT		0		VDD	V
CO ₂ level		0-1%, VDD = 3.3V		33		uV/ppm
Repeatability		@25°C		±0.1		%
Response time		From 0ppm to T ₉₀ default settings		0.5		secs

Notes

1. The output CO₂ accuracy is degraded where ANALOGUE_OUTPUT <50mV, or >VDD–50mV
2. ANALOGUE_OUTPUT accuracy specified with a resistive loading @ >100Kohm

Flexible Low Power CO₂ Sensor

ELECTRICAL CHARACTERISTICS

PARAMETER	SYMBOL	TEST CONDITIONS	MIN	TYP	MAX	UNIT
Digital Input/Output						
Input HIGH Level			1.8			V
Input LOW Level					1.0	V
Output HIGH Level		I _{OH} = +1mA	2.6		3.0	V
Output LOW Level		I _{OL} = -1mA			0.4	V

POWER CONSUMPTION - CozIR®-A

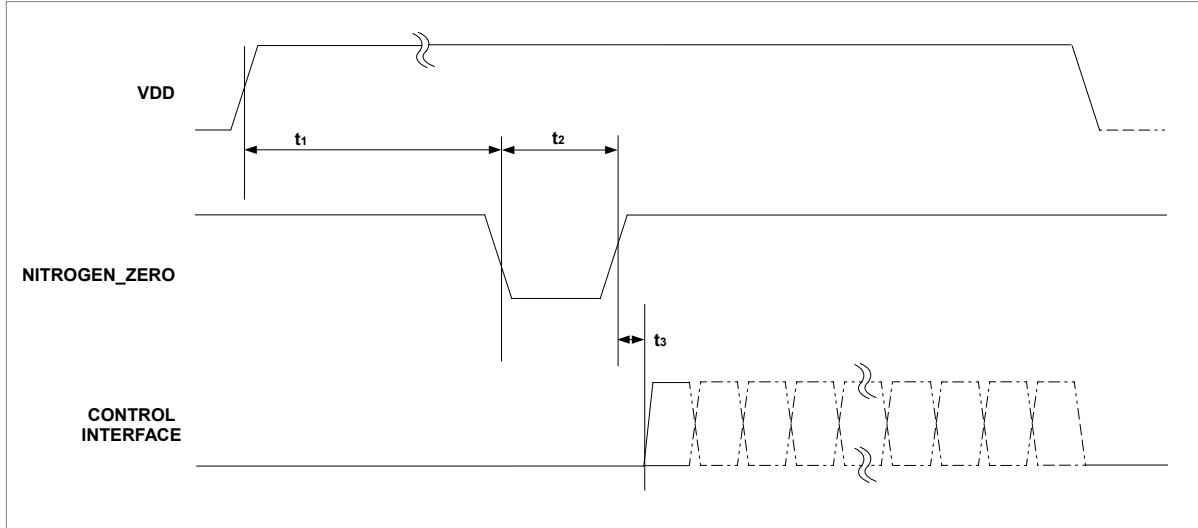
Test Conditions Unless Otherwise Specified

VDD = 3.3V, GND = 0V. CO₂ = 450ppm, RH = 0% non-condensing, T = 25°C, Pressure = 1013mbar

SETTING	SYMBOL	TEST CONDITIONS	VDD		Total Power
			V	I (mA)	mW
OFF		No power applied		0	0
Active, KO SLEEP mode, no measurement			3.3	0.01	0.03
Active, K1 mode whilst taking CO ₂ 2 measurements		Default settings	3.3	1	3.5
Additional with RH active		RH measurement on		+0.05	+0.2
Additional with T active		Temperature measurement on		+0.05	+0.2
Additional with CO ₂ active		With analogue CO ₂ output		+0.02	+0.1

Flexible Low Power CO₂ Sensor

INTERFACE TIMING – NITROGEN_ZERO and FRESH_AIR_ZERO



PARAMETER	SYMBOL	MIN	TYP	MAX	UNIT
Power On to NITROGEN_ZERO Ready	t_1	Time to stable gas			ms
NITROGEN_ZERO Low Pulse-Width	t_2	3			s
Control Interface Setup Time	t_3	600			ns

Notes

1. The timing for FRESH_AIR_ZERO is identical to NITROGEN_ZERO
2. Ensure gas concentration is stable (t_1) before beginning zeroing process

Flexible Low Power CO₂ Sensor

METHOD OF OPERATION

After power is applied to the CozIR[®]-A, the sensor will automatically start to take CO₂ measurements using the Mode 1 default settings, where the sensor is pre-programmed to send CO₂ measurement data at 2 readings per second.

The measurement rate is fixed at 2 readings per second at a fixed 9600 baud rate. The sensor will return the previous CO₂ measurement results if the user requests more frequent measurements.

The CozIR[®]-A family has 3 potential modes of operation.

MODE K0 COMMAND MODE

In this mode, the sensor is in a SLEEP mode, waiting for commands. No measurements are made. There is no latency in command responses. All commands that report measurements or alter the zero-point settings are disabled in Mode 0. Mode 0 is NOT retained after power cycling.

MODE K1 STREAMING MODE

This is the factory default setting. Measurements are reported twice per second. Commands are processed when received, except during measurement activity, so there may be a time delay of up to 10ms in responding to commands.

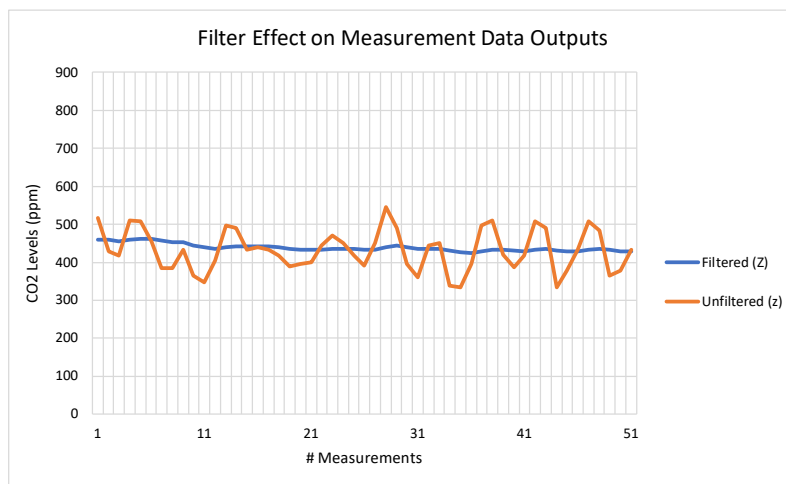
MODE K2 POLLING MODE

In polling mode, the sensor only reports readings when requested. The sensor will continue to take measurements in the background, but the output stream is suppressed until data is requested. The sensor will always power up in streaming or polling mode, whichever mode was used before the power cycle.

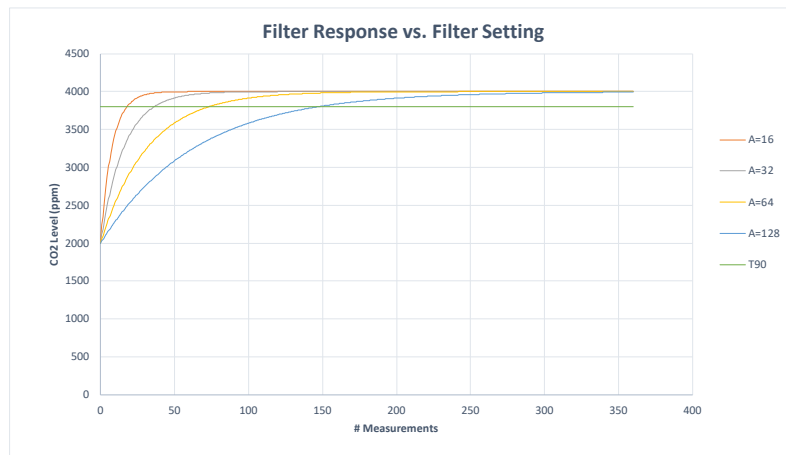
Flexible Low Power CO₂ Sensor

DIGITAL FILTER

The CO₂ gas chamber is illuminated with a nominal 4.25um wavelength LED and the signal received using a photo-diode. The signal from the photo-diode is processed and filtered by the sensor to remove noise and provide an accurate CO₂ reading. High frequency noise coming from the sampling process is removed using a proprietary lowpass filter. The digital filter setting can be varied, allowing the user to reduce measurement noise at the expense of the measurement response time. The ideal digital filter setting is application specific and is normally a balance between CO₂ reading accuracy and response time. The CozIR®-A sensor will also output the raw unfiltered CO₂ measurement data. This data can be post processed using alternative filter algorithms.



The graph above shows the effects of the filter on the CO₂ measurement data (Z or z). The unfiltered output is shown in orange and the filtered output shown in blue.



The graph above shows the effect of the filter on response times. Increasing the filter setting increases the measurement output response time. T₉₀ is the time to 90% of reading. The CozIR®-A takes 2 readings per second.

Flexible Low Power CO₂ Sensor

ZERO POINT SETTING

There are a several methods available to the user to set the zero point of the sensor. The recommended user method is zero-point setting in a known gas concentration. In all cases, the best zero is obtained when the gas concentration is stable, and the sensor is at a stabilised temperature.

Note that zero-point settings are not cumulative and only the latest zero-point setting is effective. For example, there is no benefit in zeroing in nitrogen, and then zeroing in a calibration gas. The sensor will store only the latest zero point.

To improve zeroing accuracy, the recommended digital filter setting is 32. See the 'A' command.

ZERO IN A KNOWN GAS CONCENTRATION

Place the sensor in a known gas concentration, power up the sensor and allow time for the sensor temperature to stabilise, and for the gas to be fully diffused into the sensor.

Send the **ZERO IN A KNOWN GAS CONCENTRATION** command X to the sensor. The sensor will be zeroed using the known gas concentration level sent by the user. The concentration value written to the sensor must be scaled dependent on the sensor CO₂ measurement range. The multiplier for the scaling factor is set according to the range of the sensor, see the '.' command.

ZERO IN NITROGEN

Place the sensor in nitrogen gas and allow time for the sensor temperature to stabilise and the gas to be fully diffused into the sensor. Send the **ZERO IN NITROGEN** command U to the sensor. The sensor is zeroed assuming a 0ppm CO₂ environment.

This function can also be enabled in hardware by pulling the NITROGEN_ZERO pin low for greater than 3 seconds (CoZIR[®]-A Only).

ZERO IN FRESH AIR

If there is no calibration gas or nitrogen available, the sensor zero point can be set in fresh air. Ambient CO₂ concentrations in fresh air are typically 400ppm. The CO₂ concentration fresh air zero level is programmable over a range from 0ppm to the full scale of the sensor.

Place the sensor in a fresh air environment and allow time for the sensor temperature to stabilise, and for the fresh air to be fully diffused into the sensor. Power up the sensor, write the G command to the sensor. The concentration value written to the sensor must be scaled dependent on the sensor CO₂ measurement range. The sensor can use the default fresh air CO₂ concentration value of 400ppm, or the user can write a different fresh air value to the sensor if desired.

This function can also be enabled in hardware by pulling the FRESH_AIR_ZERO pin low for greater than 3 seconds.

Flexible Low Power CO₂ Sensor

ZERO POINT ADJUSTMENT

If the CO₂ concentration and the sensor reported concentration are known, the zero point can be adjusted using the known concentration to fine tune the zero point. For example, if the sensor has been in an environment that has been exposed to outside air, and the sensor reading is known at that time, the zero point can be fine-tuned to correct the reading. This is typically used to implement automated zeroing routines.

The known CO₂ concentration value and the reported CO₂ value from the sensor can be sent to the sensor using the **ZERO POINT ADJUSTMENT** command F.

AUTO-ZERO FUNCTION

The sensor has a built-in auto-zero function. To function correctly, the sensor must be exposed to typical background levels (400-450ppm) at least once during the auto-zero period. For example, many buildings will drop quickly to background CO₂ levels when unoccupied overnight or at weekends. The auto-zero function uses the information gathered during these periods to re-zero. The sensor will reset the 'zero' level every time it does an auto-zero.

Auto-zero is ENABLED by default. If the sensor is powered down, the auto-zero period settings are reset to the default value.

The auto-zero function works in the same way as the **ZERO IN FRESH AIR** command. The user can also independently adjust the CO₂ level used for auto-zeroing. Typically, it is set to the same value as the **ZERO IN FRESH AIR** value, but it can also be set at a different level if desired.

AUTO-ZERO INTERVALS

The auto-zero period can be programmed by the user. The sensor can be programmed to undertake an initial auto-zero after power-on. Thereafter, the auto-zero period can be set independently of the start-up auto-zero time. Note, the auto-zero timer is reset if the sensor is powered down.

Auto-Zero Period	Minimum Value	Maximum Value	Default Value	Resolution
Initial Auto-Zero	0.1 days	37.9 days	1 days	0.1 day
On-Going Auto-Zero	0.1 days	37.9 days	8 days	0.1 day

AUTO-ZERO SETTINGS

By default, the sensor will automatically 'zero' using the lowest measured CO₂ level sampled during the auto-zero period. The sensor will re-zero to the pre-programmed level (default of 400ppm). The auto-zero reset value can be changed by the user.

Flexible Low Power CO₂ Sensor

ALTITUDE COMPENSATION

NDIR gas sensors detect the concentration of gas by measuring the degree of light absorption by the gas analyte. The degree of light absorption is then converted into a concentration reported by the sensor.

The absorption process is pressure dependent, and a change in pressure will cause a change in the reported gas concentration. As the pressure increases, the reported gas concentration also increases. As the pressure decreases, the reported concentration decreases. This effect takes place at a molecular level and is common to all NDIR gas sensors.

GSS sensors are calibrated at 1013mbar. The reading will vary by approximately 0.14% of reading for each mbar change in barometric pressure.

If the sensor is installed at an elevated altitude, the mean barometric pressure will be lower than 1013mbar. It is possible to configure the sensor to correct for this effect, by setting the altitude compensation value as part of the initial set up process. This will apply a permanent correction to the output of the sensor, depending on the altitude setting selected.

ALTITUDE COMPENSATION TABLE

Altitude (ft.)	Altitude (m)	Pressure (mbar)	Sea Level Difference	% Change per	CO ₂ Measurement Change (%)	Compensation Value
0	0	1,013	0	0.14	0	8,192
500	153	995	18	0.14	3	8,398
1,000	305	977	36	0.14	5	8,605
1,500	458	960	53	0.14	7	8,800
2,000	610	942	71	0.14	10	9,006
2,500	763	925	88	0.14	12	9,201
3,000	915	908	105	0.14	15	9,396
3,500	1,068	891	122	0.14	17	9,591
4,000	1,220	875	138	0.14	19	9,775
4,500	1,373	859	154	0.14	22	9,958
5,000	1,525	843	170	0.14	24	10,142
6,000	1,830	812	201	0.14	28	10,497
7,000	2,135	782	231	0.14	32	10,841
8,000	2,440	753	260	0.14	36	11,174
9,000	2,745	724	289	0.14	40	11,506
10,000	3,050	697	316	0.14	44	11,816

Other altitude compensation values can be calculated using the following formula.

$$Compensation\ Value = 8192 + \left(\frac{Sea\ Level\ Difference * 0.14}{100} \right) * 8192$$

Flexible Low Power CO₂ Sensor

CONTROL INTERFACE

The CozIR®-A family of sensors are controlled by writing and reading from the sensor via its UART interface. The Rx_In and Tx_Out pins are normally high, suitable for direct connection to a TTL level UART. If the sensor is to be read by a true RS232 device (e.g. a PC), it is necessary to pass through a level converter to step up/down the voltage and invert the signal.

CONTROL INTERFACE TIMING - UART MODE

PARAMETER	SYMBOL	MIN	TYP	MAX	UNIT
Baud Rate			9600		Bits/s
Data Bits			8		
Parity			None		
Stop Bits			1		
Hardware Flow Control			None		

UART COMMAND PROTOCOL

All UART commands must be terminated with a carriage return and line feed <CR><LF>, hex 0x0D 0x0A. In this document, this is shown as '\r\n'. UART commands that take a parameter always have a space between the letter and the parameter. The sensor will respond with a '?' if a command is not recognised. The two most common causes are missing spaces or missing <CR><LF> terminators.

All command communications are in ASCII and are terminated by carriage return, line feed (0x0D 0x0A). This document uses the protocol "\r\n" to indicate the carriage return line feed. All responses from the sensor, including measurements, have a leading space (ASCII character 32, hex 0x20).

The character '#' represents an ASCII representation of a numeric character (0-9). Note there is a space between the first letter and any parameter. For example, the X command reads "X space 2000 carriage return line feed".

UART OPERATION

When initially powered, the sensor will immediately start to make measurements and transmit CO₂ readings when in K1 streaming mode, which is the default operational mode of the sensor.

The CO₂ measurement is reported as:

`Z ##### z #####\r\n`

where `Z #####` shows the filtered CO₂ concentration and `z #####` shows the raw most recent measurement.

Note, all outputs from the sensor have a leading space.

Flexible Low Power CO₂ Sensor

UART INTERFACE SUMMARY

Syntax	Use	Example	Response	Comments
A ###\r\n	Set value of the digital filter	A 128\r\n	A 00128\r\n	See “ Digital Filter ”
a\r\n	Return the value of the digital filter	a\r\n	a 00128\r\n	See “ Digital Filter ”
F #####\r\n	Fine Tune the zero-point setting	F 410 400\r\n	F 33000\r\n	See “ Zero Point Setting ”
G\r\n	Zero-point setting using fresh air	G\r\n	G 33000\r\n	See “ Zero Point Setting ”
H\r\n	Returns the relative humidity value	H\r\n	H 00551\r\n	Only if fitted as an option
K #\r\n	Switches the sensor between different modes	K 1\r\n	K 00001\r\n	
M ###\r\n	Sets the number of measurement data types output by the sensor	M 212\r\n	M 00212\r\n	See “ Measurement Data Outputs ”
P 8 ###\r\n P 9 ###\r\n	Sets value of CO ₂ background concentration in ppm for auto-zeroing	P 8 1\r\n P 9 144\r\n	P 00008 00001\r\n P 00009 00144\r\n	Two-byte value, P 8 = MSB P 9 = LSB 400ppm in the example
P 10 ###\r\n P 11 ###\r\n	Sets value of CO ₂ background concentration in ppm used for zero- point setting in fresh air.	P 10 1\r\n P 11 144\r\n	P 00010 00001\r\n P 00011 00144\r\n	Two-byte value, P 10 = MSB P 11 = LSB 400ppm in the example
Q\r\n	Reports the latest measurement data types, as defined by ‘M’	Q\r\n	H 12345 T 12345 Z 00010 z 00010\r\n	Output is same format as data in K 1 streaming mode
S #####\r\n	Sets the pressure and concentration compensation value	S 8192\r\n	S 08192\r\n	See “ Altitude Compensation ”
s\r\n	Returns the altitude compensation value	s\r\n	s 08192\r\n	See “ Altitude Compensation ”
T\r\n	Returns the temperature value	T\r\n	T 01224\r\n	Only if fitted as an option
U\r\n	Zero-point setting using nitrogen	U\r\n	U 33000\r\n	See “ Zero Point Setting ”
u #####\r\n	Manual setting of the zero point.	u 32997\r\n	u 32997\r\n	See “ Zero Point Setting ”
X #####\r\n	Zero-point setting using a known gas concentration	X 2000\r\n	X 32997\r\n	See “ Zero Point Setting ”
Y\r\n	Return firmware version and sensor serial number	Y\r\n	Returns <u>two</u> lines	

Flexible Low Power CO₂ Sensor

Syntax	Use	Example	Response	Comments
Z\r\n	Return the most recent filtered CO ₂ measurement in ppm	Z\r\n	Z 01521\r\n	
z\r\n	Return the most recent unfiltered CO ₂ measurement in ppm	z\r\n	Z 01521\r\n	
@ #.#.#.#\r\n	Set auto-zero ON, and sets the timing for initial and interval auto-zero periods	@ 1.0 8.0\r\n	@ 1.0 8.0\r\n	See "Auto-Zero Function" for details
@\r\n	Returns the auto-zero configuration	@\r\n	@ 1.0 8.0\r\n	See "Auto-Zero Function" for details
@ 0\r\n	Switch auto-zero OFF	@ 0\r\n	@ 0\r\n	See "Auto-Zero Function" for details
.\r\n	Returns the scaling factor multiplier required to convert the Z or z output to ppm	.\r\n	. 00001\r\n	Multiply by 1 in the example

Flexible Low Power CO₂ Sensor

CO₂ LEVEL MEASUREMENT VALUE - Z INFORMATION (0x5A)

Description	Reports the latest filtered CO ₂ measurement
Syntax	ASCII Character 'Z', terminated by 0x0D 0x0A (CR & LF)
Example	Z\r\n
Response	Z 00521\r\n

This value needs to be multiplied by the appropriate scaling factor to derive the ppm value. See the '.' command.

CO₂ LEVEL MEASUREMENT VALUE - z INFORMATION (0x7A)

The sensor is also capable of reporting the real time unfiltered CO₂ measurement value.

Description	Reports the unfiltered CO ₂ measurement
Syntax	ASCII Character 'z', terminated by 0x0D 0x0A (CR & LF)
Example	z\r\n
Response	z 00521\r\n

'.' COMMAND (0x2E)

To calculate the measurement value in ppm, the 'Z' or 'z' value, they must be converted into ppm by using the '.' multiplier factor. This multiplier will depend on the full-scale measurement range of the sensor. The multiplier is related to the full-scale range of the sensor.

The multiplier must also be used when sending CO₂ concentration levels to the sensor, for example when setting the fresh air CO₂ concentration value. The '.' Command can also be used to read back the scaling factor.

For example, if the user wants to zero the sensor in a known concentration of gas (e.g. 450ppm), the value written to the sensor must be 450/scaling factor.

Description	Returns a number indicating what multiplier must be applied to the Z CO ₂ measurement output to convert it into ppm.
Syntax	ASCII character '.', terminated by 0x0D 0x0A (CR & LF)
Example	.\r\n
Response	. 00001\r\n (this number is variable, usually 1)

Measurement Range of Sensor	CO ₂ Measurement Scaling Factor (Z)	CO ₂ Measurement Output Units	Example
0 – 1%	1	ppm	Z 00650 = 650ppm = 0.065%
0 – 60%	10	ppm/10	Z 01200 = 12000ppm = 1.2%
0 – 100%	100	ppm/100	Z 01500 = 15000ppm = 15%

Flexible Low Power CO₂ Sensor

TEMPERATURE MEASUREMENT VALUE - CozIR®-A Option

Command	Use	Example	Response	Comments
T\r\n	Returns the most recent temperature measurement.	T\r\n	T 01224\r\n	Where ##### is a 5-digit number. Temperature (°C) = (##### - 1000)/10. 22.4°C in the example

Description	Returns the most recent temperature measurement.
Syntax	ASCII character 'T', SPACE, decimal, terminated by 0x0D 0x0A (CR & LF)
Example	T\r\n
Response	T 01224\r\n (this number is variable)

HUMIDITY MEASUREMENT VALUE - CozIR®-A Option

Command	Use	Example	Response	Comments
H\r\n	Return the most recent humidity measurement.	H\r\n	H 00551\r\n	Where ##### is a 5-digit number. Humidity (%RH) = #####/10. 55.1% RH in the example

Description	Returns the most recent the humidity measurement.
Syntax	ASCII character 'H', SPACE, decimal, terminated by 0x0D 0x0A (CR & LF)
Example	H\r\n
Response	H 00551\r\n (this number is variable)

Note both temperature and humidity outputs are a factory fit option on the CozIR®-A only. If not fitted, sensor will return either T 01000 or H 00000.

To output temperature, humidity, and filtered CO₂, send “M 4164\r\n” (see “*Measurement Data Outputs*”).

The output format will have the form: *H 00345 T 01195 Z 00065\r\n*

This example indicates 34.5% RH, 19.5°C and 650ppm CO₂.

Flexible Low Power CO₂ Sensor

MEASUREMENT DATA OUTPUTS

The CozIR®-A family of sensors can be configured to provide CO₂, temperature, and humidity data as a single string of data. Up to five data fields can be transmitted, programmable by the user. The number of fields and the type of data to be transmitted is defined by the “Mask Value” setting.

The output data format is as follows. Each field is identified by the Data Field Identifier character, followed by a space, followed by the five-digit number indicating the value of the parameter.

Data Parameter	Data Field Identifier	Mask Value	Description
Humidity	H	4096	Humidity value of the environment around the sensor
D digitally filtered	d	2048	Reports a value related to the normalized LED signal strength (smoothed)
D unfiltered	D	1024	Reports a value related to the normalized LED signal strength
Zero Set Point	h	256	Reports the current zero value
Sensor Temperature (unfiltered)	V	128	Reports a value that varies inversely with the sensor temperature.
Temperature	T	64	Reports a true temperature value of the environment around the sensor, if optional temperature sensor is fitted
LED Signal (digitally filtered)	o	32	Reports a value that gives an indication of the LED signal strength (smoothed)
LED Signal (unfiltered)	O	16	Reports a value that gives an indication of the LED signal strength.
Sensor Temperature (filtered)	v	8	Reports a value that varies inversely with the sensor temperature. (smoothed)
CO ₂ Output (Filtered)	Z	4	Filtered CO ₂ reading
CO ₂ Output (Unfiltered)	z	2	Raw CO ₂ reading, unfiltered

Flexible Low Power CO₂ Sensor

UART Command	Use	Default	Range	Example	Response	Comments
M #####\r\n	Sets the number of measurement data types output by the sensor. ##### is the mask value	M 6\r\n		See “ Measurement Data Outputs ”	M 00006\r\n	Sets the number of measurement data types output by the sensor

The required mask value is the sum of the ‘Mask Value’ for each field required. To output filtered and unfiltered CO₂ data, set M=6.

To output the temperature, humidity and CO₂ measurements, set M = 4164 (send M 4164\r\n).

The output string will be: H 12345 T 12345 Z 00010\r\n

M COMMAND

Description	Sets the type and number of data outputs
Syntax	ASCII character 'M', SPACE, up to a 5-digit number, terminated by 0x0D 0x0A (CR & LF)
Example	M 4164\r\n
Response	M 04164\r\n

Q COMMAND

Description	Reports the latest output data fields defined by ‘M’
Syntax	ASCII character 'Q', terminated by 0x0D 0x0A (CR & LF)
Example	Q\r\n
Response	H 12345 T 12345 Z 00010\r\n

Flexible Low Power CO₂ Sensor

SENSOR MODE COMMAND

The CoZIR®-LP has 3 potential modes of operation, controlled by the K command.

Mode	Value	Description	
Mode 0	K=0	Sleep Mode	Sensor is in a SLEEP mode, waiting for commands. No measurements are made. There is no latency in command responses. All commands that report measurements or alter the zero-point settings are disabled in Mode 0. Mode 0 is NOT retained after power cycling.
Mode 1	K=1	Streaming Mode	This is the factory default setting. Measurements are reported twice per second. Commands are processed when received, except during measurement activity, so there may be a time delay of up to 100ms in responding to commands.
Mode 2	K=2	Polling Mode	In polling mode, the sensor only reports readings when requested. The sensor will continue to take measurements in the background, but the output stream is suppressed until data is requested. The sensor will always power up in streaming or polling mode, whichever mode was used before the power cycle.

Command	Use	Default	Range	Example	Response	Comments
K #\r\n	Switches the sensor between different control modes	1		K 1\r\n	K 00001\r\n	<i>See 'K' Commands</i>

K COMMAND (0x4B)

Description	Sets the control interface mode		
Syntax	ASCII character 'K', SPACE, mode number, terminated by 0x0D 0x0A (CR & LF)		
Example	K 1\r\n		
Response	K 00001\r\n (this number is variable)		

Flexible Low Power CO₂ Sensor

DIGITAL FILTER COMMANDS

Command	Use	Default	Range	Example	Response	Comments
A ###\r\n	Set value of the digital filter	16	1 - 65635	A 16\r\n	A 00016\r\n	
a\r\n	Return value of digital filter		1 - 65365	a\r\n	a 00016\r\n	

A COMMAND (0x41)

Description	Set the value for the digital filter
Syntax	ASCII character 'A', SPACE, decimal, terminated by 0x0D 0x0A (CR & LF)
Example	A 16\r\n
Response	A 00016\r\n (this number is variable)

a COMMAND (0x61)

Description	Set the value for the digital filter
Syntax	ASCII character 'A', SPACE, decimal, terminated by 0x0D 0x0A (CR & LF)
Example	A 16\r\n
Response	A 00016\r\n (this number is variable)

Flexible Low Power CO₂ Sensor

ZERO POINT SETTING COMMANDS

Command	Use	Default	Range	Example	Response	Comments
F ##### #####\r\n	Fine Tune the zero point		Range of sensor	F 410 400\r\n	F 33000\r\n	See "Zero Point Setting"
G\r\n	Zero-point setting using fresh air			G\r\n	G 33000\r\n	See "Zero Point Setting"
U\r\n	Zero-point setting using nitrogen			U\r\n	U 33000\r\n	See "Zero Point Setting"
u #####\r\n	Manual setting of the zero point			u 32997\r\n	u 32997\r\n	See "Zero Point Setting"
X #####\r\n	Zero-point setting using a known gas concentration		Range of sensor	X 2000\r\n	X 32997\r\n	See "Zero Point Setting"
P 8 ###\r\n P 9 #\r\n	Sets value of CO ₂ background concentration in ppm for auto-zeroing	P 8 1\r\n P 9 144\r\n		P 8 1\r\n P 9 144\r\n	P 00008 00001\r\n P 00009 00144\r\n	Two-byte value, P 8 = MSB P 9 = LSB 400ppm in the example
P 10 ###\r\n P 11 #\r\n	Sets value of CO ₂ background concentration in ppm used for zero- point setting in fresh air.	P 10 1\r\n P 11 144\r\n		P 10 1\r\n P 11 144\r\n	P 00010 00001\r\n P 00011 00144\r\n	Two-byte value, P 10 = MSB P 11 = LSB 400ppm in the example

Flexible Low Power CO₂ Sensor

F COMMAND (0x46)

Description	Sets the zero-point using a known reading and a known CO ₂ concentration terminated by 0x0D 0x0A (CR & LF)
Syntax	ASCII character 'F', SPACE, then the reported gas concentration, SPACE, then the actual gas concentration, terminated by 0x0D 0x0A (CR & LF)
Example	F 410 400\r\n
Response	F 33000\r\n (the numbers are variable)

G COMMAND (0x47)

Description	Sets the zero point assuming the sensor is in fresh air (typically 400ppm CO ₂ , but level can be set by user – see P commands.)
Syntax	ASCII character 'G' terminated by 0x0D 0x0A (CR & LF)
Example	G\r\n
Response	G 33000\r\n (the number is variable)

U COMMAND (0x55)

Description	Sets the zero point assuming the sensor is in 0ppm CO ₂ such as nitrogen.
Syntax	ASCII Character 'U' terminated by 0x0D 0x0A (CR & LF)
Example	U\r\n
Response	U 32767\r\n (the number is variable)

u COMMAND (0x75)

Description	Forces a specific zero set point value.
Syntax	ASCII character 'u', SPACE, then specific zero value, terminated by 0x0D 0x0A (CR & LF)
Example	u 32767\r\n
Response	u 32767\r\n (the number mirrors the input value)

X COMMAND (0x58)

Description	Sets the zero point with the sensor in a known concentration of CO ₂ . Input value is scaled by CO ₂ value multiplier, see '.' command.
Syntax	ASCII character 'X', SPACE, then the gas concentration, terminated by 0x0D 0x0A (CR & LF)
Example	X 1000\r\n
Response	X 33000\r\n (the number is variable).

Flexible Low Power CO₂ Sensor

P COMMAND - CO₂ Level for Auto-Zeroing

Description	Sets the value of CO ₂ in ppm used for auto-zeroing. Input value is scaled by CO ₂ value multiplier, see '.' command.
Syntax	ASCII character 'P', SPACE, then 8, SPACE, then MSB terminated by 0x0D 0x0A (CR & LF) ASCII character 'P' then a space, then 9, then a space, then LSB terminated by 0x0D 0x0A (CR & LF)
Example	P 8 1\r\n P 9 144\r\n
Response	P 00008 00001\r\n P 00009 00144\r\n

The value is entered as a two-byte word, MSB first.

MSB = Integer (Concentration/256)

LSB = Concentration – (256*MSB)

In the above example, target CO₂ background concentration is 400ppm.

MSB = Integer (400/256) = 1

LSB = 400 – 256 = 144

P COMMAND – CO₂ Level for Zero-Point Setting

Description	Sets value of CO ₂ in ppm for zero-point setting in fresh air. Input value is scaled by CO ₂ value multiplier, see '.' command.
Syntax	ASCII character 'P', SPACE, then 10, SPACE, then MSB terminated by 0x0D 0x0A (CR & LF) ASCII character 'P', SPACE, then 11, SPACE, then LSB terminated by 0x0D 0x0A (CR & LF)
Example	P 10 7\r\n P 11 208\r\n
Response	P 00010 00007\r\n P 00011 00208\r\n

MSB = Integer (Concentration/256)

LSB = Concentration – (256*MSB)

In the above example, target zero-point CO₂ concentration is 2000ppm.

MSB = Integer (2000/256) = 7

LSB = 2000 – (256*MSB) = 208

Flexible Low Power CO₂ Sensor

AUTO-ZERO INTERVALS

UART Command	Use	Default	Range	Example	Response	Comments
@ #.# #.#\r\n	Auto-zero interval settings	1.0 8.0	0.1 to 37.9 days	@ 1.0 8.0\r\n	@ 1.0 8.0\r\n	See "Auto-zero" for details

@ COMMAND (0x40)

Description	Set the 'Initial Interval' and 'Regular Interval' for auto-zero events.
Syntax	ASCII character '@', SPACE, decimal, SPACE, decimal terminated by 0x0D 0x0A (CR & LF)
Example	@ 1.0 8.0\r\n
Response	@ 1.0 8.0\r\n (the number mirrors the input value)

Both the initial interval and regular interval are given in days. Both must be entered with a decimal point and one figure after the decimal point. In the above example, the auto-zeroing interval is set to 8 days, and the initial interval set to 1 day.

The CozIR®-A has auto-zero ENABLED by default. The default values are an initial interval of 1.0 day and an on-going interval of 8.0 days.

- To set auto-zero OFF, send @ 0\r\n
- To set auto-zero ON, send @ #.# #.#\r\n (integer numbers for initial period and regular period)
- To determine the auto-zeroing configuration, send @\r\n
- If the auto-zero function is OFF, @\r\n will return 0.
- If the auto-zero is ON, @\r\n will return 1.0 8.0 (for the default values).

Flexible Low Power CO₂ Sensor

ALTITUDE COMPENSATION

UART Command	Use	Default	Range	Example	Response	Comments
S #####\r\n	Sets the altitude compensation value	8192	0-65536	S 8192\r\n	S 08192\r\n	See “ <i>Altitude Compensation</i> ”
s\r\n	Returns the altitude compensation value			s\r\n	s 08192\r\n	See “ <i>Altitude Compensation</i> ”

S COMMAND (0x53)

Description	Set the 'Altitude Compensation' value
Syntax	ASCII character 'S', SPACE, decimal, terminated by 0x0D 0x0A (CR & LF)
Example	S 8192\r\n
Response	S 08192\r\n (the number mirrors the input value)

s COMMAND (0x73)

Description	Reports the 'Altitude Compensation' value.
Syntax	ASCII Character 's', terminated by 0x0D 0x0A (CR & LF)
Example	s\r\n
Response	s 8192\r\n

Flexible Low Power CO₂ Sensor

SERIAL NUMBER AND FIRMWARE VERSION

UART Command	Use	Default	Range	Example	Response	Comments
Y\r\n	Return firmware version and sensor serial number			Y\r\n	Returns <u>two</u> lines	

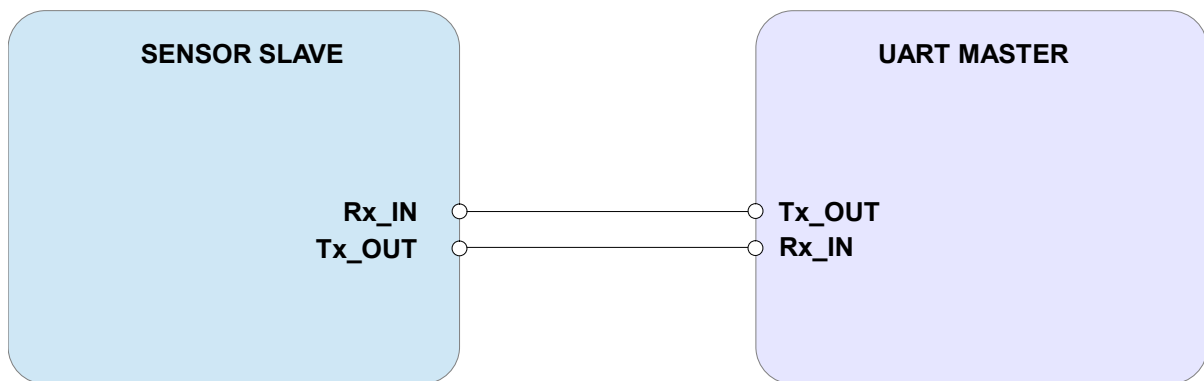
Y COMMAND (0x59)

Description	The present version string for the firmware and serial number of the sensor.
Syntax	ASCII character 'Y', terminated by 0x0d 0x0a (CR & LF)
Example	Y\r\n
Response	Y,Aug 25 2021,14:19:56,LP15132 B 528148 00000 Where; Aug 25 2021,14:19:56 is the firmware compile date and time LP15132 is the firmware revision 528148 is the sensor ID

N.B. This command returns two lines split by a carriage return line feed and terminated by a carriage return line feed. This command requires that the sensor has been stopped (see 'K' command).

Flexible Low Power CO₂ Sensor

CONNECTION DIAGRAM FOR UART INTERFACE



Flexible Low Power CO₂ Sensor

IMPORTANT NOTICE

Gas Sensing Solutions Ltd. (GSS) products and services are sold subject to GSS's terms and conditions of sale, delivery and payment supplied at the time of order acknowledgement. GSS warrants performance of its products to the specifications in effect at the date of shipment. GSS reserves the right to make changes to its products and specifications or to discontinue any product or service without notice.

Customers should therefore obtain the latest version of relevant information from GSS to verify that the information is current. Testing and other quality control techniques are utilised to the extent GSS deems necessary to support its warranty. Specific testing of all parameters of each device is not necessarily performed unless required by law or regulation. In order to minimise risks associated with customer applications, the customer must use adequate design and operating safeguards to minimise inherent or procedural hazards. GSS is not liable for applications assistance or customer product design. The customer is solely responsible for its selection and use of GSS products. GSS is not liable for such selection or use nor for use of any circuitry other than circuitry entirely embodied in a GSS product.

GSS products are not intended for use in life support systems, appliances, nuclear systems or systems where malfunction can reasonably be expected to result in personal injury, death or severe property or environmental damage. Any use of products by the customer for such purposes is at the customer's own risk.

GSS does not grant any licence (express or implied) under any patent right, copyright, mask work right or other intellectual property right of GSS covering or relating to any combination, machine, or process in which its products or services might be or are used. Any provision or publication of any third party's products or services does not constitute GSS's approval, licence, warranty or endorsement thereof. Any third party trademarks contained in this document belong to the respective third-party owner.

Reproduction of information from GSS datasheets is permissible only if reproduction is without alteration and is accompanied by all associated copyright, proprietary and other notices (including this notice) and conditions. GSS is not liable for any unauthorised alteration of such information or for any reliance placed thereon.

Any representations made, warranties given, and/or liabilities accepted by any person which differ from those contained in this datasheet or in GSS's standard terms and conditions of sale, delivery and payment are made, given and/or accepted at that person's own risk. GSS is not liable for any such representations, warranties or liabilities or for any reliance placed thereon by any person.

ADDRESS

Gas Sensing Solutions Ltd.
Grayshill Road
Cumbernauld
G68 9HQ
United Kingdom

Flexible Low Power CO₂ Sensor

REVISION HISTORY

DATE	RELEASE	DESCRIPTION OF CHANGES	PAGES
05/03/2020	4.0	First revision	All
13/05/2020	4.1	Updated auto-zero language	All
10/06/2020	4.2	ABSOLUTE MAXIMUM RATINGS	P.8
15/01/2021	4.3	INTERFACE TIMING – NITROGEN_ZERO and FRESH_AIR_ZERO	P.12
01/02/2021	4.4	ABSOLUTE MAXIMUM RATINGS	P.8
23/06/2021	4.5	@ COMMAND UPDATE	P.27
23/08/2021	4.6	Added Measure data outputs information	P.23
27/09/2021	4.7	Y Command	P.31
21/10/2021	4.8	@ COMMAND functionality	P.16,29
08/12/2021	4.9	Various minor corrections	All
21/02/2022	4.10	ORDERING INFORMATION, PACKAGE DRAWING: CozIR®-A – Uncased with Right Angle Connector	P. 4, 7
16/06/2022	4.11	Sensor Weight, PERFORMANCE CHARACTERISTICS	P. 5, 6, 7, 10