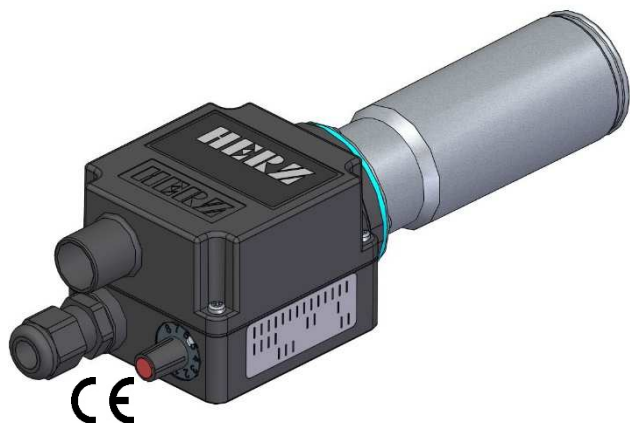


Air heater type S36 from 1,8 to 3,3 KW



Function: Air heater with external air supply by means of fan or compressed air.
CAUTION !!! Device is not pressure-resistant !!!

Configuration: Default: Temperature control with potentiometer (1 – 8)
 - alternatively with external potentiometer (cable length 5 meter) or
 - external control by control unit or SPS (cable length 5 meter)

The device is equipped with a reliable heating element protection. The integrated device protection turns off the device when tripped and resets automatically after cooling down. A reset is not required.

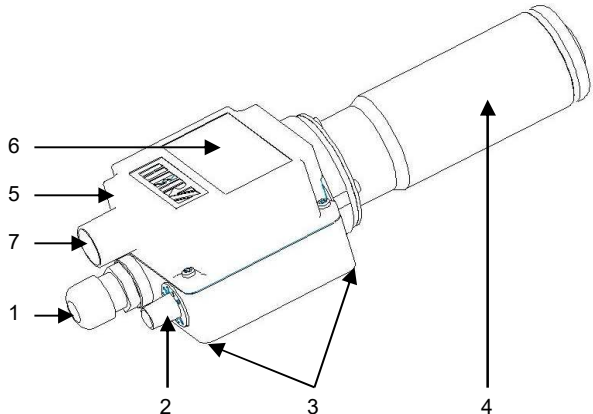
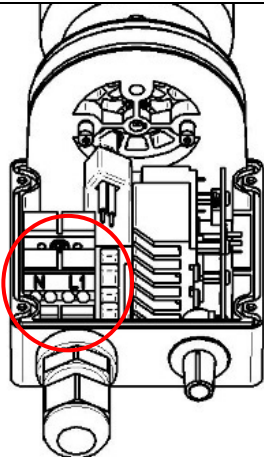
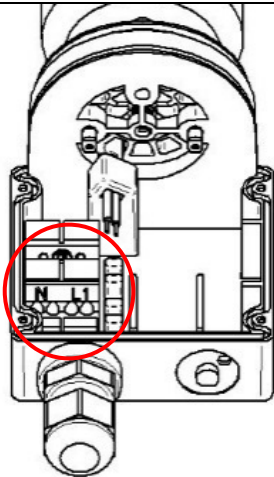
Features: Special design with internal thermocouple (cable length 1 or 5 meter):
 - for devices with electronic equipment max. supply air temperature 50°C/122°F
 - the unit is available without electronics (without heating element protection)
 - for devices without electronic equipment max. supply air temperature 80°C/176°F

Power: 1,8 KW - 3,3 KW
Voltage: 120VAC, 230 VAC

Technical data:

| Item number / Basic versions | Potentiometer | 5700122 | 5101436 | 5101428 | 5101426 | on request | on request |
|------------------------------|--------------------|---------------|------------|---------|---------|------------|------------|
| | external control | on request | on request | 5101429 | 5101382 | on request | on request |
| | without electronic | on request | on request | 5101410 | 5101434 | 5101440 | 5101439 |
| Voltage | VAC | 120 | | 230 | | 400 (2Ph) | 480 (2Ph) |
| Frequency | Hz | 50 / 60 | | | | | |
| Power | KW | 1,8 | 2,2 | 2,3 | 3,3 | | |
| Current | A | 15,0 | 18,3 | 10,0 | 14,3 | 8,3 | 6,9 |
| Max. temperature | °C/°F | 650/1202 | | | | | |
| Min. air volume | l/min | 230 | 280 | | 420 | | |
| Weight | kg | 0,47 | | | | | |
| Air intake | Ø mm | 19 | | | | | |
| Air outlet | Ø mm | 22 | | | | | |
| Heater tube | Ø mm | 36 / 43 | | | | | |
| Dimensions | mm (L x W x H) | 241 x 70 x 59 | | | | | |
| Conformity mark | | | | | | | |
| Protection class II | | | | | | | |

Air heater type S36 from 1,8 to 3,3 KW

| Product description: | Connection scheme: | | |
|---|--|--|--|
|  |  | <p>Default with potentiometer</p> <p>N, L1 = Main connection according to data plate</p> | <p>External control</p> <p>N, L1 = Main connection according to data plate</p> <p>Digital signal (PWM max. 0,5Hz) 10-24VDC + = brown - = white</p> <p>+ / - control cable</p> |
| <ol style="list-style-type: none"> 1. Cable fitting mains supply 2. Potentiometer 0-8 (control cable for ext. control); (no Potentiometer for devices without electronic) 3. Mounting on bottom of housing M 4 (screw depth 7 mm) 4. Heating element pipe Ø36mm 5. Cover 6. Data plate 7. Air intake Ø19mm |  | <p>Version without electronics</p> <p>N, L1 = Main connection according to data plate</p> | |

Air heater type S36 from 1,8 to 3,3 KW

Available Versions:

| Item no. | Description |
|----------------|--|
| 5700122 | Air heater type S36 120 VAC 1,8 KW with potentiometer |
| 5101436 | Air heater type S36 120 VAC 2,2 KW with potentiometer |
| 5101428 | Air heater type S36 230 VAC 2,3 KW with potentiometer |
| 5101429 | Air heater type S36 230 VAC 2,3 KW externally controllable (PWM 12-24 VDC, 1 Hz) with 5.0m control cable (2-pin) |
| 5101410 | Air heater type S36 230 VAC 2,3 KW without electronics |
| 5101426 | Air heater type S36 230 VAC 3,3 KW with potentiometer |
| 5101382 | Air heater type S36 230 VAC 3,3 KW externally controllable (PWM 12-24 VDC, 1 Hz) with 5.0m control cable (2-pin) |
| 5101434 | Air heater type S36 230 VAC 3,3 KW without electronics |
| 5101440 | Air heater type S36 400 VAC (2Ph) 3,3 KW without electronics |
| 5101439 | Air heater type S36 480 VAC (2Ph) 3,3 KW without electronics |






Available modifications:

| Artikelnummer | Typ | Modifikation |
|---------------|-----|---|
| 5005005.1 | S02 | External potentiometer for heating including 5m control line; 3 pole; Potentiometer is soldered to the end of the cable; including potentiometer knob red; |
| 5005021.3 | S05 | Internal PID control via internal potentiometer without digital display; |
| 5005010.3 | S06 | Internal thermocouple including 2m compensation cable with open ends green (+) white (-); |
| 5005007 | S12 | A push-in nipple for air hose 8/6mm is mounted on the air connection |
| 5005019 | S13 | Instead of the potentiometer for devices WITHOUT electronics, a 1/4 "compressed air hose connection 6/4mm is installed; This is used to monitor the pressure in the housing; |
| 5005036.2 | S23 | Device with tube adapter without protective tube; Standard is with protective tube; |
| 5700141 | S31 | 100% heating output with heating element protection for type S/M (for basic device without electronics); |

The basic device for this modification is always standard with a potentiometer

Air heater type S36 from 1,8 to 3,3 KW

Accessories:

| Item no. | Description |
|----------|---|
| 5107250 |  Flange connector, push fit on the protective tube |
| 5107155 |  Tubular nozzle \varnothing 5mm |
| 5107003 |  Angle nozzle 90°, \varnothing 12mm |
| 5107251 |  Extension tube 210 x 36,5mm |
| 5107261 |  Wide slot nozzle 70 x 4mm |

Combination possibilities for devices WITH electronic*:

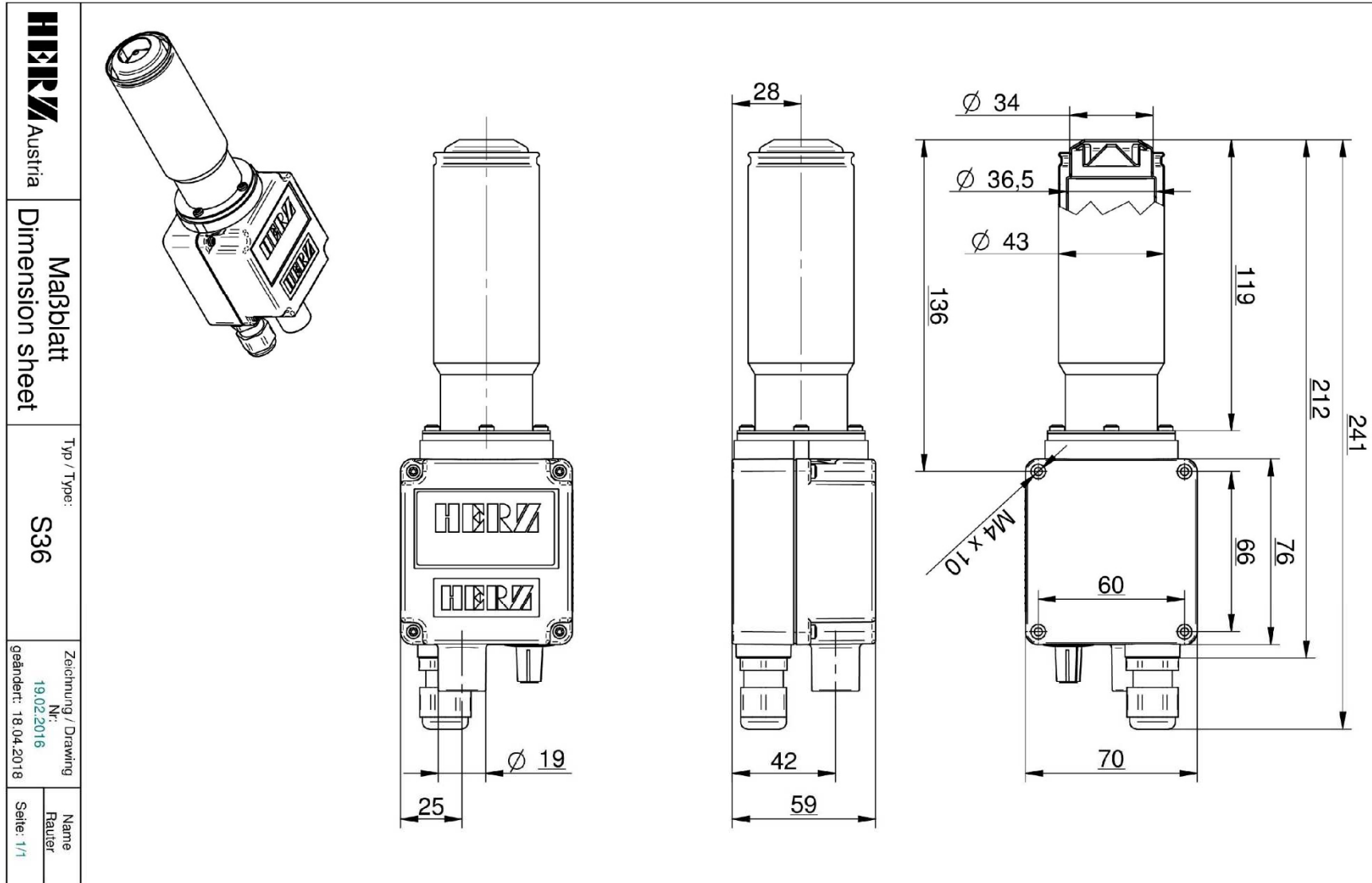
Measuring point: 3.0 mm after the air outlet pipe adapter – without nozzle, measured at the hottest point
Hose length: 1,0 m
Air supply: Blower 400 Volt, 50 Hz (HD = High pressure blower, MD = Medium pressure blower)
Air flow: NI / min = standard liters per minute according to DIN 1343

CAUTION: Air flow and temperature are indicative which can change due to external influences and changes air hose diameter and length!

| Blower type | Quantity, air heater type, voltage, power | Air flow at 50 Hz with heating [NI / min.] | Maximum temperature at 50 Hz [°C/°F] |
|-------------|---|--|--------------------------------------|
| HD140 | 1 x S36; 230VAC; 2,3KW | 680 | 340/644 |
| | 2 x S36; 230VAC; 2,3KW | 2 x 500 | 400/752 |
| | 4 x S36; 230VAC; 2,3KW | 4 x 310 | 540/104 |
| HD140 | 1 x S36; 230VAC; 3,3KW | 630 | 450/842 |
| | 2 x S36; 230VAC; 3,3KW | 2 x 480 | 520/968 |
| HD240 | 4 x S36; 230VAC; 3,3KW | 4 x 660 | 380/716 |

*Data without guarantee

Air heater type S36 from 1,8 to 3,3 KW



Änderungen vorbehalten / Changes reserved

Air heater type S36 from 1,8 to 3,3 KW

HERZ GmbH

Kunststoff- & Wärmetechnologie
Biberweg 1
DE – 56566 Neuwied
Tel.: +49 (0)2622-8855-0
Fax: +49 (0)2622-8855-135
Fax: +49 (0)2622-8855-136
www.herz-gmbh.com
info@herz-gmbh.com

HERZ Austria GmbH

Kunststoff- & Wärmetechnologie
Gleinser Weg 27
AT – 6141 Schönberg / Tirol
Tel.: +43 (0)5225-63113
Fax: +43 (0)5225-6311385
www.herz-austria.at
herz.schoenberg@herz-gmbh.com

HERZ Hungária Kft.

Műanyag- és hőlégtéchnika
Pesti út 284
HU – 2225 Üllő
Tel.: +36 (06)29-522400
Fax: +36 (06)29-522410
www.herz-hungaria.hu
herz@herz-hungaria.hu

HERZ Bulgaria OOD

Boul. Assen Yordanov 10
BG – 1592 Sofia
Tel.: +359 (0)2-979035
www.herz-bulgaria.com
office@herz-bulgaria.com

HERZ GmbH

Kunststoff- & Wärmetechnologie
Am Arenberg 26A
DE – 86456 Gablingen
Tel.: +49 (0)8230-85085
Fax: +49 (0)8230-85087
www.herz-gmbh.com
robert.einberger@herz-gmbh.com

HERZ Austria GmbH

Kunststoff- & Wärmetechnologie
Johann-Galler-Str. 20 IZ – NÖ – Nord
AT – 2120 Wolkersdorf i. Weinviertel
Tel.: +43 (0)2245-82494-0
Fax: +43 (0)2245-82494-9
www.herz-austria.at
herz.wolkersdorf@herz-gmbh.com

HERZ Polska Sp.z o.o.

Technologie obróbki tworzyw sztucznych
Ul. Kostrzyńska 30
PL – 02-979 Warszawa
Tel.: +48 (0)22-8428583
Fax: +48 (0)22-8429700
www.herz-polska.pl
herz@herz-polska.pl