



OMNIMAX[®] Indoor Dipole

AP-Dipole-C-IW-S2-BL

The AP-Dipole-C-IW-S2-BL antenna is an ultra-wideband 4G LTE externally mounted antenna providing high efficiency for IoT and M2M applications for indoor cellular modules, modems, and gateways. This antenna outperforms competing products on the market and provides coverage for all cellular standards including CDMA, DCS, PCS, and GSM 2G, 3G, and 4G frequency bands in use globally.

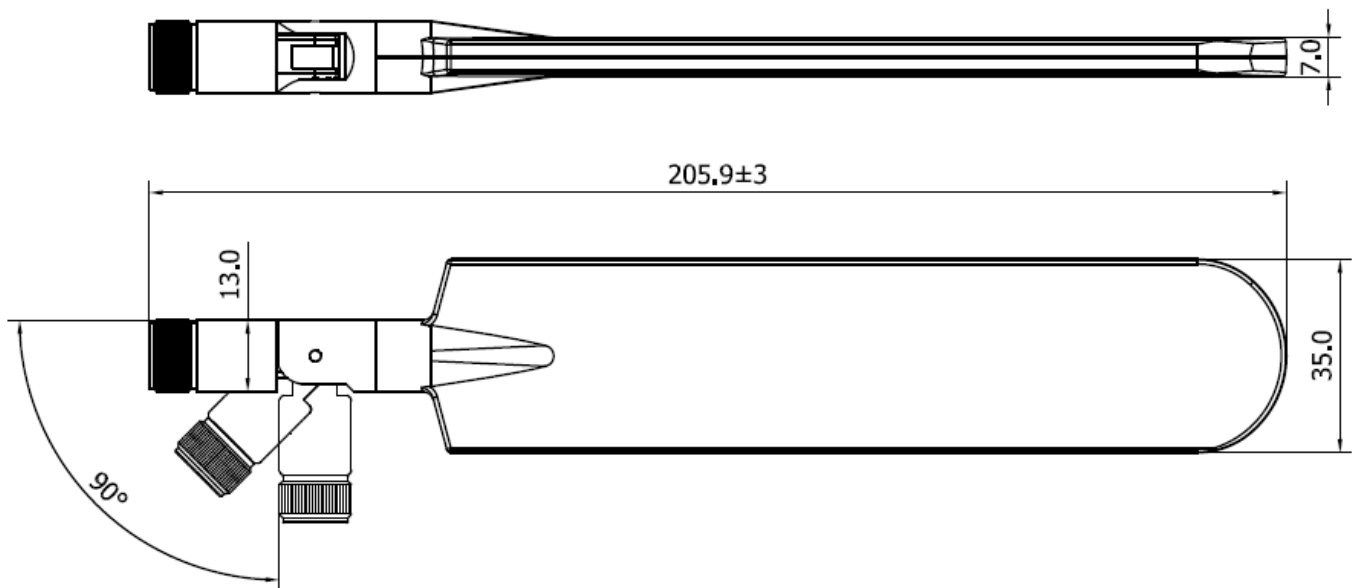
- Omni-directional dipole antenna
- LoRa IoT band coverage (902-928 MHz)
- High efficiency

Configuration

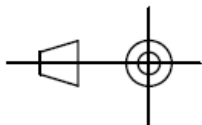
AP-Dipole-C-IW-S2-BL

Multi-band (0.7 to 2.7 GHz), provides international coverage of all cellular bands, as well as ISM band coverage for LoRa and Sigfox / High efficiency (>70%), highly omni-directional coverage / 3.7 dBi nominal peak gain / Rotatable 90° on base hinge, Indoor Antenna, Wide, SMA connector, Black

Dimensions



Drawing Style



Unless otherwise specified, tolerances are +/-0.2mm

| Specifications and Interface | |
|------------------------------|--|
| Standard | LTE |
| Frequency Range | 703-960 MHz; 1710-2170 MHz; 2300-2400 MHz; 2500-2690 MHz |
| Peak Gain | -0.2 dBi @ 700 MHz; 1.9 dBi @ 850 MHz; 3.5 dBi @ 960 MHz; 3.7 dBi @ 1710 MHz; 1.5 dBi @ 1990 MHz; 2.4 dBi @ 2170 MHz; 2.6 dBi @ 2400 MHz; 4.7 dBi @ 2550 MHz; 5.6 dBi @ 2700 MHz |
| VSWR | < 2:1 |
| Feed Impedance | 50 ohms |
| Power Handling | 30 dBm |
| Interface | SMA Male |
| Dimensions | 205.9 mm(L) x 35 mm(W) x 7.7 mm(H) |
| Weight | 40 g |
| Temperature Range | Operating -30°C to + 75°C Storage -30°C to + 75°C |
| Humidity Range | 5 to 95% |